



Chipsmall Limited consists of a professional team with an average of over 10 year of expertise in the distribution of electronic components. Based in Hongkong, we have already established firm and mutual-benefit business relationships with customers from,Europe,America and south Asia,supplying obsolete and hard-to-find components to meet their specific needs.

With the principle of “Quality Parts,Customers Priority,Honest Operation,and Considerate Service”,our business mainly focus on the distribution of electronic components. Line cards we deal with include Microchip,ALPS,ROHM,Xilinx,Pulse,ON,Everlight and Freescale. Main products comprise IC,Modules,Potentiometer,IC Socket,Relay,Connector.Our parts cover such applications as commercial,industrial, and automotives areas.

We are looking forward to setting up business relationship with you and hope to provide you with the best service and solution. Let us make a better world for our industry!



Contact us

Tel: +86-755-8981 8866 Fax: +86-755-8427 6832

Email & Skype: info@chipsmall.com Web: www.chipsmall.com

Address: A1208, Overseas Decoration Building, #122 Zhenhua RD., Futian, Shenzhen, China



4

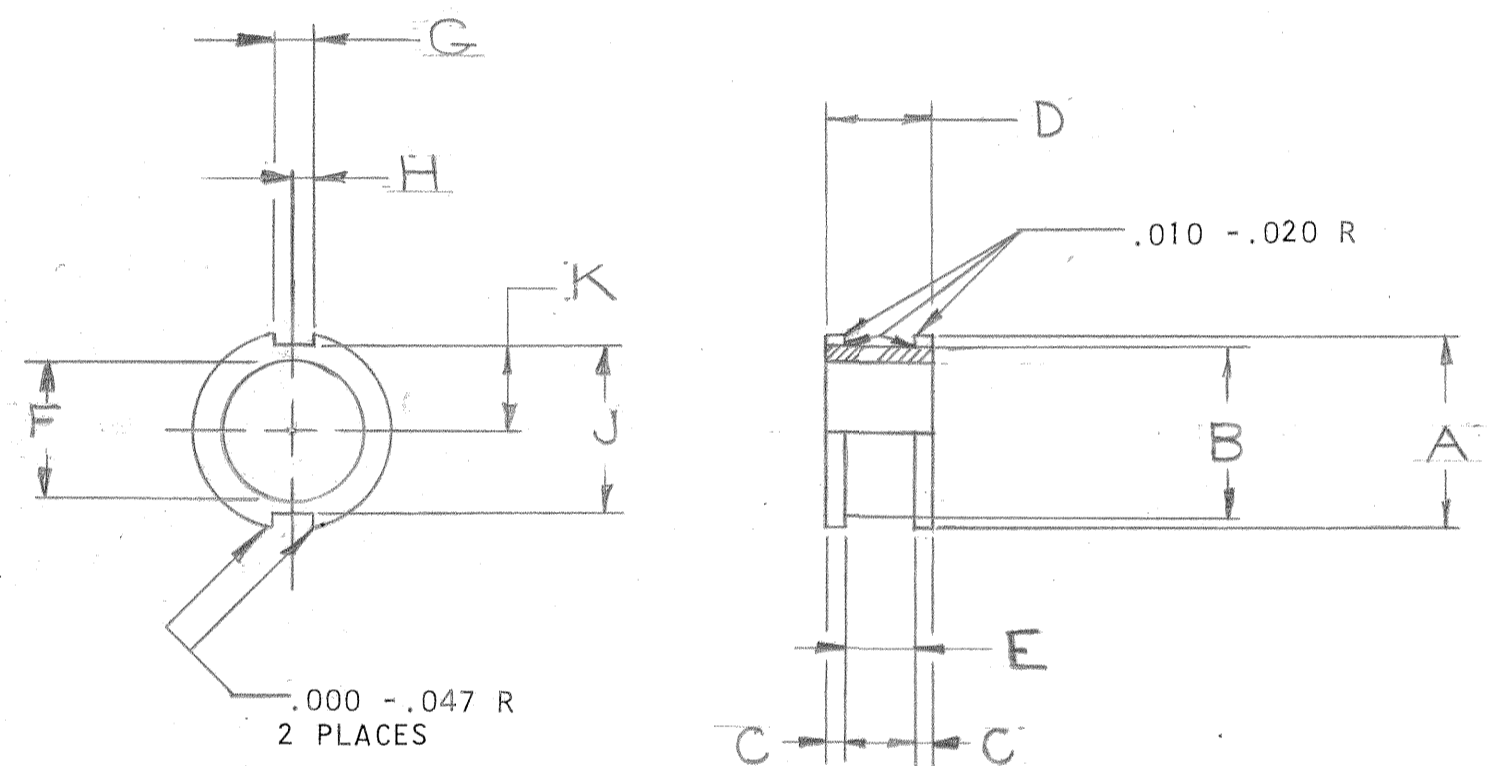
3

2

1

PART NUMBER	A DIA	B DIA	C	D REF	E	F DIA	G	H	J	K	RELEASE
10-36565-101	.344	.250	.062	.468	.344	.125	.125	.062	.250	.125	24708-41
-121	.406	.312				.125	.125		.312	.156	24708-41
-122	.406	.312				.188	.125		.312	.156	24600-4
-141	.532	.438				.125	.156	.078	.438	.219	24708-41
-142						.250					24708-41
-143						.312					24600-4
-161	.656	.562				.250			.562	.281	24708-41
-162						.312					24600-4
-163						.375					24708-41
-164						.460					32608-122 PPL
-181	.719	.625				.250	.219	.109	.625	.312	24708-41
-182						.375					24708-41
-183						.500					24600-4
-201	.844	.750	.094	.532		.250			.750	.375	24708-41
-202						.500					24708-41
-203						.625					24600-4
-204						.438					36536-129
-205						.312					
-206						.562					
-221						.250					24708-41 INACTIVE
-222						.500					
-223						.625					
-231	1.094	1.000				.625	.281	.141	1.000	.500	32524-172 C2
-232						.800					32524-172 C2
-233						.828					37959-4
-234						.375					
-241	1.032	.938				.250			.938	.469	24708-41
-242						.500					
-243						.625					
-244						.750					24600-4
-245						.797					37959-4
-251	1.235	1.141				.750			1.141	.572	32524-172 C2
-252						1.000				.572	32524-172 C2
-253						.625				.571	36508-253
-281	1.032	.938				.250			.938	.469	24708-41 INACTIVE
-282						.500					
-283						.625					

REL NO. 24600-4		REVISIONS		
CHG NO.	SYM	DESCRIPTION	DATE	APPROV.
47513-25	A2	REDRAWN, PPL SAME SIZE	8-4-67 JAGGER	<i>Jagger</i>
96286	B	(CII) REVISED MATERIAL SPEC BLOCK	7-6-05 JED	<i>JED</i>



DRAWING CONTROLLED BY ELECTRICAL CONNECTOR DESIGN GROUP

ITEM	QTY REQD	PART NUMBER	DESCRIPTION	NOTE
PARTS LIST				
UNLESS OTHERWISE SPECIFIED		DRAWN: B.F.	DATE: 9-19-49	THE Bendix CORPORATION ELECTRICAL COMPONENTS DIVISION SIDNEY NEW YORK U.S.A.
LINEAR DIMENSIONS ARE IN INCHES. TOLERANCES: .XXX ± .010, .XX ± .03, X ± .1, ANGLES ± 2°. OTHER STANDARDS PER 9-3800 AND MIL-STD-8. NOTE REF		CHECKED: <i>Balantis</i>	DATE: 8-24-67	
MATERIAL SPEC SYNTHETIC RUBBER 9-1864		MATERIAL: <i>epoxy</i>	STANDARDS: <i>Balantis</i>	TITLE: GROMMET, CABLE CLAMP
PROCESS SPEC		DRAFTING: <i>Stewart</i>	ENGINEERING: <i>J. Jagger</i>	SIZE: C
9-3764 SEE NOTE 1		DEVELOPMENT:		CODE IDENT NO. 77820
10-36559				10-36565
10-36560				
NEXT ASSEMBLY				SCALE: NONE WT REF SHEET 1 OF 2

1. ENGINEERING SOURCE APPROVAL REQUIRED.

NOTES:

4

3

2

1

PART NUMBER	A DIA	B DIA	C	D REF	E	F DIA	G	H	J	K	RELEASE
10-36565-284	1.032	.938	.094	.532	.344	.750	.281	.141	.938	.469	24708-41 INACTIVE
--321	1.344	1.250	.125	.781	.531	.375	.281	.141	1.250	.625	24708-41
--322						.625					
-323						.875					
-324						1.000					24600-4
-325						1.062					38532-36
-326						1.125					38532-48
-331	1.625	1.531				1.250			1.531	.766	32524-172 C2
-332						1.328					32524-172 C2
-333						1.156					36536-168
-361	1.469	1.375				.625			1.375	.688	24708-41
-362						.875					
-363						1.000					
-364						1.125					25600-4
-371	1.812	1.719				1.375			1.719	.860	32524-172 C2
-372						1.469					36536-102
-373						1.531					
-401	1.719	1.625				.625			1.625	.812	24708-41 C2
-402						.875					
-403						1.000					
-404						1.125					
-411	2.125	2.031				1.656			2.031	1.016	
-441	2.369	2.219				2.000			2.219	1.109	
-442						1.906					36524-502
-443						1.750					36536-129
-481	2.588	2.438				2.000			2.438	1.219	
-482	2.588	2.438				2.188			2.438	1.219	38536-119

REL NO.		REVISIONS		
CHG NO.	SYM	DESCRIPTION	DATE	APPROVED
	A2 B	SEE SHEET 1 FOR ALL CHANGES		

D

D

C

C

B

B
E 1036565

A

A

SEE SHEET 1
NOTES:

10-36560
10-36559
NEXT ASSEMBLY

ITEM	QTY REQD	PART NUMBER	DESCRIPTION	NOTE
PARTS LIST				
UNLESS OTHERWISE SPECIFIED LINEAR DIMENSIONS ARE IN INCHES. TOLERANCES: .XXX ± .010, .XX ± .03, X ± .1, ANGLES ± 2°. OTHER STANDARDS PER 9-3800 AND MIL-STD-8. NOTE REF		DRAWN: B.F. CHECKED: <i>Balantini</i> MATERIAL: <i>RPE 8/24/67</i>	DATE: 10-6-49 DATE: 8-24-67	THE Bendix CORPORATION ELECTRICAL COMPONENTS DIVISION SIDNEY NEW YORK U.S.A.
MATERIAL SPEC SEE SHEET 1	PROCESS SPEC	STANDARDS: <i>Balantini</i> DRAFTING: <i>Admet</i> ENGINEERING: <i>AMZ</i> DEVELOPMENT:	TITLE: GROMMET, CABLE CLAMP	
		SIZE: C	CODE IDENT NO.: 77820	10-36565
		SCALE: NONE	WT:	REF:
				SHEET 2