



Chipsmall Limited consists of a professional team with an average of over 10 year of expertise in the distribution of electronic components. Based in Hongkong, we have already established firm and mutual-benefit business relationships with customers from,Europe,America and south Asia,supplying obsolete and hard-to-find components to meet their specific needs.

With the principle of "Quality Parts,Customers Priority,Honest Operation,and Considerate Service",our business mainly focus on the distribution of electronic components. Line cards we deal with include Microchip,ALPS,ROHM,Xilinx,Pulse,ON,Everlight and Freescale. Main products comprise IC,Modules,Potentiometer,IC Socket,Relay,Connector.Our parts cover such applications as commercial,industrial, and automotives areas.

We are looking forward to setting up business relationship with you and hope to provide you with the best service and solution. Let us make a better world for our industry!



## Contact us

Tel: +86-755-8981 8866 Fax: +86-755-8427 6832

Email & Skype: info@chipsmall.com Web: www.chipsmall.com

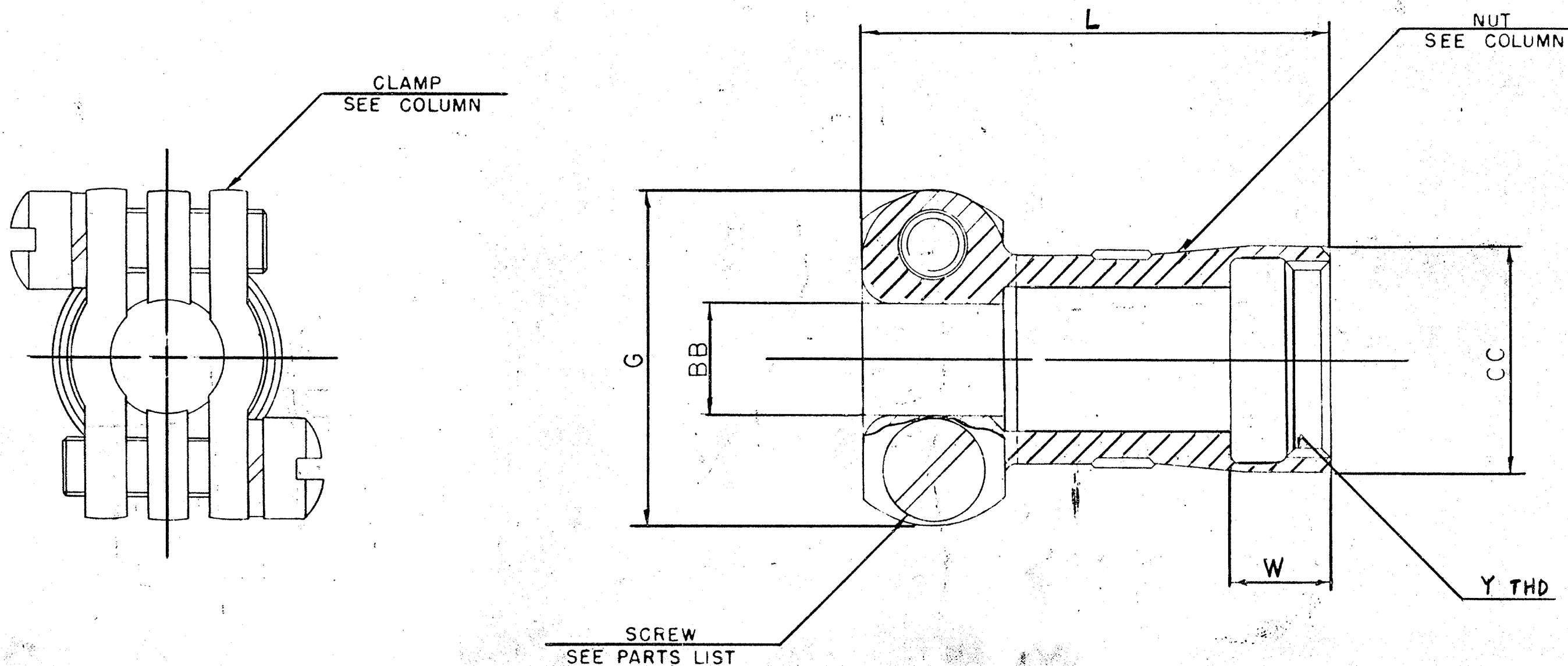
Address: A1208, Overseas Decoration Building, #122 Zhenhua RD., Futian, Shenzhen, China



ASSEMBLY NUMBER	DETAILS			G MAX	L MAX	BB DIA +.000 -.010	CC DIA	Y THREAD		W +.000 -.010	SCREW SIZE
	NUT	CLAMP						SIZE-CLASS 2B	PITCH DIA		
		PART NUMBER	QTY								
10-101987-8	10-101970-8	10-130511-8	2	.775	1.190	.250	.540	.4375-28UNEF	.4143-.4189	.215	6-32NC
-10	-10	-10		.837		.312	.665	.5625-24UNEF	.5354-.5405		
-12	-12	-12		.963		.438	.793	.6875-24UNEF	.6604-.6656		
-14	-14	-14		1.087		.562	.910	.8125-20UNEF	.7800-.7857		
-16	-16	-16		1.150	1.292	.624	1.037	.9375-20UNEF	.9050-.9109		
-18	-18	-18		1.400	1.292	.750	1.155	1.0625-18UNEF	1.0264-1.0326		8-32NC
-20	-20	-18		1.400	1.332	.750	1.281	1.1875-18UNEF	1.1514-1.1577	.312	
-22	-22	-20		1.587	1.332	.938	1.408	1.3125-18UNEF	1.2764-1.2827	.312	
-24	-24	-22		1.681	1.332	1.000	1.533	1.4375-18UNEF	1.4014-1.4079	.312	

2											
3											
4											
5	42524-303										
A1	43524-558										
A2	43524-1481										
A3	43524-791										
A4	43524-785										
A5	53536-78										
B	23813										
C	84450										
D	86810										

SUPERCEDES PRIOR ISSUE  
OF THE SAME REVISION



10-101987

Scanned

1. TO COMPLETE ASSEMBLY NO. AND DETAIL NO., ADD APPLICABLE LAST DIGIT SUFFIX NO FOR DESIRED FINISH:

CHROMATE TREATED	SUFFIX-XX0
BRIGHT CADMIUM PLATE	SUFFIX-XX1
BLACK ANODIZE	SUFFIX-XX2
CADMIUM PLATE OLIVE DRAB	SUFFIX-XX3
GRAY ANODIZE	SUFFIX-XX4
ANODIC COATING	SUFFIX-XX5
NICKEL PLATED	SUFFIX-XX6
CADMIUM PLATE NICKEL BASE	SUFFIX-XX7
BRIGHT NICKEL	SUFFIX-XX8
OLIVE DRAB CADMIUM NICKEL BASE PLATE	SUFFIX-XX9
CHROMIUM PLATED	SUFFIX-XXE
NICKEL ALLOY PLATE	SUFFIX-XXG

RELEASE  
42524-119  
33508-95

BLACK ZINC ALLOY CONDUCTIVE PLATE SUFFIX-XXX  
BLACK ZINC ALLOY PLATE SUFFIX-XXY

43524-558  
42524-303  
43524-1481  
53536-78

SCINTILLA MAGNETO DIVISION		TO ORDER UNLESS OTHERWISE SPECIFIED	
CLAMP ASSEMBLY, CABLE STRAIN RELIEF, ELECTRICAL CONNECTOR, TYPE PC(I)		MATERIAL SPECIFICATION	
SEE NOTE I		PART NUMBER	
		10-117600/624	
		71-150700/724	
		SEE PARTS LIST	
		10-101987	

10-101987