



Chipsmall Limited consists of a professional team with an average of over 10 year of expertise in the distribution of electronic components. Based in Hongkong, we have already established firm and mutual-benefit business relationships with customers from,Europe,America and south Asia,supplying obsolete and hard-to-find components to meet their specific needs.

With the principle of “Quality Parts,Customers Priority,Honest Operation,and Considerate Service”,our business mainly focus on the distribution of electronic components. Line cards we deal with include Microchip,ALPS,ROHM,Xilinx,Pulse,ON,Everlight and Freescale. Main products comprise IC,Modules,Potentiometer,IC Socket,Relay,Connector.Our parts cover such applications as commercial,industrial, and automotives areas.

We are looking forward to setting up business relationship with you and hope to provide you with the best service and solution. Let us make a better world for our industry!



Contact us

Tel: +86-755-8981 8866 Fax: +86-755-8427 6832

Email & Skype: info@chipsmall.com Web: www.chipsmall.com

Address: A1208, Overseas Decoration Building, #122 Zhenhua RD., Futian, Shenzhen, China





ATHD Connector Series

The heavy duty ATHD connector series for size 12 and size 8 power contacts are sealed, single pole, in-line connection systems to replace splices and/or provide power wherever needed. These thermoplastic connectors are field installable and repairable and can thus replace expensive and unrepairable splices. The power connectors are ruggedized and designed for high vibration applications in the Heavy Equipment and Mining markets.

Additional styles and custom solutions to mate to the ATHD plugs are available upon request, including higher temperature resin and seals for harsh fluid applications.

Features:

- Size 8 crimp contacts are rated to 70 amps*
- Size 12 crimp contacts are rated to 35 amps*
- Both will meet 100 mating cycles
- Designed for temperatures of -55 °C to 125 °C
- Operating voltage of 500 VAC
- Dielectric withstanding voltage of 1500 VAC
- RoHS compliant
- Clip slots for a variety of mounting solutions
- IP67 rated

* Using Amphenol's exclusive RADSOK® technology



SPECIFICATIONS

	Size 12 System	Size 8 System
Current Rating	35A with RADSOK®, 25A with standard contacts	70A with RADSOK®, and 60A with standard contacts
Contact Quantity	1	1
Contact Size	12 AWG	8 AWG
Operating Temperature	-55 °C to 125 °C with 150°C upon request	-55 °C to 125 °C with 150°C upon request
Contact Retention	133N	156N
Mating Cycles	100	100
Insulation Resistance	1000MΩ Min. (at 25 °C)	1000MΩ Min. (at 25 °C)
Dielectric Withstanding Voltage	1500 AC (RMS)	1500 AC (RMS)
Moisture Resistance	IP67 (mated)	IP67 (mated)
Operating Voltage	500 VAC	500 VAC
Allowable Wire Size	16-12 AWG	10-8 AWG

PART NUMBERS FOR TERMINALS

ATHD - 1 P - N - S - 12 (XX)


Series One Terminal P=Pin
S=Socket

Plating =
G = Gold
S = Silver
(Machined only)
N = Nickel
T = Tin

Size (8 or 12)

Special Additions:
(16) for 16 Gauge Cable (Size 12 only)
(R) for Radsok (Machined only)

S = Stamped & Formed
(Size 12 only)
M = Machined



**ATHD size 12
with Stamps and Formed Contacts**

PART NUMBERS FOR PLASTIC

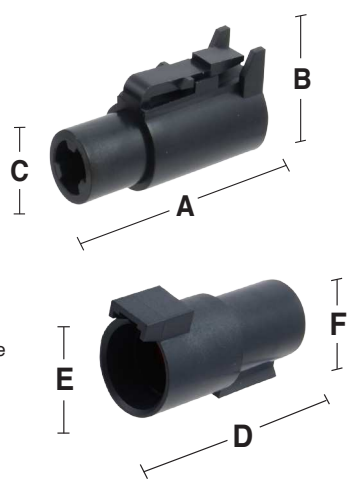
Note: Housing Plug must use the Socket terminal (PS) and Housing Receptacle must use Pin terminal (RP).

ATHD - 1 PS - 12 (XX)

Series One Terminal Contact Size (8 or 12)

Housing +Terminal = (PS for Plug with
Socket or RP for Receptacle with Pin)

Special Additions:
(16) for 16 Gauge Cable



A, B, C, D, E, F

	Size 12 System for 12 gauge cable	Size 12 System for 16 gauge cable	Size 8 System
Plug	ATHD-1PS-12	ATHD-1PS-12 (16)	ATHD-1PS-8
Receptacle	ATHD-1RP-12	ATHD-1RP-12 (16)	ATHD-1RP-8

CONTACT SIZE	ATHD PLUG			ATHD RECEPTACLE		
	OVERALL LENGTH A	OVERALL HEIGHT B	OVERALL WIDTH C	OVERALL LENGTH D	OVERALL HEIGHT E	OVERALL WIDTH F
12	1.498(38.05)	.771(19.58)	.570(14.48)	2.073(52.65)	.850(21.59)	.710(18.08)
8	1.498(38.05)	.861(21.87)	.660(16.76)	2.073(52.65)	.940(23.88)	.800(20.32)

Notice: Specifications are subject to change without notice. Contact your nearest Amphenol Corporation Sales Office for the latest specifications. All statements, information and data given herein are believed to be accurate and reliable but are presented without guarantee, warranty, or responsibility of any kind, expressed or implied. Statements of suggestions concerning possible use of our products are made without representation or warranty that any such use is free of patent infringement and are not recommendations to infringe any patent. The user should assume that all safety measures are indicated or that other measures may not be required. Specifications are typical and may not apply to all connectors.

For further information on your individual application requirements, contact: Amphenol Corporation

North America:
Amphenol Industrial Operations
180 N. Freepoint Drive, Plant 4
Nogales, AZ 85621
Tel: (888) 364-9011
Fax: (520) 285-5134

Europe:
Amphenol Industrial Operations Europe
Via Barbaiana 5
1-20020 Lainate (MI) Italy
Tel: +39 02 93254.204
Fax: +39 02 93254.444

Middle East:
Amphenol Middle East Enterprises FZE
Office C-37 PO Box 21107
Ajman Free Zone, UAE
Tel: +9 716-7422494
Fax: +9 716-7422941

Asia:
Amphenol Technology (Zhuhai) Co., Ltd.
No. 63 Xing Han Road, San Zao Town
Jin Wan District, Zhuhai City, China 519040
Tel: +86 756-3989760
Fax: +86 756-3989768

Email: tech@amphenol-aio.com

Email: info@amphenol-aio.com

Email: jhussain@amphenol-industrial.com

Email: enquiry@amphenol-aio.com