



Chipsmall Limited consists of a professional team with an average of over 10 year of expertise in the distribution of electronic components. Based in Hongkong, we have already established firm and mutual-benefit business relationships with customers from,Europe,America and south Asia,supplying obsolete and hard-to-find components to meet their specific needs.

With the principle of “Quality Parts,Customers Priority,Honest Operation,and Considerate Service”,our business mainly focus on the distribution of electronic components. Line cards we deal with include Microchip,ALPS,ROHM,Xilinx,Pulse,ON,Everlight and Freescale. Main products comprise IC,Modules,Potentiometer,IC Socket,Relay,Connector.Our parts cover such applications as commercial,industrial, and automotives areas.

We are looking forward to setting up business relationship with you and hope to provide you with the best service and solution. Let us make a better world for our industry!



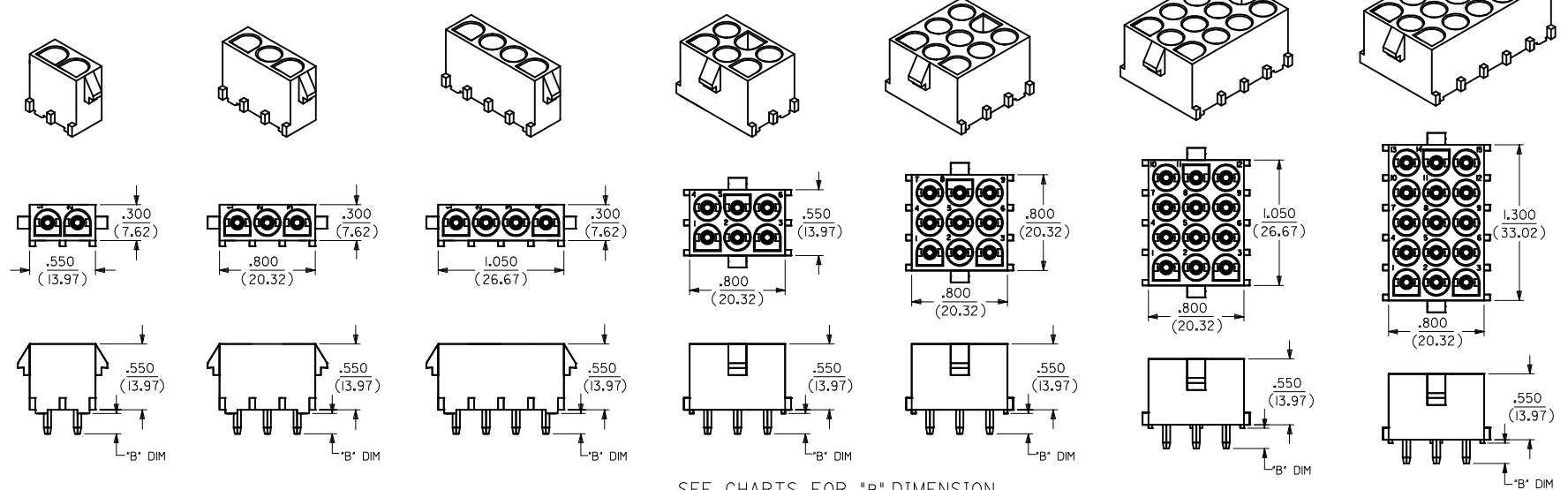
Contact us

Tel: +86-755-8981 8866 Fax: +86-755-8427 6832

Email & Skype: info@chipsmall.com Web: www.chipsmall.com

Address: A1208, Overseas Decoration Building, #122 Zhenhua RD., Futian, Shenzhen, China

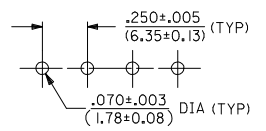




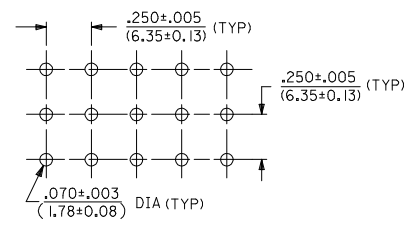
SEE CHARTS FOR "B" DIMENSION

P.C. BOARD MOUNTING DIMENSIONS

2, 3, & 4 POSITION HEADER ASSEMBLIES



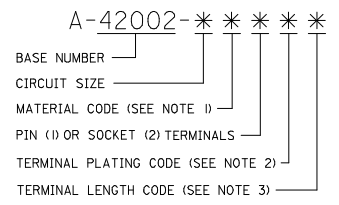
6, 9, 12 & 15 POSITION HEADER ASSEMBLIES



NOTES:

- MATERIAL CODES:
 A = NYLON (PA66), UL94V-2, COLOUR: NATURAL
 C = POLYESTER (PBT), UL94V-0, COLOR: NATURAL(WHITE)
 D = NYLON (PA66), UL94V-2, COLOR: BLACK
- PLATING CODES: A = ES-88-P921
 140 Min(3.5M) MIN 240 Min(6M) MAX OVERALL TIN HOT-DIPPED
- TERMINAL LENGTH CODES:
 1 = TERMINAL FOR .062/(1.57) THICK PC BOARD
- DIMENSIONS ARE FOR REFERENCE ONLY UNLESS INDICATED OTHERWISE
- HEADER ASSEMBLY HOUSING MATE WITH:
 PLUG HOUSINGS, .084/(2.13) DIA, SERIES 42021
- CONTACTS ARE ON .250/(6.35) GRID CENTERLINE SPACING
- REFER PACKAGING SPECIFICATION
 - PK-43255-001 FOR 2,3 & 4 CIRCUIT
 - PK-43255-003 FOR 6,9,12 & 15 CIRCUIT

LEGEND:



RoHS COMPLIANT

REMOVED SERIES 36757 EC NO: Z016-0114 DRWN:SS06 CHKD: APPR: SHMARG 2016/05/20 2016/08/30	QUALITY SYMBOLS	GENERAL TOLERANCES (UNLESS SPECIFIED)		DIMENSION STYLE	SCALE	DESIGN UNITS	THIRD ANGLE PROJECTION
	▽=0	mm	INCH	IN/MM	NTS	INCH	☉ □
	▽=0	4 PLACES ±---	±---	DRAWN BY	DATE	TITLE	
	▽=0	3 PLACES ±---	±0.010	SSUDHIR	2004/06/08	HEADER HOUSING ASSEMBLY	
		2 PLACES ±0.25	±0.014	CHECKED BY	DATE	WITHOUT POLARISING PEG	
		1 PLACE ±0.36	±---	GJLOWE	2004/06/08		
		0 PLACE ±---	±---	APPROVED BY	DATE		
				GJLOWE	2004/06/08		
		ANGULAR ±1/2°		MATERIAL NO.	DOCUMENT NO.		
		DRAFT WHERE APPLICABLE MUST REMAIN WITHIN DIMENSIONS		SEE CHART	SDA-42002-*****		
		SIZE A2		THIS DRAWING CONTAINS INFORMATION THAT IS PROPRIETARY TO MOLEX INCORPORATED AND SHOULD NOT BE USED WITHOUT WRITTEN PERMISSION			
							SHEET NO. 1 OF 2

PART NO.	ENG. NO.	CIRCUIT SIZE	MATERIAL (SEE NOTE 1)	HOUSING PART NO.	PLATING (SEE NOTE 2)	TERMINAL PART NO.	*B* DIM ±.015
10-84-4020	A-42002-2A1A1	2	A	42002-2A	A	42005-P921A	.17/(4,3)
10-84-5020	A-42002-2C1A1		C	42002-2C	A	42005-P921A	
10-84-4022	A-42002-2A2A1		A	42002-2A	A	42006-P921A	
10-84-5021	A-42002-2C2A1		C	42002-2C	A	42006-P921A	
367590101	36759-0101		D	366480042	A	42005-P921A	
367590141	36759-0141		D	366480042	A	42006-P921A	
10-84-4030	A-42002-3A1A1	3	A	42002-3A	A	42005-P921A	.17/(4,3)
10-84-5030	A-42002-3C1A1		C	42002-3C	A	42005-P921A	
10-84-4032	A-42002-3A2A1		A	42002-3A	A	42006-P921A	
10-84-5031	A-42002-3C2A1		C	42002-3C	A	42006-P921A	
367590102	36759-0102		D	366480043	A	42005-P921A	
367590142	36759-0142		D	366480043	A	42006-P921A	
10-84-4040	A-42002-4A1A1	4	A	42002-4A	A	42005-P921A	.17/(4,3)
10-84-5040	A-42002-4C1A1		C	42002-4C	A	42005-P921A	
10-84-4042	A-42002-4A2A1		A	42002-4A	A	42006-P921A	
10-84-5041	A-42002-4C2A1		C	42002-4C	A	42006-P921A	
367590103	36759-0103		D	366480044	A	42005-P921A	
367590143	36759-0143		D	366480044	A	42006-P921A	
10-84-4060	A-42002-6A1A1	6	A	42002-6A	A	42005-P921A	.17/(4,3)
10-84-5060	A-42002-6C1A1		C	42002-6C	A	42005-P921A	
10-84-4062	A-42002-6A2A1		A	42002-6A	A	42006-P921A	
10-84-5061	A-42002-6C2A1		C	42002-6C	A	42006-P921A	
367590104	36759-0104		D	366480045	A	42005-P921A	
367590144	36759-0144		D	366480045	A	42006-P921A	
10-84-4090	A-42002-9A1A1	9	A	42002-9A	A	42005-P921A	.17/(4,3)
10-84-5090	A-42002-9C1A1		C	42002-9C	A	42005-P921A	
10-84-4092	A-42002-9A2A1		A	42002-9A	A	42006-P921A	
10-84-5091	A-42002-9C2A1		C	42002-9C	A	42006-P921A	
367590105	36759-0105		D	366480046	A	42005-P921A	
367590145	36759-0145		D	366480046	A	42006-P921A	
10-84-4120	A-42002-12A1A1	12	A	42002-12A	A	42005-P921A	.17/(4,3)
10-84-5120	A-42002-12C1A1		C	42002-12C	A	42005-P921A	
10-84-4122	A-42002-12A2A1		A	42002-12A	A	42006-P921A	
10-84-5121	A-42002-12C2A1		C	42002-12C	A	42006-P921A	
367590106	36759-0106		D	366480047	A	42005-P921A	
367590146	36759-0146		D	366480047	A	42006-P921A	
10-84-4150	A-42002-15A1A1	15	A	42002-15A	A	42005-P921A	.17/(4,3)
10-84-5150	A-42002-15C1A1		C	42002-15C	A	42005-P921A	
10-84-4152	A-42002-15A2A1		A	42002-15A	A	42006-P921A	
10-84-5151	A-42002-15C2A1		C	42002-15C	A	42006-P921A	
367590107	36759-0107		D	366480048	A	42005-P921A	
367590147	36759-0147		D	366480048	A	42006-P921A	

RoHS COMPLIANT

REMOVED SERIES 36757 EC NO: 2016-0714 DRW: S306 CHKD: APPR: SHARG 2016/05/20 2016/08/30 D6	QUALITY SYMBOLS	GENERAL TOLERANCES (UNLESS SPECIFIED)	DIMENSION STYLE	SCALE	DESIGN UNITS	THIRD ANGLE PROJECTION
	▽=0	m/m INCH	IN/MM	NTS	INCH	
	▽=0	4 PLACES ± --- ± --- 3 PLACES ± --- ± 0.010 2 PLACES ± 0.25 ± 0.014 1 PLACE ± 0.36 ± --- 0 PLACE ± --- ± ---	DRAWN BY DATE SSUDHIR 2004/06/08	TITLE	HEADER HOUSING ASSEMBLY .084/(2.13) DIA. SERIES WITHOUT POLARISING PEG	
	▽=0	ANGULAR ± 1/2° DRAFT WHERE APPLICABLE MUST REMAIN WITHIN DIMENSIONS	CHECKED BY DATE GJLOWE 2004/06/08	APPROVED BY DATE GJLOWE 2004/06/08	DOCUMENT NO.	SDA-42002-*****
	SEE CHART	MATERIAL NO.			SHEET NO.	2 OF 2
					THIS DRAWING CONTAINS INFORMATION THAT IS PROPRIETARY TO MOLEX INCORPORATED AND SHOULD NOT BE USED WITHOUT WRITTEN PERMISSION	