



Chipsmall Limited consists of a professional team with an average of over 10 year of expertise in the distribution of electronic components. Based in Hongkong, we have already established firm and mutual-benefit business relationships with customers from,Europe,America and south Asia,supplying obsolete and hard-to-find components to meet their specific needs.

With the principle of “Quality Parts,Customers Priority,Honest Operation,and Considerate Service”,our business mainly focus on the distribution of electronic components. Line cards we deal with include Microchip,ALPS,ROHM,Xilinx,Pulse,ON,Everlight and Freescale. Main products comprise IC,Modules,Potentiometer,IC Socket,Relay,Connector.Our parts cover such applications as commercial,industrial, and automotives areas.

We are looking forward to setting up business relationship with you and hope to provide you with the best service and solution. Let us make a better world for our industry!



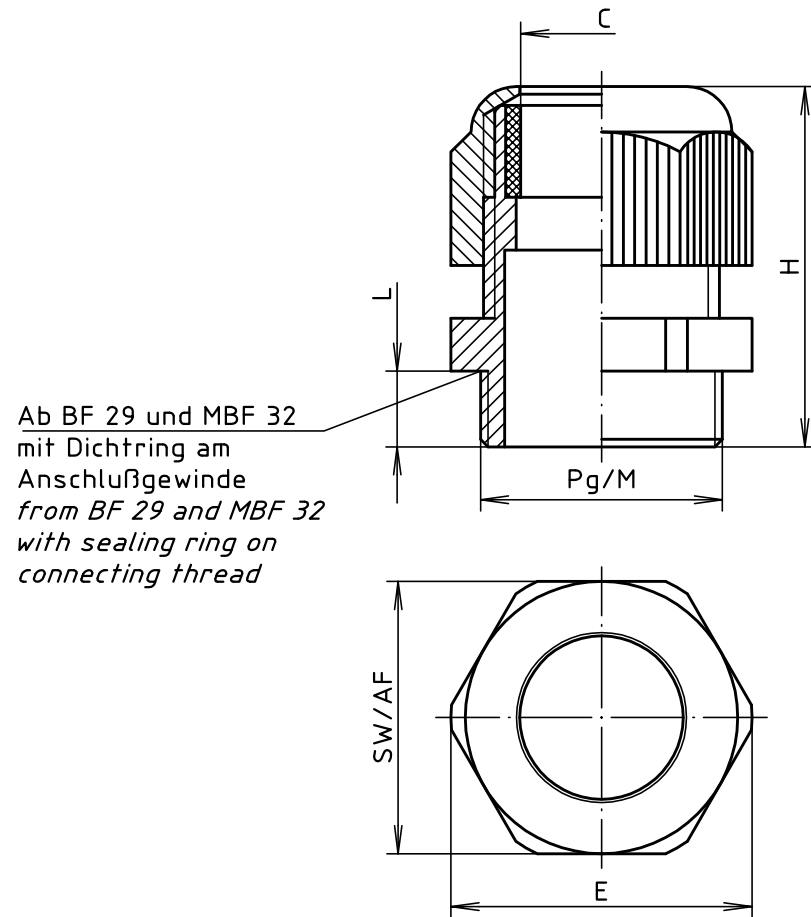
Contact us

Tel: +86-755-8981 8866 Fax: +86-755-8427 6832

Email & Skype: info@chipsmall.com Web: www.chipsmall.com

Address: A1208, Overseas Decoration Building, #122 Zhenhua RD., Futian, Shenzhen, China





Ab BF 29 und MBF 32
mit Dichtring am
Anschlußgewinde
from BF 29 and MBF 32
with sealing ring on
connecting thread

Modell / model	Pg	Außen- \emptyset outside- \emptyset		L	SW/ AF	H	E
		Pg	C				
BF 7	Pg 7	12,5	3-6,5	8	15	30,5	16,5
BF 9	Pg 9	15,2	4-8	8	19	34	21
BF 11	Pg 11	18,6	5-10	8	22	37	24,5
BF 13	Pg 13,5	20,4	6-12	9	24	39	26,9
BF 16	Pg 16	22,5	10-14	10	27	42,5	30
BF 21	Pg 21	28,3	13-18	11	33	47,5	36
BF 29	Pg 29	37	18-25	11	42	53	46
BF 36	Pg 36	47	22-32	13	53	61	59

Modell / model	M	C	L	SW/ AF		
				H	E	
MBF 12	M12x1,5	3-6	8	15	31	16,5
MBF 16	M16x1,5	5-10	8	20	35,5	22
MBF 20	M20x1,5	8-13	8	24	36	26,8
MBF 25	M25x1,5	11-17	8	29	43	32
MBF 32	M32x1,5	15-21	10	36	50	40
MBF 40	M40x1,5	19-28	10	46	51	51

Maßstab / (1:1 symbolisch/symbolical)

Zeichnungs-Nr. / Drawing-No.:
3K 0007.015.04

Artikel / Article:
Kabelverschraubung BF../MBF..
Cable gland BF../MBF..
Katalogzeichnung / Catalogue drawing

-	-
-	-
-	-
-	-
-	-
3768	20.10.05
3736	30.03.05
3397	28.10.97

Ä.Nr /
Alt-No.:

Datum /
Date:

DISK: 2 500 609
Datum / Date: 13.03.90 AK