



Chipsmall Limited consists of a professional team with an average of over 10 year of expertise in the distribution of electronic components. Based in Hongkong, we have already established firm and mutual-benefit business relationships with customers from,Europe,America and south Asia,supplying obsolete and hard-to-find components to meet their specific needs.

With the principle of “Quality Parts,Customers Priority,Honest Operation,and Considerate Service”,our business mainly focus on the distribution of electronic components. Line cards we deal with include Microchip,ALPS,ROHM,Xilinx,Pulse,ON,Everlight and Freescale. Main products comprise IC,Modules,Potentiometer,IC Socket,Relay,Connector.Our parts cover such applications as commercial,industrial, and automotives areas.

We are looking forward to setting up business relationship with you and hope to provide you with the best service and solution. Let us make a better world for our industry!



Contact us

Tel: +86-755-8981 8866 Fax: +86-755-8427 6832

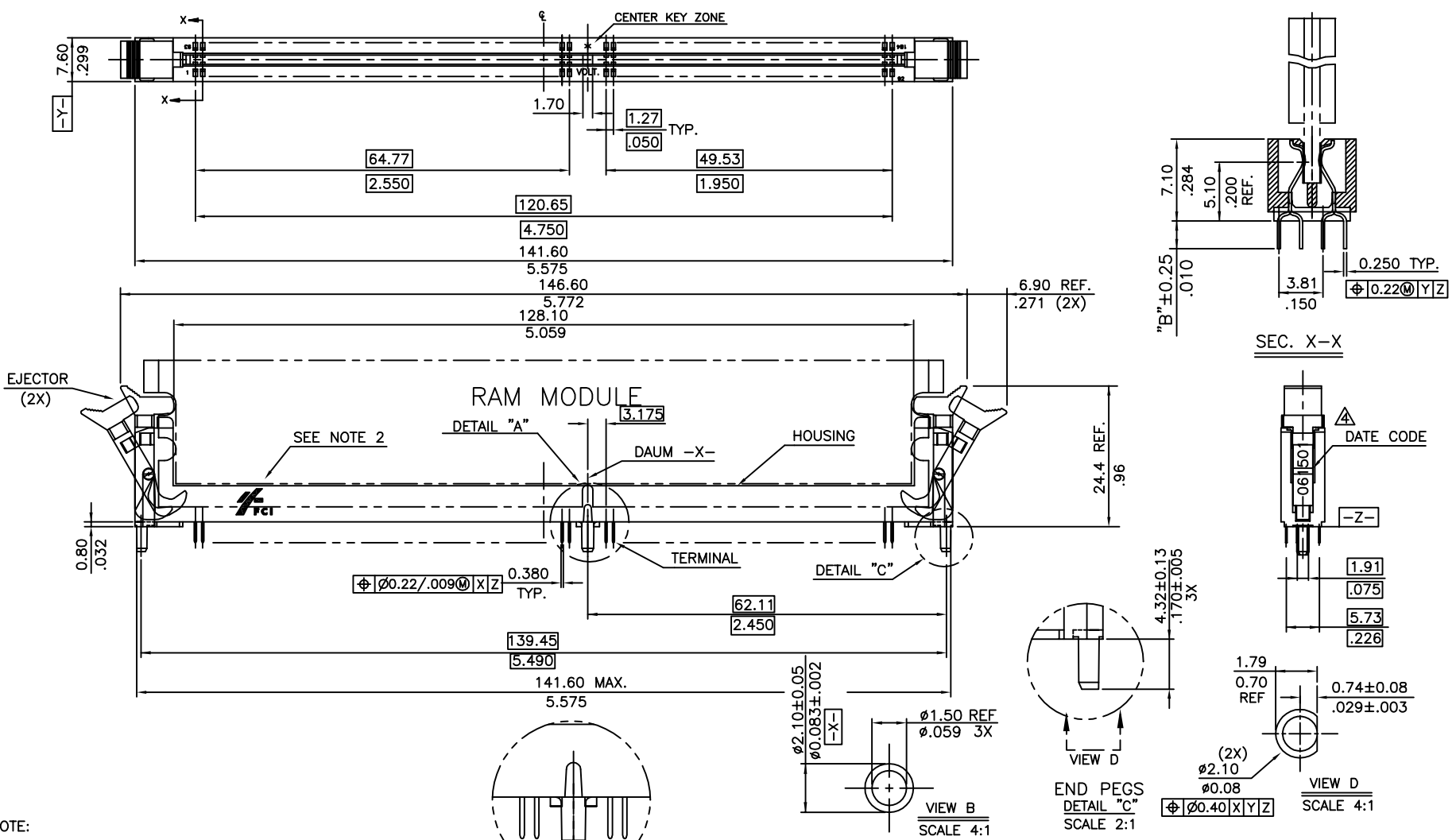
Email & Skype: info@chipsmall.com Web: www.chipsmall.com

Address: A1208, Overseas Decoration Building, #122 Zhenhua RD., Futian, Shenzhen, China



Tous droits strictement reserves. Reproduction ou communication a des tiers interdite sous quelque forme que ce soit sans autorisation ecrite du propriétaire. Propriete de c FCI. Droits de reproduction FCI.

All rights strictly reserved. Reproduction or issue to third parties in any form whatever is not permitted without written authority from the proprietor. Property of FCI. Copyright FCI.



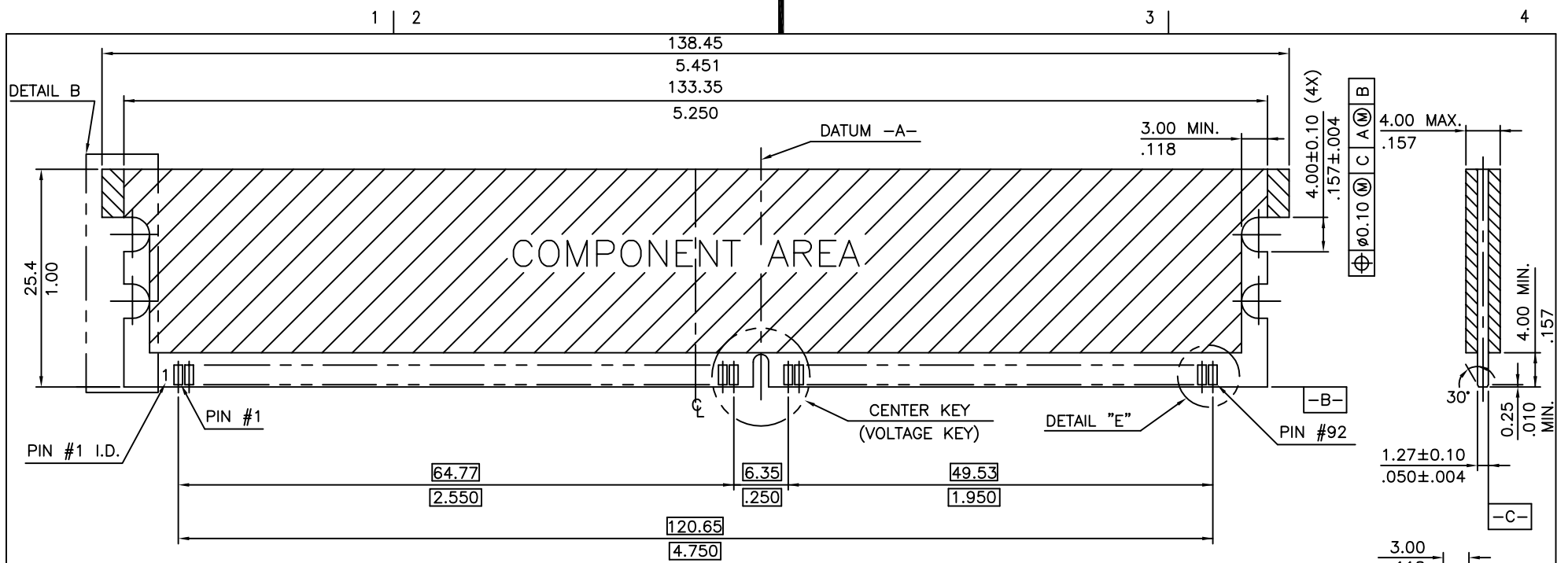
NOTE:

- MATERIAL:
HOUSING: NYLON 66 OR APPROVED EQUIVALENT, GLASS FILLED UL94V-0 RATED, COLOR BLACK.
EJECTOR: NYLON 66 OR APPROVED EQUIVALENT, GLASS FILLED UL94V-0 RATED, COLOR NATURAL.
TERMINAL: COPPER ALLOY.
- FCI LOGO TO BE APPROXIMATELY LOCATED AS SHOWN ON PRINT.
- PRODUCT SPECIFICATION: GS-12-146
- THE DATE CODE IS SHOWN "MM-DD-YY" FOR CUSTOMER SPECIAL REQUEST.
- THIS PRODUCT MEETS EUROPEAN UNION DIRECTIVES AND OTHER COUNTRY REGULATIONS AS DESCRIBED IN GS-22-008.
- THE HOUSING WILL WITH STAND EXPOSURE TO 260° PEAK TEMPERATURE FOR 10 SECONDS IN A WAVE SOLDER APPLICATION.

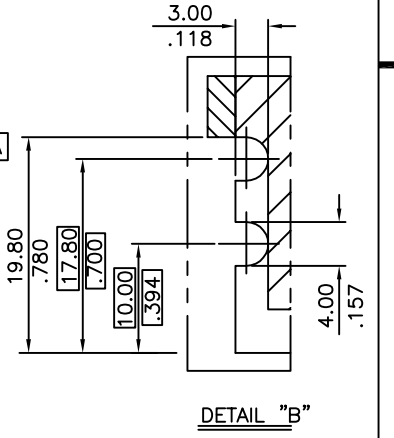
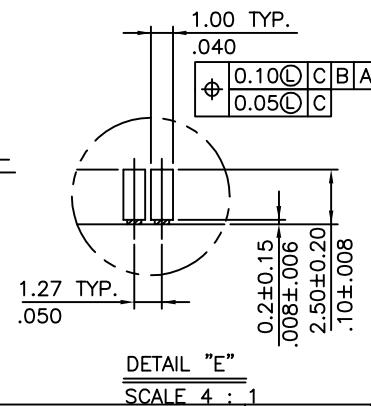
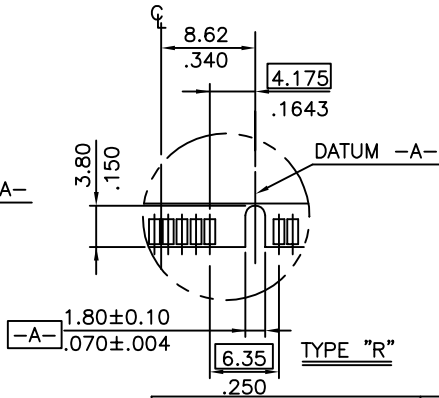
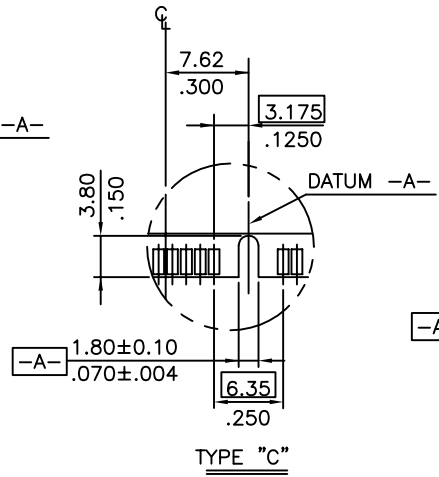
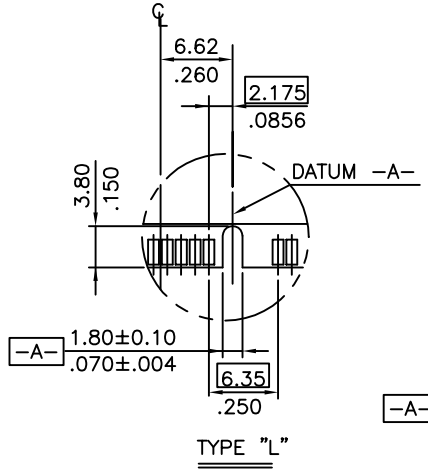
| mat'l. code | | | | tolerances unless otherwise specified | | CUSTOMER COPY | FCI | | www.fciconnect.com | | |
|-------------|-----------|----------------|----------|---------------------------------------|---------------------|---------------|----------------|-----------|--|---|--|
| ltr | ecn no | dr | date | linear | .X ±0.38/.015 | projection | title | | DDR 184P .050" 1-ROW, V/T ASS'Y PLASTIC POST | | |
| A | T20297 | M W | 10/04/02 | | .XX ±0.25/.010 | MM | product family | | DDR | | |
| B | T03-0179 | M W | 05/16/03 | angles | .XXX ±0.15/.005 | | size | | dwg no | | |
| C | T03-0435 | M W | 10/01/03 | | 0° ±2' | scale | | 1:1 | | | |
| D | pg05-0466 | K W | 11/15/05 | dr | MAGGIE WU 04/12/02 | A4 | | 10002394 | | | |
| | | | | enrg | JEFF.HSIEH 04/12/02 | sheet index | | 1 of 3 | | | |
| | | | | chr | JEFF.HSIEH 04/12/02 | revision | | D A B | | | |
| | | | | appd | JENN TSAO 04/12/02 | sheet | | 1 2 3 | | | |
| sheet index | | revision sheet | | D A B | | 1 2 3 | | cage code | | 4 | |

Tous droits strictement reserves. Reproduction ou communication a des tiers interdite sous quelque forme que ce soit sans autorisation ecrite du propriétaire. Propriete de c FCI. Droits de reproduction FCI.

All rights strictly reserved. Reproduction or issue to third parties in any form whatever is not permitted without written authority from the proprietor. Property of FCI. Copyright FCI.



RECOMMENDED MODULE LAYOUT

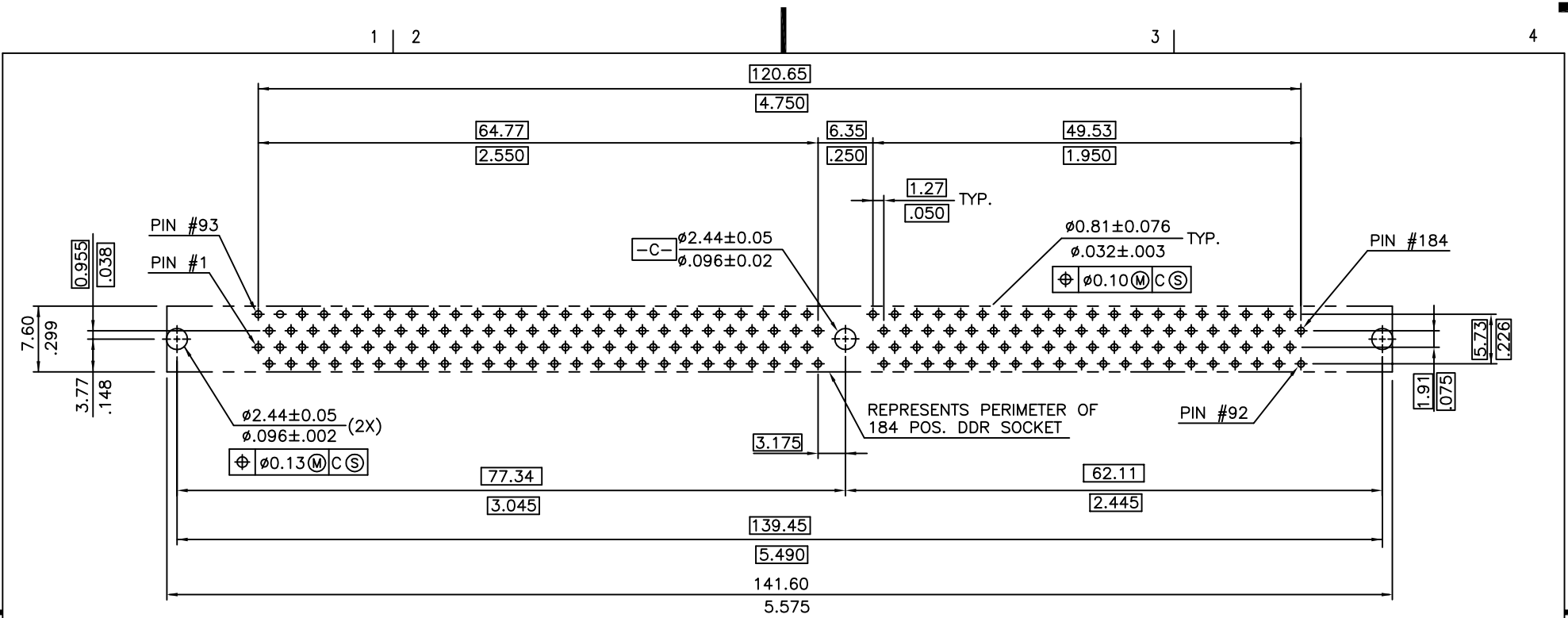


| | |
|------------|-------------|
| TYPE "R" | 3.3 VOLT. |
| TYPE "L" | 2.5 VOLT. |
| TYPE "C" | 1.8 VOLT. |
| CENTER KEY | DESCRIPTION |

| | | | | | | | | | |
|-------------|----------------|---------------------------------------|------|---------------|---------------------|------------|--|--------------------|-------|
| mat'l. code | | tolerances unless otherwise specified | | CUSTOMER COPY | | FCI | | www.fciconnect.com | |
| ltr | ecn no | dr | date | linear | .X ±0.38/.015 | projection | title | | |
| A | | | | | .XX ±0.25/.010 | | DDR 184P .050" 1-ROW, V/T ASS'Y PLASTIC POST | | |
| | | | | angles | .XXX ±0.15/.005 | | product family | DDR | code |
| | | | | dr | 0° ±2' | MM | size | dwg no | TWN |
| | | | | enr | MAGGIE WU 04/12/02 | scale | 10002394 | | sheet |
| | | | | chr | JEFF.HSIEH 04/12/02 | 1.5:1 | | | 2 of |
| | | | | appd | JENN TSAO 04/12/02 | | | | |
| sheet index | revision sheet | | | | | | | cage code | |

Tous droits strictement réservés. Reproduction ou communication a des tiers interdite sous quelque forme que ce soit sans autorisation écrite du propriétaire. Propriete de c FCI. Droits de reproduction FCI.

All rights strictly reserved. Reproduction or issue to third parties in any form whatever is not permitted without written authority from the proprietor. Property of FCI. Copyright FCI.



DDR ASSEMBLY PART NUMBER
10002394 - □ □ □ □

RECOMMENDED CIRCUIT BOARD HOLE LAYOUT

STYLE
1 : FOR 3.3 VOLT.
2 : FOR 2.5 VOLT.
3 : FOR 1.8 VOLT.

RESERVED
0

| CODE | CONTACT | SOLDERTAIL | UNDERPLATE | CODE | CONTACT | SOLDERTAIL | UNDERPLATE |
|------|---------------------------|--------------------------------|---|------|---------------------------|--------------------------------|---|
| 2 | 15µ"(0.38µm) MIN. GOLD | | | 7LF | 15µ"(0.38µm) MIN. GOLD | | |
| 3 | 30µ"(0.76µm) MIN. GOLD | 100µ"(2.54µm) MIN. TIN/LEAD | 50µ" (1.27µm) MIN. NICKEL OVERALL | 8LF | 30µ"(0.76µm) MIN. GOLD | 100µ"(2.54µm) MIN. 100% TIN | 50µ" (1.27µm) MIN. NICKEL OVERALL |
| 4 | 1µ"MIN.GOLD FLASH | | | 9LF | 1µ"MIN.GOLD FLASH | | |

TAIL LENGTH

| CODE | DIM. "B" | TOLERANCE |
|------|--------------|---------------|
| 1 | 2.29 .090 | ±0.25 ±.01 |
| 2 | 2.79 .110 | ±0.25 ±.01 |
| 3 | 2.67 .105 | ±0.25 ±.01 |
| 4 | 3.05 .120 | ±0.25 ±.01 |

COLOR OF HOUSING AND EJECTOR
0 : BLACK HOUSING + IVORY EJECTOR

| | | | | | | | | | | | |
|-------------|----------------|----|------|---------------------------------------|----------------|----------|-------|---------------|----------------|---|-------|
| mat'l. code | | | | tolerances unless otherwise specified | | | | CUSTOMER COPY | | www.fciconnect.com | |
| ltr | ecn no | dr | date | linear | .X ±0.38/.015 | | | projection | | title | |
| B | | | | angles | .XX ±0.25/.010 | | | | | DDR 184P .050" 1-ROW, V/T ASS'Y PLASTIC POST | |
| | | | | dr | MAGGIE WU | 04/12/02 | MM | | product family | | code |
| | | | | enr | JEFF.HSIEH | 04/12/02 | scale | | size | | TWN |
| | | | | chr | JEFF.HSIEH | 04/12/02 | 1.5:1 | | A4 | | sheet |
| | | | | appd | JENN TSAO | 04/12/02 | | | 10002394 | | 3 of |
| sheet index | revision sheet | | | | | | | | | | |