



Chipsmall Limited consists of a professional team with an average of over 10 year of expertise in the distribution of electronic components. Based in Hongkong, we have already established firm and mutual-benefit business relationships with customers from,Europe,America and south Asia,supplying obsolete and hard-to-find components to meet their specific needs.

With the principle of “Quality Parts,Customers Priority,Honest Operation,and Considerate Service”,our business mainly focus on the distribution of electronic components. Line cards we deal with include Microchip,ALPS,ROHM,Xilinx,Pulse,ON,Everlight and Freescale. Main products comprise IC,Modules,Potentiometer,IC Socket,Relay,Connector.Our parts cover such applications as commercial,industrial, and automotives areas.

We are looking forward to setting up business relationship with you and hope to provide you with the best service and solution. Let us make a better world for our industry!



Contact us

Tel: +86-755-8981 8866 Fax: +86-755-8427 6832

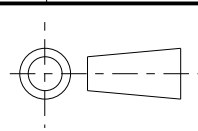
Email & Skype: info@chipsmall.com Web: www.chipsmall.com

Address: A1208, Overseas Decoration Building, #122 Zhenhua RD., Futian, Shenzhen, China



ISS.	DATE	E.C.N.	DESCRIPTION
3	15-Jan-07	1/07/1198	EJECTOR PIN CUTOUTS ENLARGED
3A	12-Oct-12	10/12/1350	CRITICAL VALUES ADDED

© 2011 CTP-COIL
ALL DIMENSIONS IN mm



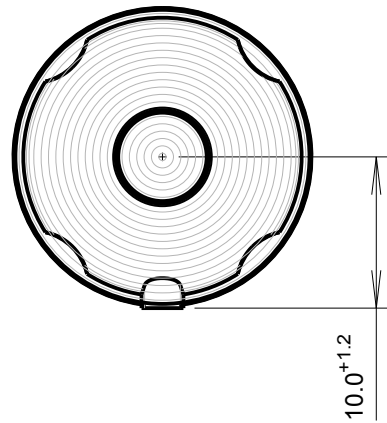
CUSTOMER DRAWING



CARCLO TECHNICAL PLASTICS (SLOUGH)
103 BUCKINGHAM AVE, SLOUGH
SL1 4PF, ENGLAND
TEL: +44 1753 575011 FAX: +44 1753 811359
e-mail: design@carclo-optics.com

GENERAL TOLERANCES (UNLESS STATED)

LINEAR	ANGULAR
X +/- 0.25	X +/- 1°
X.X +/- 0.1	X.X +/- 0.5°
X.XX +/- 0.05	X.XX +/- 0.1°

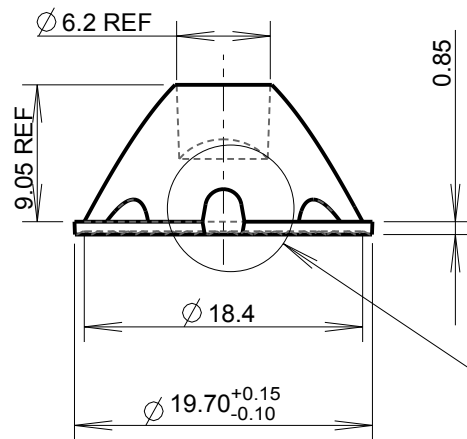


CUSTOMER

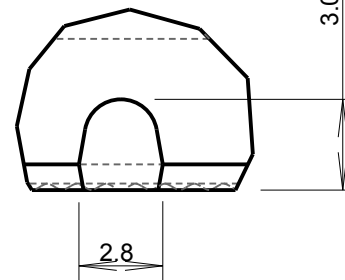
CARCLO

TITLE

LED OPTIC 25 DEGREE



DETAIL A
SCALE 4:1



DRAWN	DATE	26-June-02
AJD		

CHK'D	DATE	12-Oct-12
PW		

APP'D	DATE	12-Oct-12
MH		

SCALE	COIL PART No.
2:1	10003/25

SIZE	COIL DRG. No.	SHEET
A4	60319	2 OF 2

NOTES:-
1. MATERIAL: POLYCARBONATE