



Chipsmall Limited consists of a professional team with an average of over 10 year of expertise in the distribution of electronic components. Based in Hongkong, we have already established firm and mutual-benefit business relationships with customers from,Europe,America and south Asia,supplying obsolete and hard-to-find components to meet their specific needs.

With the principle of “Quality Parts,Customers Priority,Honest Operation,and Considerate Service”,our business mainly focus on the distribution of electronic components. Line cards we deal with include Microchip,ALPS,ROHM,Xilinx,Pulse,ON,Everlight and Freescale. Main products comprise IC,Modules,Potentiometer,IC Socket,Relay,Connector.Our parts cover such applications as commercial,industrial, and automotives areas.

We are looking forward to setting up business relationship with you and hope to provide you with the best service and solution. Let us make a better world for our industry!



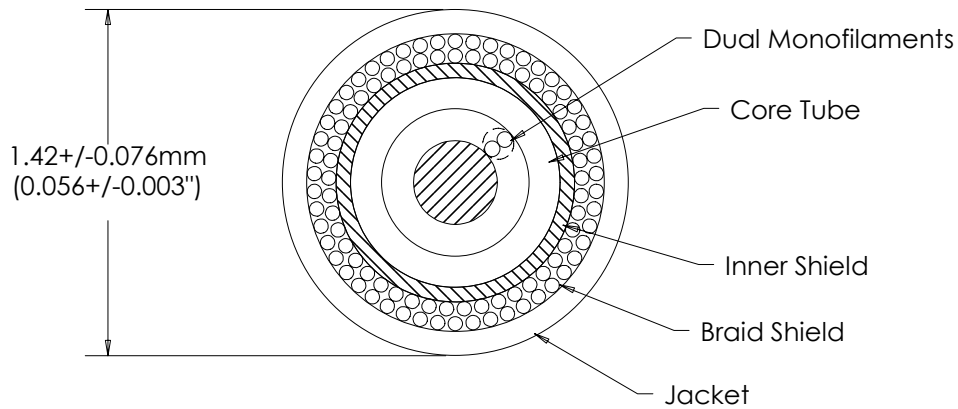
Contact us

Tel: +86-755-8981 8866 Fax: +86-755-8427 6832

Email & Skype: info@chipsmall.com Web: www.chipsmall.com

Address: A1208, Overseas Decoration Building, #122 Zhenhua RD., Futian, Shenzhen, China





NOTES

Signal Conductor: 0.0126" +/- 0.0001" (0.32 +/- 0.0025mm), Silver Plated Copper
 Dual Monofilaments: PFA, Blue
 Setup: Dual monofilaments twisted in a Pair and helically wrapped around Signal Conductor
 Core Tube: PFA, 0.0323" +/- 0.0005" (0.82 +/- 0.013mm) OD
 Inner Shield: Helically Overlapped Flat Silver Plated Copper
 Braid Shield: 42 AWG SPC, >90% Coverage
 Overall Shield Diameter: 0.046" +/- 0.002 (1.17 +/- 0.05mm)
 Jacket: FEP, 0.005" (0.127mm) Wall Thickness
 Color: Black Tint

Frequency (GHz)	Attenuation (dB/ft)
0.5	0.22
1.0	0.31
2	0.46
4	0.64
8	0.92
12	1.15
18	1.43
26	1.74
40	2.20
50	2.48

ELECTRICAL

Impedance: 50 +/- 1 ohms
 Velocity Of Propagation: 87% Ref.
 Capacitance: 23 pF/ft (75.5 pF/m) Ref.

GENERAL

Static Bend Radius: 0.30" (7.62mm) Ref.
 Dynamic Bend Radius: 0.60" (15.24mm) Ref.
 Weight: 3.7 lbs/kft (5.5 kg/km) Ref.

This document is the property of TEMP-FLEX. It may not be disclosed, reproduced, or otherwise used without permission.	Rev	DCR	Description	App'd	Date
	A	4451	Preliminary Release.	KP	5/7/15