



Chipsmall Limited consists of a professional team with an average of over 10 year of expertise in the distribution of electronic components. Based in Hongkong, we have already established firm and mutual-benefit business relationships with customers from,Europe,America and south Asia,supplying obsolete and hard-to-find components to meet their specific needs.

With the principle of “Quality Parts,Customers Priority,Honest Operation,and Considerate Service”,our business mainly focus on the distribution of electronic components. Line cards we deal with include Microchip,ALPS,ROHM,Xilinx,Pulse,ON,Everlight and Freescale. Main products comprise IC,Modules,Potentiometer,IC Socket,Relay,Connector.Our parts cover such applications as commercial,industrial, and automotives areas.

We are looking forward to setting up business relationship with you and hope to provide you with the best service and solution. Let us make a better world for our industry!



## Contact us

Tel: +86-755-8981 8866 Fax: +86-755-8427 6832

Email & Skype: info@chipsmall.com Web: www.chipsmall.com

Address: A1208, Overseas Decoration Building, #122 Zhenhua RD., Futian, Shenzhen, China



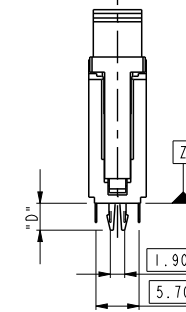
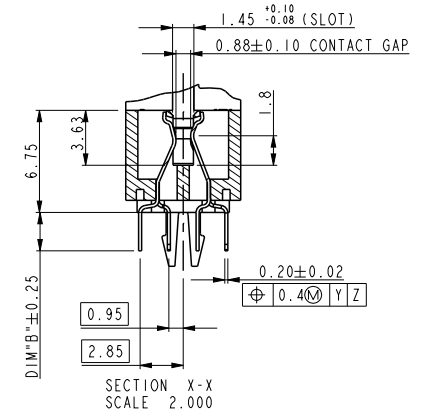
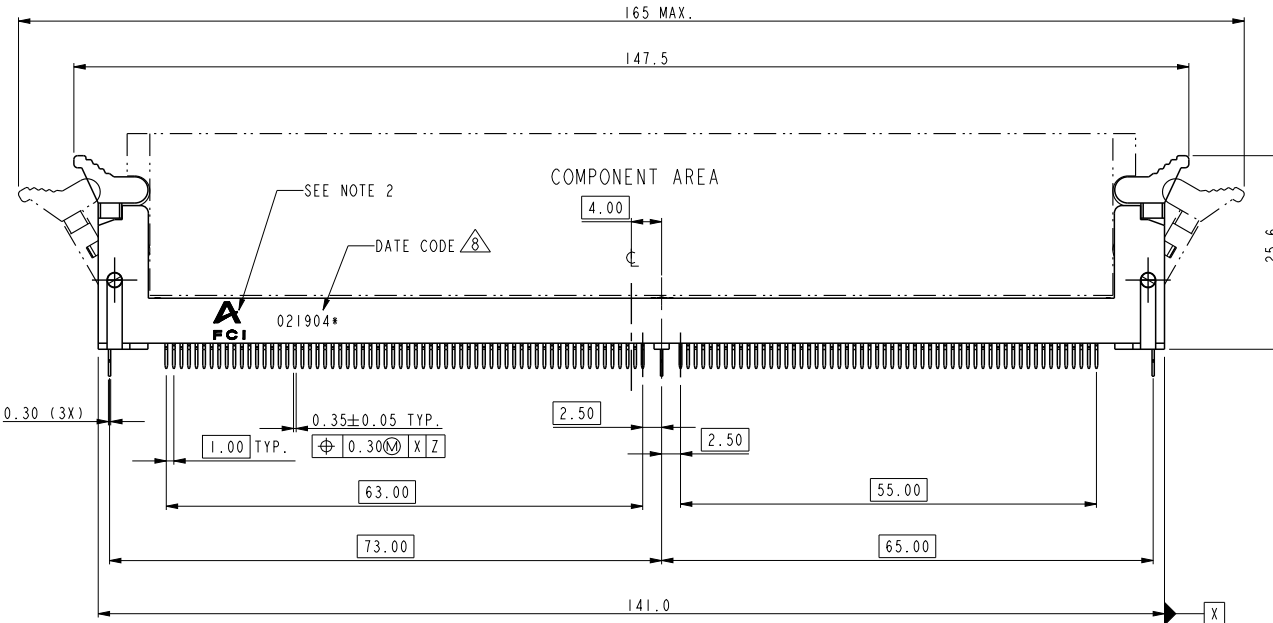
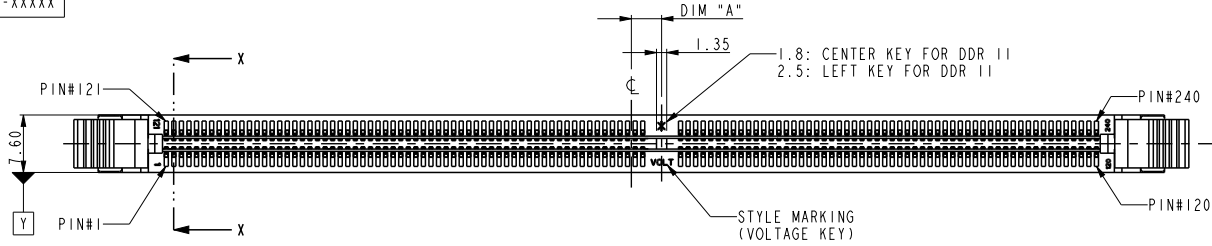
A

B

C

D

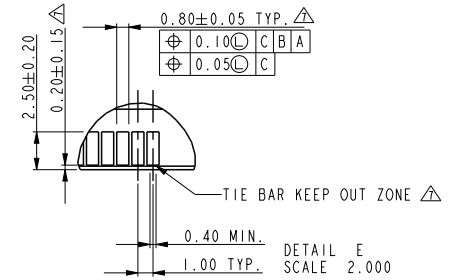
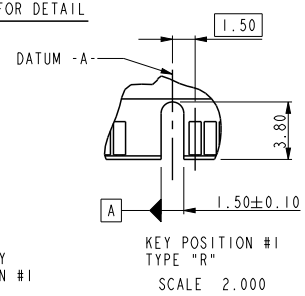
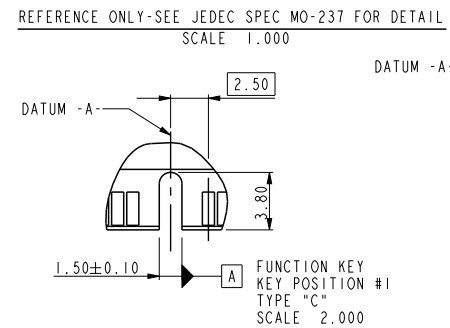
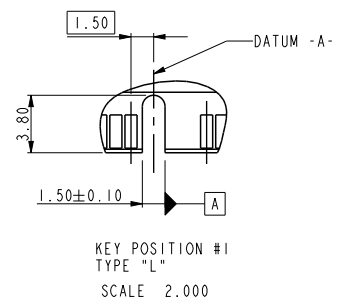
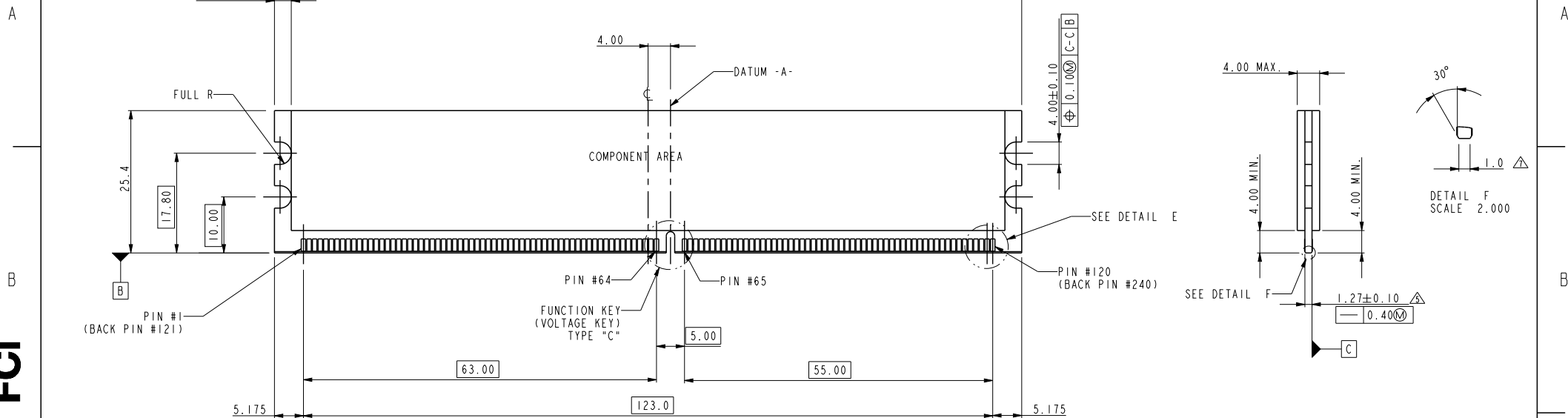
PRODUCT NO.  
10005639-XXXX



PART NO.	DIM "A"	DESCRIPTION
10005639-1****	4.00	1.8V
10005639-2****	3.00	2.5V
10005639-3****	5.00	X.XV

spec ref	*	dr	Rick Bian	2010/07/08	projection	mm	size	A4	scale	0.500																	
tolerance std	TOLERANCES UNLESS OTHERWISE SPECIFIED	eng	Jeny Ren	2018/01/26			ecn no	ELX-DG-28708-1																			
ISO 406		chr	-	-				rel level	Released																		
ISO 1101		appr	Nickor Zuo	2018/01/29	product family		rev	10005639																			
surface	<table border="1"> <tr> <td>linear</td> <td>0.X</td> <td>±0.38</td> </tr> <tr> <td></td> <td>0.XX</td> <td>±0.25</td> </tr> <tr> <td></td> <td>0.XXX</td> <td>±0.13</td> </tr> <tr> <td>angular</td> <td>0°</td> <td>±2°</td> </tr> </table>	linear	0.X	±0.38		0.XX	±0.25		0.XXX	±0.13	angular	0°	±2°			<table border="1"> <tr> <td>title</td> <td>DDR11 240P V/T</td> </tr> <tr> <td></td> <td>DDR11 240P METAL CLIP ASS'Y</td> </tr> <tr> <td>cat. no.</td> <td>*</td> </tr> </table>	title	DDR11 240P V/T		DDR11 240P METAL CLIP ASS'Y	cat. no.	*	<table border="1"> <tr> <td>dwg no</td> <td>10005639</td> </tr> <tr> <td>rev</td> <td>Y</td> </tr> </table>	dwg no	10005639	rev	Y
linear	0.X	±0.38																									
	0.XX	±0.25																									
	0.XXX	±0.13																									
angular	0°	±2°																									
title	DDR11 240P V/T																										
	DDR11 240P METAL CLIP ASS'Y																										
cat. no.	*																										
dwg no	10005639																										
rev	Y																										
ISO 1302		www.fci.com	Product - Customer Drw			sheet 1 of 4																					

TYPE "R"	X.X VOLTAGE
TYPE "L"	2.5 VOLTAGE
TYPE "C"	1.8 VOLTAGE
SUB KEY POS #1	DESCRIPTION



spec ref	*	dr	Rick Bian	2010/07/08	projection	mm	size	A4	scale	0.500				
tolerance std	ISO 406 ISO 1101	eng	Jeny Ren	2018/01/26			ecn no	ELX-DG-28708-1						
TOLERANCES UNLESS OTHERWISE SPECIFIED		chr	-	-			rel level	Released						
surface	linear	0.X	±0.38		title DDRII 240P V/T DDRII 240P METAL CLIP ASS'Y	dwg no 10005639	rev Y	ISO 1302		angular	0°	±2°		
		0.XX	±0.25					www.fci.com	cat. no.	*	Product - Customer Drw		sheet 2 of 4	
		0.XXX	±0.13											

Creo Title REV E - 2016-02-12

A

B

C

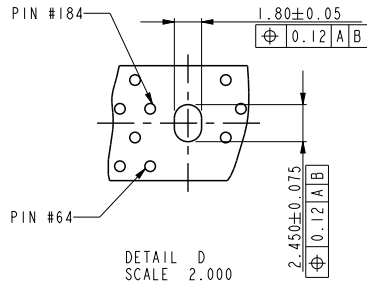
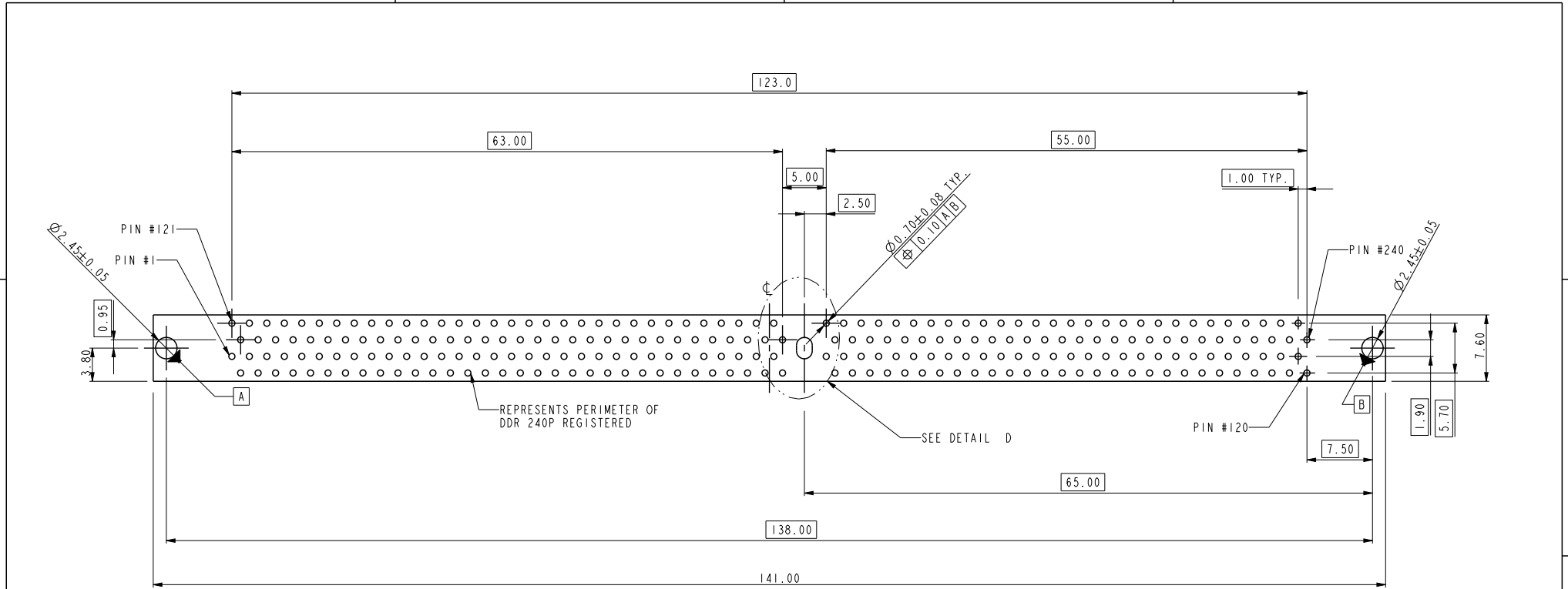
D

A

B

C

D



RECOMMENDED CIRCUIT BOARD HOLE LAYOUT

spec ref		*		dr	Rick Bian	2010/07/08	projection 	mm 	size	A4	scale	0.500	
tolerance std		TOLERANCES UNLESS OTHERWISE SPECIFIED		eng	Jeny Ren	2018/01/26			ecn no	ELX-DG-28708-1			
ISO 406 ISO 1101				chr	-	-			rel level	Released			
surface 	linear	0.X	±0.38	Amphenol FCi	title	DDRII 240P V/T		dwg no	10005639		rev	Y	
		0.XX	±0.25			DDRII 240P METAL CLIP ASS'Y							
		0.XXX	±0.13			www.fci.com	cat. no.						*
	angular	0°	±2°										



10005639 - □ □ □ □ □

STYLE : MECHANICAL KEYING

- 1 : 1.8 VOLT. W/ CENTER KEY#1
- 2 : 2.5 VOLT. W/ LEFT KEY#1
- 3 : X.X VOLT. W/ RIGHT KEY#1

METAL CLIP

- 1 : WITH METAL CLIP + DIM "D"=3.05
- 2 : WITH METAL CLIP + DIM "D"=3.56
- 3 : WITH METAL CLIP + DIM "D"=3.43

TAIL LENGTH

CODE	DIM "B"
0	2.54
1	2.67
2	3.18
3	4.00

PLATING

CODE	CONTACT	SOLDERTAIL	UNDERPLATE
1	10u" (0.25um) MIN. GOLD	100u" (2.54um) MIN. TIN/LEAD	50u" (1.27um) MIN. NICKEL OVERALL
2	15u" (0.38um) MIN. GOLD		
3	30u" (0.76um) MIN. GOLD		
4	3u" (0.076um) MIN. GOLD	100u" (2.54um) MIN. 100% TIN	50u" (1.27um) MIN. NICKEL OVERALL
6LF	10u" (0.25um) MIN. GOLD		
7LF	15u" (0.38um) MIN. GOLD		
8LF	30u" (0.76um) MIN. GOLD		
9LF	3u" (0.076um) MIN. GOLD	GOLD FLASH	
8HLF	30u" (0.76um) MIN. GOLD		

COLOR OF HOUSING AND EJECTOR

- 0 : BLACK HOUSING + IVORY EJECTOR
- 1 : BLUE HOUSING + IVORY EJECTOR
- 2 : BLACK HOUSING + BLACK EJECTOR
- 3 : PURPLE HOUSING + IVORY EJECTOR
- 4 : ORANGE HOUSING + IVORY EJECTOR
- 5 : GREEN HOUSING + IVORY EJECTOR
- 6 : RED HOUSING + IVORY EJECTOR
- 7 : IVORY HOUSING + IVORY EJECTOR
- 8 : YELLOW HOUSING + IVORY EJECTOR
- 9 : IVORY HOUSING + BLACK EJECTOR

NOTES:

1. MATERIAL:
  - HOUSING: HIGH PERFORMANCE RESINS, GLASS FILLED UL94V-0 RATED.
  - EJECTOR: HIGH PERFORMANCE RESINS, GLASS FILLED UL94V-0 RATED.
  - TERMINAL: PHOSPHOR BRONZE.
  - METAL CLIP: COPPER ALLOY.
2. FCI LOGO TO BE APPROXIMATELY LOCATED AS SHOWN ON PRINT.
3. PRODUCT SPECIFICATION: GS-12-251.
4. PACKAGING SPECIFICATION: GS-14-899.
5. CARD THICKNESS APPLIES ACROSS TABS AND INCLUDES PLATING AND/OR METALIZATION.
6. 3.00 mm MINIMUM APPLIES TO BOTH 4.00 mm WIDE NOTCH LENGTH AND COMPONENT KEEPOUT AREA.
7. LEADING EDGE OF CONTACT PADS SPECIFIED BY THE KEEP OUT ZONE SHALL BE FREE OF BURRS AND EXTERNAL TIE BARS. FOR OPTIMUM PERFORMANCE, THE TIE BAR IS TO BE ON AN INTERNAL LAYER SO THAT THE REMNANT CANNOT CAUSE CONTACT DAMAGE.
8. THE DATE CODE IS SHOWN "MM-DD-YY\*" "\*" MEANS PRODUCTION LINE CODE.
9. THIS PRODUCT MEETS EUROPEAN UNION DIRECTIVES AND OTHER COUNTRY REGULATIONS AS DESCRIBED IN GS-22-008.
10. THE HOUSING WILL WITH STAND EXPOSURE TO 260°C PEAK TEMPERATURE FOR 10 SECONDS IN A WAVE SOLDER APPLICATION.

spec ref *		dr	Rick Bian	2010/07/08	projection 	mm 	size	A4	scale	0.500	
tolerance std		eng	Jeny Ren	2018/01/26			ecn no	ELX-DG-28708-1			
ISO 406 ISO 1101		chr	-	-			rel level	Released			
surface		linear		0.X	±0.38	Amphenol FCI	product family			rev	
ISO 1302		angular		0°	±2°		www.fci.com				cat. no. * Product - Customer Drw
				0.XX	±0.25		DDR11 240P V/T				
				0.XXX	±0.13	DDR11 240P METAL CLIP ASS'Y					
				0°	±2°	www.fci.com			10005639		