



Chipsmall Limited consists of a professional team with an average of over 10 year of expertise in the distribution of electronic components. Based in Hongkong, we have already established firm and mutual-benefit business relationships with customers from,Europe,America and south Asia,supplying obsolete and hard-to-find components to meet their specific needs.

With the principle of “Quality Parts,Customers Priority,Honest Operation,and Considerate Service”,our business mainly focus on the distribution of electronic components. Line cards we deal with include Microchip,ALPS,ROHM,Xilinx,Pulse,ON,Everlight and Freescale. Main products comprise IC,Modules,Potentiometer,IC Socket,Relay,Connector.Our parts cover such applications as commercial,industrial, and automotives areas.

We are looking forward to setting up business relationship with you and hope to provide you with the best service and solution. Let us make a better world for our industry!



Contact us

Tel: +86-755-8981 8866 Fax: +86-755-8427 6832

Email & Skype: info@chipsmall.com Web: www.chipsmall.com

Address: A1208, Overseas Decoration Building, #122 Zhenhua RD., Futian, Shenzhen, China



Patch cable - VS-04-2X2X26C7/7-67A/OE/2,0 - 1655755

Please be informed that the data shown in this PDF Document is generated from our Online Catalog. Please find the complete data in the user's documentation. Our General Terms of Use for Downloads are valid (<http://download.phoenixcontact.com>)



Assembled USB cable, shielded, color: RAL 5021 (water blue), PUR outer sheath, USB type A/IP67 on open cable end, length: 2 m



Key commercial data

| | |
|--------------------------------------|-----------|
| Packing unit | 1 pc |
| Weight per Piece (excluding packing) | 158.0 GRM |
| Custom tariff number | 85444290 |
| Country of origin | Germany |

Technical data

Mechanical characteristics

| | |
|-----------------------------|---------------------------------|
| Number of positions | 4 |
| Shielded | Yes |
| Insertion/withdrawal cycles | ≥ 500 |
| Cable diameter | 6.70 mm |
| Cable structure | 2x2xAWG26/7 + 2xAWG20/19; S/FTP |
| Length of cable | 2 m |

Ambient conditions

| | |
|---------------------------------|---|
| Ambient temperature (operation) | -20 °C ... 60 °C (cable, fixed installation) |
| | 0 °C ... 50 °C (cable, flexible installation) |
| | (Plug / socket) |
| Degree of protection | IP67 |

Material data

| | |
|------------------|-----|
| Housing material | PA |
| Sealing material | NBR |
| Material, O-ring | FPM |

Patch cable - VS-04-2X2X26C7/7-67A/OE/2,0 - 1655755

Technical data

Material data

| | |
|------------------------|---------------------|
| Outer sheath, material | PUR |
| External sheath, color | water blue RAL 5021 |

Electrical characteristics

| | |
|---|---------|
| Rated voltage (III/3) | 125 V |
| Rated current | 1 A |
| Transmission characteristics (category) | USB 2.0 |

Line characteristics

| | |
|---|--|
| Cable type | FireWire |
| Cable structure | 2x2xAWG26/7 + 2xAWG20/19; S/FTP |
| Conductor cross section | 2x 2x 0.14 mm ² (signal line) |
| | 2x 0.5 mm ² (Power supply) |
| AWG signal line | 26 |
| Conductor structure signal line | 7x 0.15 mm |
| AWG power supply | 20 |
| Conductor structure, voltage supply | 19x 0.20 mm |
| Core diameter including insulation | ≤ 1.05 mm (signal line) |
| | nom. 1.4 mm (Power supply) |
| External cable diameter | 6.7 mm |
| Wire colors | White-blue, white-orange, white, black |
| External sheath, color | water blue RAL 5021 |
| Insulation resistance | 5 GΩ*km |
| Conductor resistance | 150 Ω/km |
| Transmission characteristics (category) | CAT7, for USB 2.0 (480 Mbps) |
| Working capacitance | 42 pF (per meter) |
| Wave impedance | 100 Ω ±5 % (at 100 MHz) |
| Signal speed | 0.72 c |
| Signal runtime | 4.6 ns/m |
| Shield attenuation | 60 dB (Up to 1000 MHz) |
| Interference suppression | 90 dB (Up to 1000 MHz) |
| Coupling resistance | 5.00 mΩ/m (At 10 MHz) |
| Nominal voltage, cable | ≤ 125 V |
| Test voltage, cable | 1000 V |
| Twisted pairs | 2 cores to the pair |
| Type of pair shielding | Aluminum-lined polyester foil |
| Overall twist | Two pairs and two power supply wires to the core |
| Shielding | Tinned copper braided shield |

Patch cable - VS-04-2X2X26C7/7-67A/OE/2,0 - 1655755

Technical data

Line characteristics

| | |
|---|---|
| Outer sheath, material | PUR |
| Material conductor insulation | Cell PE (signal line) PVC (Power supply) |
| Conductor material | Bare Cu litz wires |
| Cable weight | 59 kg/km |
| Minimum bending radius, fixed installation | 5 x D |
| Minimum bending radius, flexible installation | 5 x D |
| Tensile strength short-term/long-term | ≤ 30 N |
| Special properties | Free of substances which would hinder coating with paint or varnish |
| Flame resistance | complying with IEC 60332-2-2 |
| Resistance to oil | according to EN 60811-2-1 |
| Other resistance | Microbe resistance as per DIN VDE 0282 Hydrolysis resistance as per DIN 53504 |
| Ambient temperature (operation) | -40 °C ... 70 °C (cable, fixed installation) -10 °C ... 50 °C (cable, flexible installation) |

Classifications

eCl@ss

| | |
|------------|----------|
| eCl@ss 4.0 | 27140816 |
| eCl@ss 4.1 | 27260701 |
| eCl@ss 5.0 | 27260701 |
| eCl@ss 5.1 | 27260701 |
| eCl@ss 6.0 | 27279218 |
| eCl@ss 7.0 | 27279218 |
| eCl@ss 8.0 | 27279218 |

ETIM

| | |
|----------|----------|
| ETIM 2.0 | EC000830 |
| ETIM 3.0 | EC001855 |
| ETIM 4.0 | EC001855 |
| ETIM 5.0 | EC001855 |

UNSPSC

| | |
|---------------|----------|
| UNSPSC 6.01 | 31261501 |
| UNSPSC 7.0901 | 31261501 |
| UNSPSC 11 | 31261501 |
| UNSPSC 12.01 | 31261501 |

Patch cable - VS-04-2X2X26C7/7-67A/OE/2,0 - 1655755

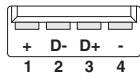
Classifications

UNSPSC

| | |
|-------------|----------|
| UNSPSC 13.2 | 31261501 |
|-------------|----------|

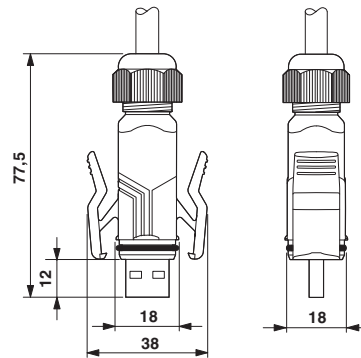
Drawings

Schematic diagram



Pin assignment plug USB, type A

Dimensioned drawing



USB connector, type A, IP67

Circuit diagram

