



Chipsmall Limited consists of a professional team with an average of over 10 year of expertise in the distribution of electronic components. Based in Hongkong, we have already established firm and mutual-benefit business relationships with customers from,Europe,America and south Asia,supplying obsolete and hard-to-find components to meet their specific needs.

With the principle of “Quality Parts,Customers Priority,Honest Operation,and Considerate Service”,our business mainly focus on the distribution of electronic components. Line cards we deal with include Microchip,ALPS,ROHM,Xilinx,Pulse,ON,Everlight and Freescale. Main products comprise IC,Modules,Potentiometer,IC Socket,Relay,Connector.Our parts cover such applications as commercial,industrial, and automotives areas.

We are looking forward to setting up business relationship with you and hope to provide you with the best service and solution. Let us make a better world for our industry!



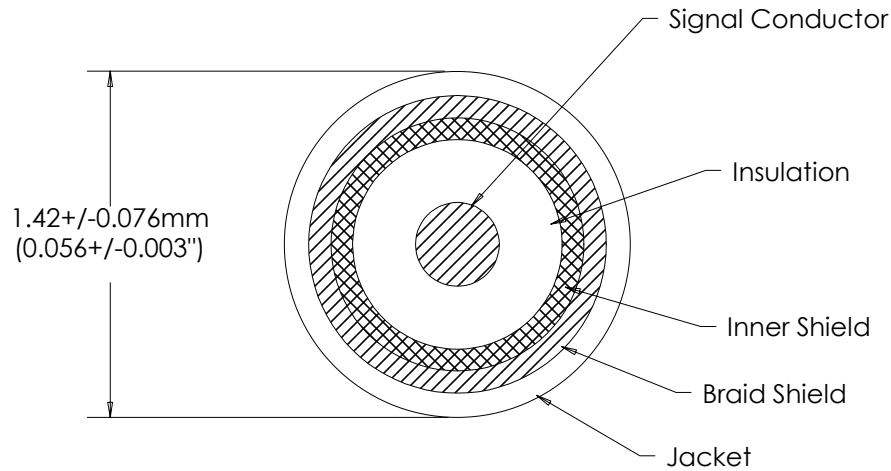
## Contact us

Tel: +86-755-8981 8866 Fax: +86-755-8427 6832

Email & Skype: info@chipsmall.com Web: www.chipsmall.com

Address: A1208, Overseas Decoration Building, #122 Zhenhua RD., Futian, Shenzhen, China





**CONSTRUCTION**

Signal Conductor: 0.287+/-0.0025mm (0.0113+/-0.0001"), Silver Plated Copper per ASTM B-298  
 Insulation: PFA per applicable paragraph MIL-DTL-17, 0.92+/-0.025mm (0.0363+/-0.001") OD  
 Inner Shield: Helically Overlapped Flat Silver Plated Copper per ASTM B-298  
 Braid Shield: 46 AWG Silver Plated Copper per ASTM B-298, >89% Coverage Ref.  
 Overall Shield Diameter: 1.168+/-0.05mm (0.046+/-0.002")  
 Jacket: FEP in accordance with MIL-DTL-17, Type IX  
 Wall Thickness: 0.127mm (0.005")  
 Color: Blue

**ELECTRICAL**

Impedance: 50+/-1 ohms  
 Velocity Of Propagation: 70% Ref.  
 Capacitance: 29 pF/ft (95 pF/m) Ref.

**GENERAL**

Temperature Rating: -65C to 150C (200C Static) Ref.  
 Static Bend Radius: 5.0mm (0.2") Ref.  
 Dynamic Bend Radius: 10.0mm (0.4") Ref.  
 Weight: 3.5 lbs/1000ft Ref.

Frequency (GHz)	Attenuation (dB/100ft)
0.5	23.37
1.0	33.54
2	48.41
4	70.42
8	103.50
12	130.43
18	165.27
26	205.90
34	242.57
40	268.31
50	308.79
Att.=K1*SQRT(F MHz)+K2*F MHz	
K1=1.008	K2=0.00167

This document is the property of TEMP-FLEX. If may not be disclosed, reproduced, or otherwise used without permission.	Rev	DCR	Description	App'd	Date
	A	4019	Update Primary Insulation P/N.	KP	9/10/14
	B	4634	Update Dimensions, Opt. Temp., Add Attenuation Chart	KP	9/1/15