



Chipsmall Limited consists of a professional team with an average of over 10 year of expertise in the distribution of electronic components. Based in Hongkong, we have already established firm and mutual-benefit business relationships with customers from,Europe,America and south Asia,supplying obsolete and hard-to-find components to meet their specific needs.

With the principle of “Quality Parts,Customers Priority,Honest Operation,and Considerate Service”,our business mainly focus on the distribution of electronic components. Line cards we deal with include Microchip,ALPS,ROHM,Xilinx,Pulse,ON,Everlight and Freescale. Main products comprise IC,Modules,Potentiometer,IC Socket,Relay,Connector.Our parts cover such applications as commercial,industrial, and automotives areas.

We are looking forward to setting up business relationship with you and hope to provide you with the best service and solution. Let us make a better world for our industry!



Contact us

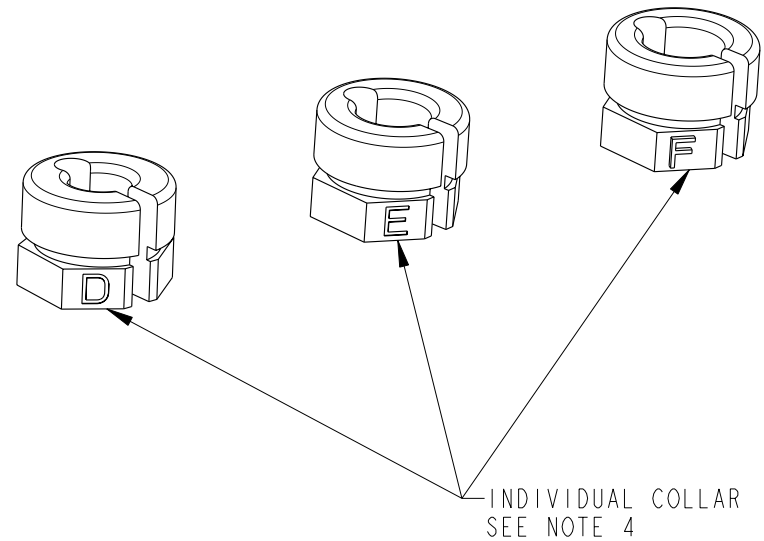
Tel: +86-755-8981 8866 Fax: +86-755-8427 6832

Email & Skype: info@chipsmall.com Web: www.chipsmall.com

Address: A1208, Overseas Decoration Building, #122 Zhenhua RD., Futian, Shenzhen, China



PRODUCT NUMBER 10007239-001 3 SIZES ON STRIP	WIRE SIZE	CABLE DIAM. (mm)	RECESSED CHARACTER
10007239-101	#26	7.9	A
10007239-101	#26	8.5	
10007239-102	#26	8.7	B
10007239-102	#24	9.4	
10007239-103	#24	9.9	C
10007239-103	#24	10.6	
10007239-104LF	#30	5.05	D
10007239-104LF	#30	5.75	
10007239-105LF	#28	6.05	E
10007239-105LF	#28	6.75	
10007239-106LF	#26	6.65	F
10007239-106LF	#26	7.35	

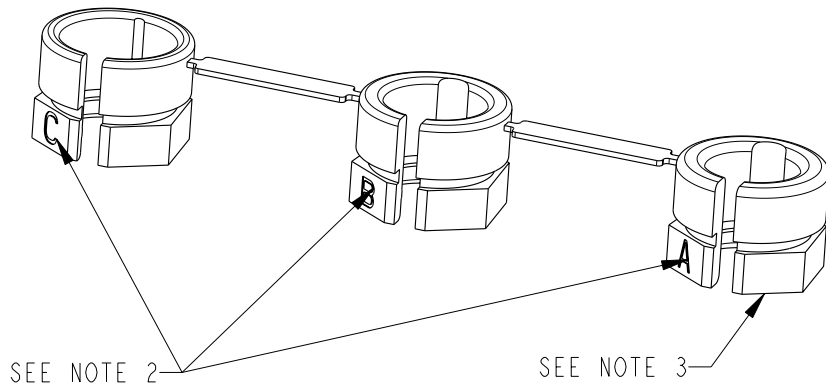


NOTES:

1. MATERIAL: THERMOPLASTIC
2. THREE SIZES OF CABLE COLLARS ARE PROVIDED. SELECT CORRECT COLLAR SIZE BY DIAMETER, SEE TABLE.
3. PLACE CABLE COLLAR ON CABLE WITH HEX SIDE FACING CABLE TIP.
4. THE -104LF, -105LF & -106LF ARE INDIVIDUAL COLLAR NOT FAMILY MOLDED ON A STRIP.
5. THIS PRODUCT MEETS EUROPEAN UNION DIRECTIVES AND OTHER COUNTRY REGULATION AS DESCRIBED IN GS-22-008



Copyright FCI.



SEE NOTE 2
FAMILY MOLDED ON STRIP
SEE CHART

SEE NOTE 3

rev	ecn no	dr	date
A	V03-0251	GIP	04/01/03
B	M06-0249	MHT	6/29/06
C	M07-0155	MHT	2007-03-10
-	-	-	-
-	-	-	-
-	-	-	-
-	-	-	-

www.fciconnect.com		surface 3.200 ASME Y14.5	tolerance std -	projection MM
		TOLERANCES UNLESS OTHERWISE SPECIFIED		MM
Dr	G. PETERS	04/01/03	ANGULAR	size A4
Eng	D. BRANN	04/01/03	LINEAR	Scale 2:1
Chr	G. PETERS	04/01/03	0° ±2°	ECN M07-0155
Appr	D. BRANN	04/01/03	0.X ±.3 0.XX ±.10 0.XXX ±.051	Spec ref -
FCI logo		Product family EyeMax (TM)		dwg no 10007239
4X CABLE COLLAR F/ EYEMAX (tm)		catalog no -		Rev. C
		CUSTOMER		sheet 1 of 1

REV F - 2006-04-17

SCALE 3:2

PDM: Rev:C

STATUS Released

4 Printed: Jul 22, 2010