



Chipsmall Limited consists of a professional team with an average of over 10 year of expertise in the distribution of electronic components. Based in Hongkong, we have already established firm and mutual-benefit business relationships with customers from,Europe,America and south Asia,supplying obsolete and hard-to-find components to meet their specific needs.

With the principle of "Quality Parts,Customers Priority,Honest Operation,and Considerate Service",our business mainly focus on the distribution of electronic components. Line cards we deal with include Microchip,ALPS,ROHM,Xilinx,Pulse,ON,Everlight and Freescale. Main products comprise IC,Modules,Potentiometer,IC Socket,Relay,Connector.Our parts cover such applications as commercial,industrial, and automotives areas.

We are looking forward to setting up business relationship with you and hope to provide you with the best service and solution. Let us make a better world for our industry!



Contact us

Tel: +86-755-8981 8866 Fax: +86-755-8427 6832

Email & Skype: info@chipsmall.com Web: www.chipsmall.com

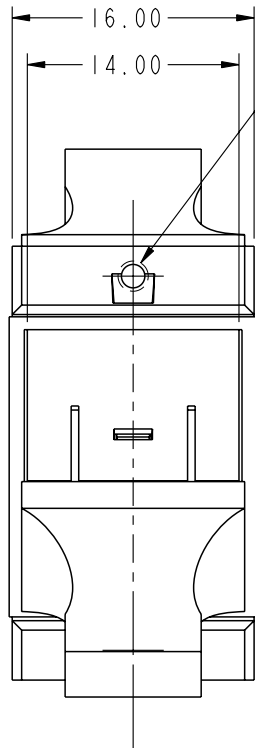
Address: A1208, Overseas Decoration Building, #122 Zhenhua RD., Futian, Shenzhen, China



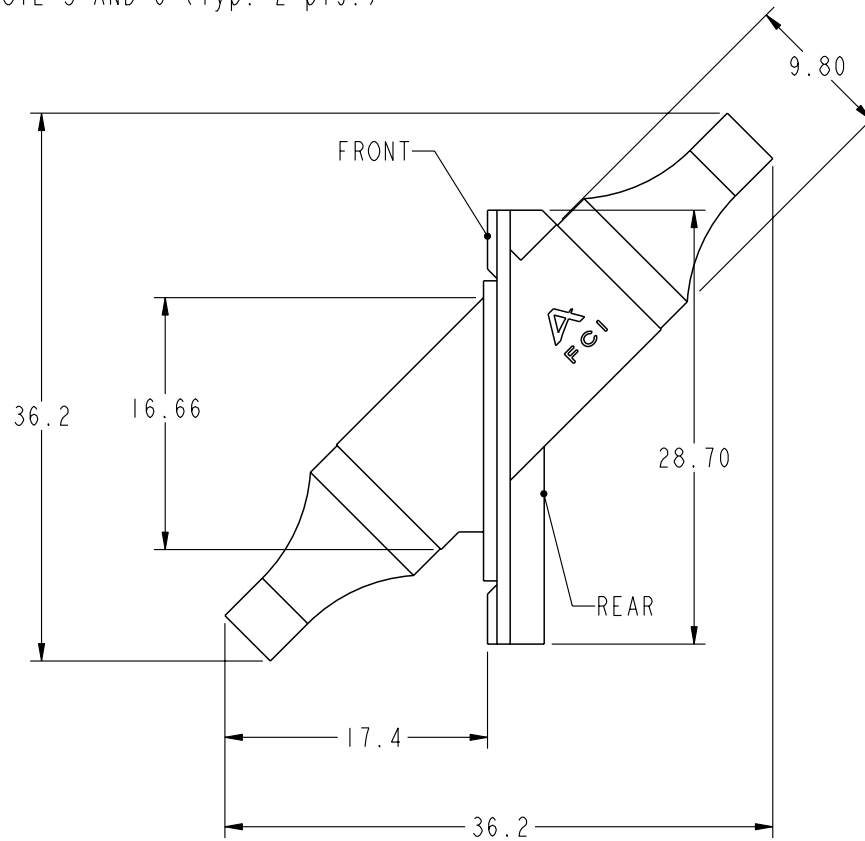


This document is the property of and embodies CONFIDENTIAL and PROPRIETARY information of FCI. No part of the information shown on this document may be used in any way or disclosed to others without the written consent of FCI. Copyright FCI.

PRODUCT NUMBER	STYLE
10009255-001	NO SHUTTER



10009255-001



mat'l code				SEE NOTE 4		tolerances unless otherwise specified		CUSTOMER		 www.fciconnect.com	
ltr	ecm no.	dr	date	linear	0.X ±0.3		COPY		 title 45° MPO DIE CAST ADAPTER ASSEMBLY	product family FIBER OPTICS code	
A	V21443	BKB	9/06/02		0.XX ±0.10		projection			size	
B	V03-0262	HN	05/20/03	angles	0.XXX ±0.050		 scale 2:1		dwg no		1 of 5
C	V05-0701	DAI	07/26/05		0° ±2°		 scale 2:1		A		10009255
D	V06-0182	DAI	2006-05-12	dr	B. BAHN	6/13/02					
				enrg	B. TROSTLE	6/13/02					
				chr	B. TROSTLE	6/13/02					
				appd	D. BUSH	6/13/02					
sheet index	revision sheet	D 1	D 2	D 3	D 4	D 5					

cage code 22526

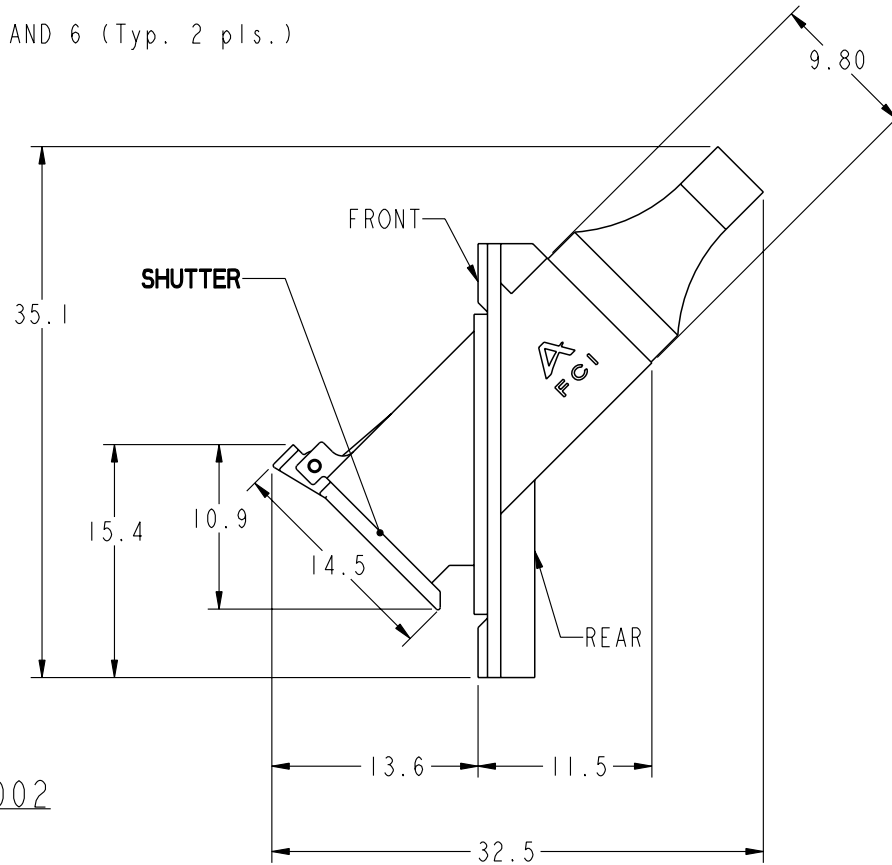
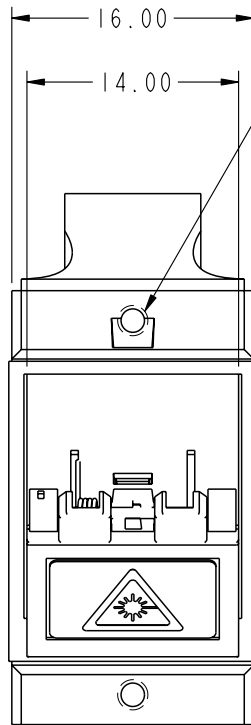
Pro/E

PDM: Rev:D


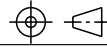

STATUS: Released

Printed: Nov 03, 2010

PRODUCT NUMBER	STYLE
10009255-002	WITH SHUTTER

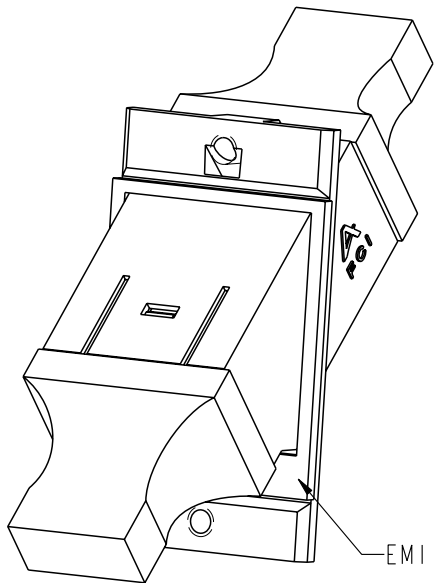


10009255-002

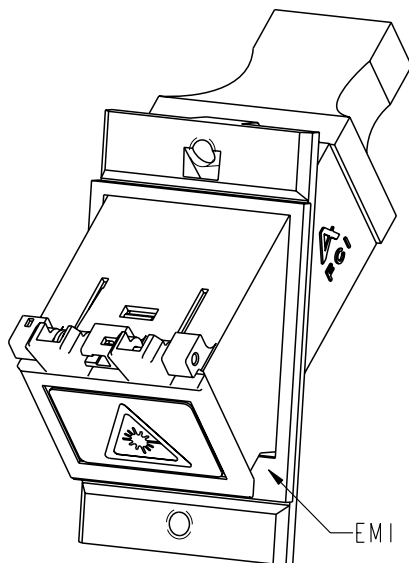
mat'l code		SEE NOTE 4		tolerances unless otherwise specified		CUSTOMER		 www.fciconnect.com	
ltr	ecn no.	dr	date	linear	0.X ±0.3		COPY		title
D					0.XX ±0.10		projection		
				angles	0.XXX ±0.050				product family
					0° ±2°				
				dr	B. BAHN	6/13/02	MM		code
				engr	B. TROSTLE	6/13/02	← MM →		213
				chr	B. TROSTLE	6/13/02	scale		sheet
				appd	D. BUSH	6/13/02	2:1		2
sheet index	revision sheet								

This document is the property of and embodies CONFIDENTIAL and PROPRIETARY information of FCI. No part of the information shown on this document may be used in any way or disclosed to others without the written consent of FCI. Copyright FCI.

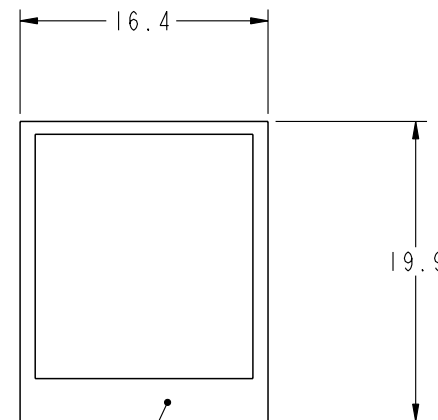
PRODUCT NUMBER	STYLE
10009255-001	NO SHUTTER
10009255-002	WITH SHUTTER




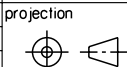

10009255-001



10009255-002



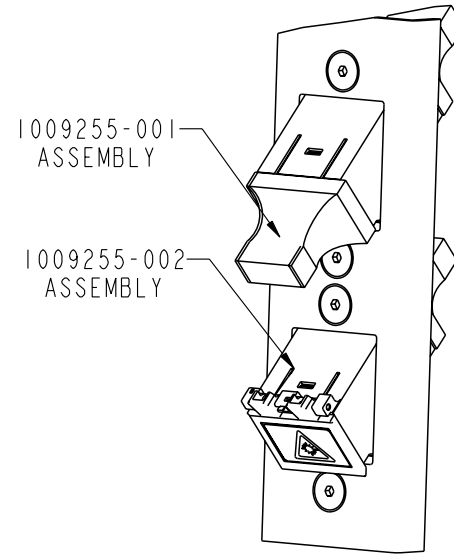
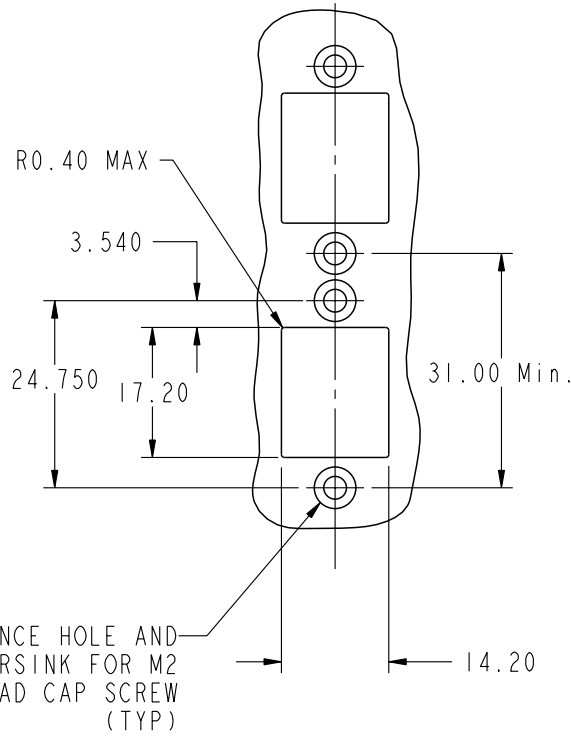
Install with this End to the Bottom Side of Adapter)
EMI GASKET

mat'l code				SEE NOTE 4		tolerances unless otherwise specified		CUSTOMER		 www.fciconnect.com			
ltr	ecm no.	dr	date	linear	0.X ±0.3		COPY		 title 45° MPO DIE CAST ADAPTER ASSEMBLY	product family FIBER OPTICS code			
D					0.XX ±0.10		MM			size	dwg no	213	
				angles	0.XXX ±0.050		←→		 scale 2:1	A	10009255	sheet	3
					0° ±2°								
				dr	B. BAHN	6/13/02							
				enr	B. TROSTLE	6/13/02							
				chr	B. TROSTLE	6/13/02							
				appd	D. BUSH	6/13/02							
sheet index	revision sheet												


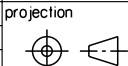

cage code 22526

This document is the property of and embodies CONFIDENTIAL and PROPRIETARY information of FCJ. No part of the information shown on this document may be used in any way or disclosed to others without the written consent of FCJ. Copyright FCJ.

PRODUCT NUMBER	STYLE
10009255-001	NO SHUTTER
10009255-002	WITH SHUTTER



PANEL CUTOUT REFERENCE

mat'l code				SEE NOTE 4		tolerances unless otherwise specified		CUSTOMER		 www.fciconnect.com	
ltr	ecr no.	dr	date	linear	0.X ±0.3		COPY			title	
D					0.XX ±0.10		45° MPO DIE CAST ADAPTER ASSEMBLY				
					0.XXX ±0.050						
				angles	0° ±2°				product family		
				dr	B. BAHN	6/13/02	FIBER OPTICS		code		
				enr	B. TROSTLE	6/13/02	size		213		
				chr	B. TROSTLE	6/13/02	dwg no		sheet		
				appd	D. BUSH	6/13/02	A		4		
sheet index		revision sheet				scale		2:1		10009255	

This document is the property of and embodies CONFIDENTIAL and PROPRIETARY information of FCJ. No part of the information shown on this document may be used in any way or disclosed to others without the written consent of FCJ. Copyright FCJ.

PRODUCT NUMBER	STYLE
10009255-001	NO SHUTTER
10009255-002	WITH SHUTTER

NOTES:

1. SEE SHEET 3 FOR EMI GASKET, SEE SHEET 4 FOR PANEL CUTOUT.
2. PARTS SHOWN ASSEMBLED FOR REFERENCE ONLY.
3. THICKNESS OF CUSTOMER SUPPLIED PANEL TO BE 1.2mm ±0 .10.
4. MATERIAL AND PLATING:
 ADAPTER - ZINC DIE CAST
 PLATING - BRIGHT NICKEL
 GASKET - CONDUCTIVE ELASTOMER, UL94 V-0
 SHUTTER - POLYCARBONATE, UL94 V-0
5. REQUIRED MOUNTING HARDWARE:
 M2 X 4mm FLATHEAD CAP SCREW (QTY 2)
6. RECOMMENDED SCREW TORQUE SETTING:
 24ozf-in (NOT TO EXCEED 32ozf-in)
7. LF INDICATES PART NUMBER IS LEAD FREE. LEAD FREE PART NUMBERS MEET EUROPEAN UNION DIRECTIVES AND OTHER COUNTRY REGULATIONS AS DESCRIBED IN GS-22-008.
8. PACKAGE ACCORDING TO GS-14-920 FOR LEAD FREE LABELING SPECIFICATIONS REQUIREMENTS.
9. THIS PRODUCT IS NOT INTENDED TO BE EXPOSED TO MANUFACTURING SOLDER PROCESSES.

A

A



This document is the property of and embodies CONFIDENTIAL and PROPRIETARY information of FCI. No part of the information shown on this document may be used in any way or disclosed to others without the written consent of FCI. Copyright FCI.

B

B

mat'l code				SEE NOTE 4		tolerances unless otherwise specified		CUSTOMER		www.fciconnect.com	
ltr	ecn no.	dr	date	linear	0.X ±0.3		COPY			title	
D					0.XX ±0.10		projection			45° MPO DIE CAST ADAPTER ASSEMBLY	
					0.XXX ±0.050					product family FIBER OPTICS	
				angles	0° ±2°				code		
				dr	B. BAHN	6/13/02	scale		size		
				engr	B. TROSTLE	6/13/02	2:1		213		
				chr	B. TROSTLE	6/13/02	A		sheet		
				appd	D. BUSH	6/13/02			5		
sheet index	revision sheet										