



Chipsmall Limited consists of a professional team with an average of over 10 year of expertise in the distribution of electronic components. Based in Hongkong, we have already established firm and mutual-benefit business relationships with customers from,Europe,America and south Asia,supplying obsolete and hard-to-find components to meet their specific needs.

With the principle of “Quality Parts,Customers Priority,Honest Operation,and Considerate Service”,our business mainly focus on the distribution of electronic components. Line cards we deal with include Microchip,ALPS,ROHM,Xilinx,Pulse,ON,Everlight and Freescale. Main products comprise IC,Modules,Potentiometer,IC Socket,Relay,Connector.Our parts cover such applications as commercial,industrial, and automotives areas.

We are looking forward to setting up business relationship with you and hope to provide you with the best service and solution. Let us make a better world for our industry!



Contact us

Tel: +86-755-8981 8866 Fax: +86-755-8427 6832

Email & Skype: info@chipsmall.com Web: www.chipsmall.com

Address: A1208, Overseas Decoration Building, #122 Zhenhua RD., Futian, Shenzhen, China



LOC	DIST	REVISIONS					
-	-	P	LTR	DESCRIPTION	DATE	DWN	APVD
			1	NEW DRAWING	19JUN2013	RS	EC

SAFETY ORGANIZATIONS

THIS FILTER HAS BEEN DESIGNED TO THE FOLLOWING STANDARDS, BUT HAS NOT YET BEEN FORMALLY RECOGNIZED, CERTIFIED OR APPROVED BY THE LISTED AGENCIES. ALL TEST REQUIREMENTS SPECIFIED IN THE LATEST REVISION OF THE FOLLOWING AGENCY STANDARDS WILL BE MET:

OPERATING SPECIFICATIONS

LINE CURRENT/VOLTAGE: 1000 A, 520 VAC
 LINE FREQUENCY: 50-60 Hz
 NOMINAL LEAKAGE CURRENT: 6 mA
 MAXIMUM LEAKAGE CURRENT: 222 mA @ 277 V, 50 Hz
 OPERATING AMBIENT TEMPERATURE RANGE @ RATED CURRENT, I : -10°C TO +50°C

AT AMBIENT TEMPERATURE, T , ABOVE MAX RATED I , THE MAXIMUM OPERATING CURRENT, I_o , IS DETERMINED BY THIS EQUATION:

$$I_o = I_R \sqrt{\frac{100 - T_o}{50}}$$

RELIABILITY SPECIFICATIONS

STORAGE TEMPERATURE: -40°C TO +85°C
 HUMIDITY: 21 DAYS @ 40°C AND 95% RH

TEST SPECIFICATIONS

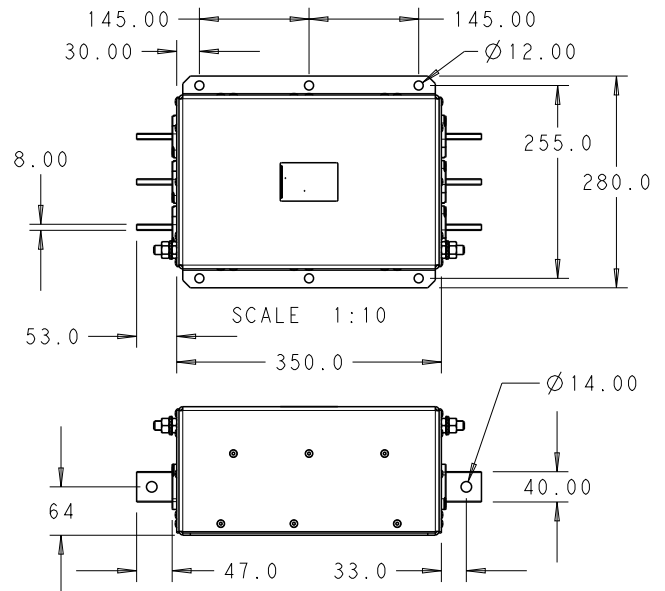
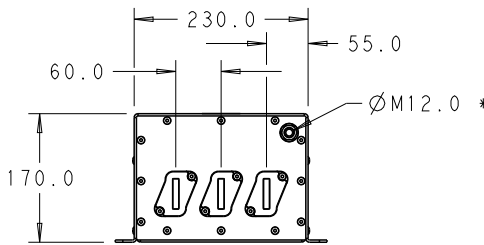
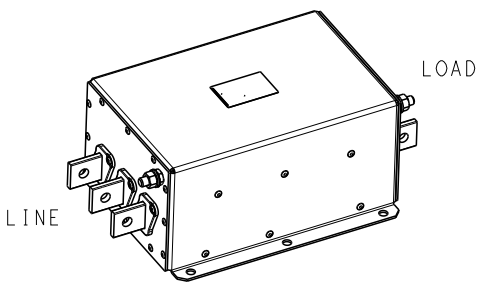
INDUCTANCE: 36.8 µH NOMINAL
 CAPACITANCE @ 1 kHz, 0.25 VAC MAX., 25°C ±1°C:
 LINE TO GROUND: 2.62 µF
 LINE TO LINE: 12.3 µF
 DISCHARGE RESISTOR
 L-G AND L-L: 666kΩ / 666kΩ
 IR, L/L @ 20°C, 50% RH: 6000MΩ (MIN.) @100VDC

RECOMMENDED RECEIVING INSPECTION HIPOT

LINE TO GROUND: 2200 VDC FOR 1 MINUTE
 LINE TO LINE: 2160 VDC FOR 1 MINUTE

FILTER APPROVAL:

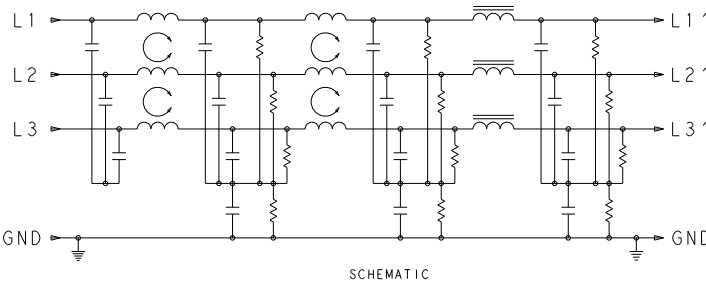
THE BEST WAY TO SELECT AND QUALIFY A FILTER IS FOR YOUR ENGINEERING TO TEST THE UNIT IN YOUR EQUIPMENT.



* DO NOT LOOSEN INNER GROUND NUTS. TORQUE OUTER GROUND NUTS TO: 25-30 NM [220-260 IN-LB]

TYPICAL INSERTION LOSS
 COMMON MODE 50/50 Ω; DIFFERENTIAL MODE 100/100 Ω

MHz	0.01	0.05	0.15	0.5	1.0	3.0	5.0	10	30
CM	12	13	56	71	67	49	45	37	18
DM	32	46	60	62	58	46	41	35	27



20
RELEASED FOR PUBLICATION
ALL RIGHTS RESERVED.
THIS DRAWING IS UNPUBLISHED.
BY -
COPYRIGHT 20

DIMENSIONS: mm	DWN RS 19JUN2013	MATERIAL	FINISH
TOLERANCES UNLESS OTHERWISE SPECIFIED:	CHK EC 19JUN2013	TE Connectivity	
0 PLC ±2.0	APVD EC 19JUN2013		
1 PLC ±0.1	PRODUCT SPEC		
2 PLC ±0.01	APPLICATION SPEC		
3 PLC ±0.005	WEIGHT	NAME	RESTRICTED TO
4 PLC ±0.0001		1000ACPV12	
ANGLES ±-		3-PHASE DELTA FILTER	
		SIZE	CAGE CODE
		A4	00779
		DRAWING NO	RESTRICTED TO
		C-8-1609148-5-25	
Customer Drawing		SCALE	SHEET
		1:1	1 OF 1
			REV
			1