



Chipsmall Limited consists of a professional team with an average of over 10 year of expertise in the distribution of electronic components. Based in Hongkong, we have already established firm and mutual-benefit business relationships with customers from,Europe,America and south Asia,supplying obsolete and hard-to-find components to meet their specific needs.

With the principle of “Quality Parts,Customers Priority,Honest Operation,and Considerate Service”,our business mainly focus on the distribution of electronic components. Line cards we deal with include Microchip,ALPS,ROHM,Xilinx,Pulse,ON,Everlight and Freescale. Main products comprise IC,Modules,Potentiometer,IC Socket,Relay,Connector.Our parts cover such applications as commercial,industrial, and automotives areas.

We are looking forward to setting up business relationship with you and hope to provide you with the best service and solution. Let us make a better world for our industry!



Contact us

Tel: +86-755-8981 8866 Fax: +86-755-8427 6832

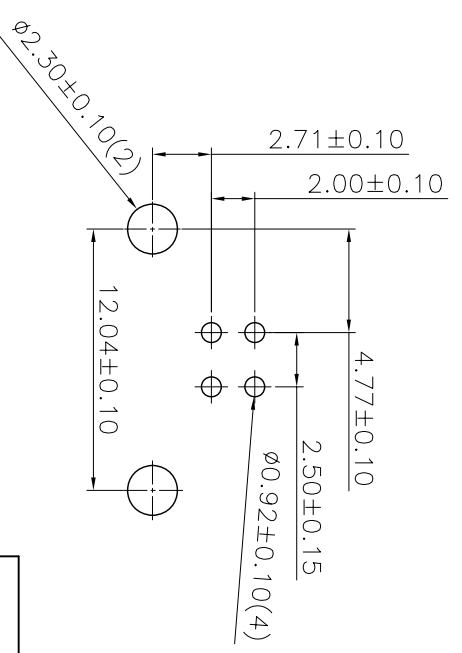
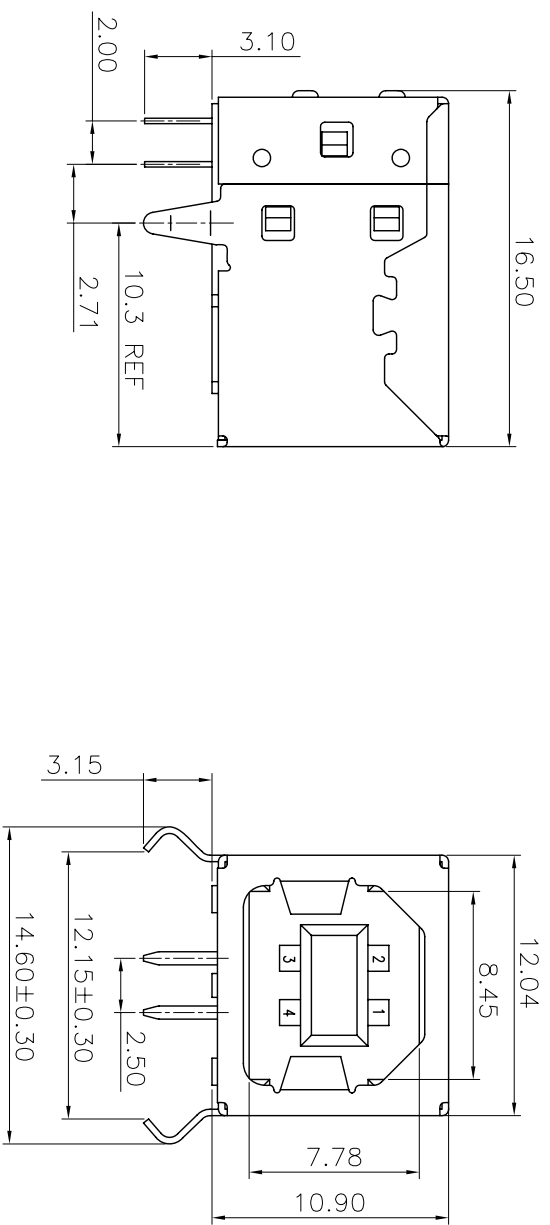
Email & Skype: info@chipsmall.com Web: www.chipsmall.com

Address: A1208, Overseas Decoration Building, #122 Zhenhua RD., Futian, Shenzhen, China



REV	ECN NO:	B Y	DATE
A2	NEW-DWG	ING	10/01/15

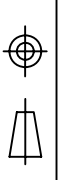
NOTE
MATERIAL: PHOSPHOR BRONZE
CONTACTS: PBT+30% G.F. UL-0
SHELL : SEE TABLE
BACKSHELL:SPCC
MATING: 35N MAX.
WITHDRAWAL FORCE:10N MIN.
DURABILITY:1500 CYCLES MIN.
CURRENT-MAX[AMPS] 1.5A
VOLTAGE-MAX[VOLTS] 30V
WITHSTANDING VOLTAGE 500V AC
CONTACT RESISTANCE 30MΩ MAX.
INSULATION RESISTANCE 1000MΩ MIN.
CONTACTS: PLATED SEE TABLE
SHELL: NICKEL OVER ALL PLATING
TEMPERATURE RANGE -55°C~+85°C



RECOMMENDED P.C.B. PATTERN LAYOUT

Cnc Tech, LLC

UNLESS OTHERWISE SPECIFIED



TITLE: USB BF 90°DIP封装
后盖无缺口1SU“成品”

-TOLERANCES-		TITLE:	
X.X ±0.38	X.X° ±2°	PRODUCT NO:	1001-003-02000
X.XX ±0.25	X.XX° ±1°	DATE	SCALE
X.XXX ±0.13	X.XXX° ±0.5°	2010.01.15	UNIT
			MM
			Z
			1