



Chipsmall Limited consists of a professional team with an average of over 10 year of expertise in the distribution of electronic components. Based in Hongkong, we have already established firm and mutual-benefit business relationships with customers from,Europe,America and south Asia,supplying obsolete and hard-to-find components to meet their specific needs.

With the principle of “Quality Parts,Customers Priority,Honest Operation,and Considerate Service”,our business mainly focus on the distribution of electronic components. Line cards we deal with include Microchip,ALPS,ROHM,Xilinx,Pulse,ON,Everlight and Freescale. Main products comprise IC,Modules,Potentiometer,IC Socket,Relay,Connector.Our parts cover such applications as commercial,industrial, and automotives areas.

We are looking forward to setting up business relationship with you and hope to provide you with the best service and solution. Let us make a better world for our industry!



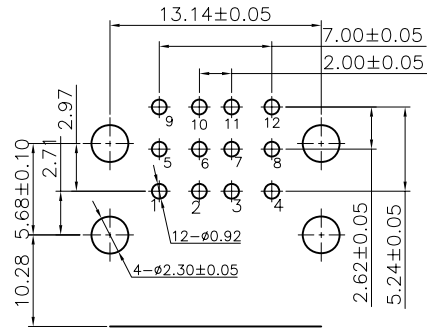
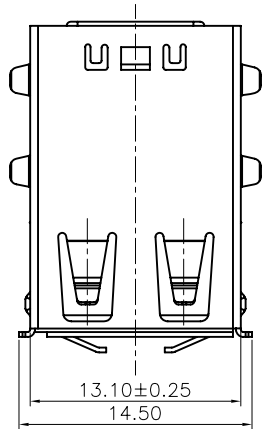
Contact us

Tel: +86-755-8981 8866 Fax: +86-755-8427 6832

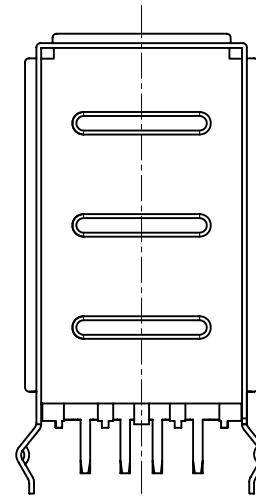
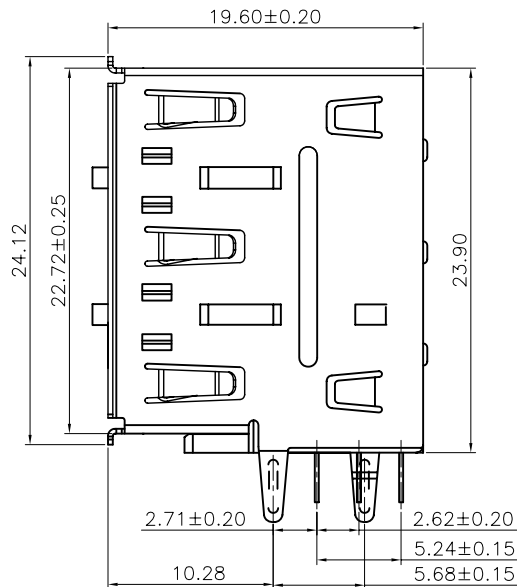
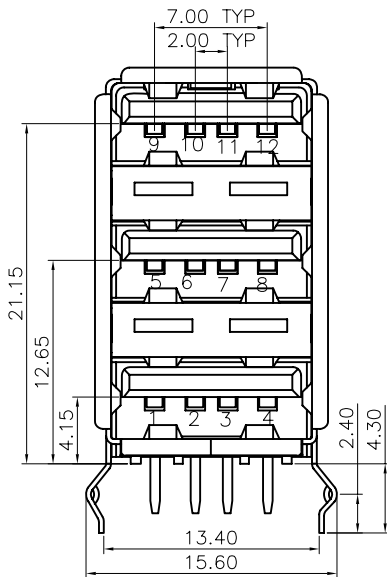
Email & Skype: info@chipsmall.com Web: www.chipsmall.com

Address: A1208, Overseas Decoration Building, #122 Zhenhua RD., Futian, Shenzhen, China





RECOMMENDED PCB LAYOUT



NOTE:

- 1.MATERIAL:
HOUSING:NY6T&PBT+30% GF UL94 V-0
CONTACT:COPPER ALLOY
SHELL:COPPER ALLOY
REAR SHELL: SPCC
- 2.FINISH:
2.1 CONTACT:
GOLD LASH LAING ON CONTACT REA.
100 μ " MIN.BRIGHT-TIN PLATING ON SOLDER TAIL
AREA, 50 μ " MIN.NICKEL UNDERPLATING OVERALL.
- 2.2 SHELL:
100 μ " MIN.BRIGHT-TIN PLATING ON SOLDER TAILS.
50 μ " MIN.NICKEL UNDERPLATING OVERALL.
- 2.3 ISOLATED:SHELL: 100 μ " MIN.NICKEL OVER 50 μ " MIN.CU ENTIRE ISOLATED.
- 2.4 REAR SHELL: 100 μ " MIN.NICKEL UNDERPLATNG OVERALL.
- 3.ELECTRICAL CHARACTERISTICS:
CRRENT RATING:0.5Amper Maximum
VOLTAGE:30V AC.
CONTACT RETENTION FORCE:0.7KGFMINIMUM.
CONTACT TESISTANCE:30 MILLIOHMS MAXIMUM.
INSULATION RESISTANCE;1000MEGOHMS MINIMUM.
DIELECTRIC WITHSTANGING VOLTAGE:750V AC AT SEE LEVEL.
PART NO.:

11/01/10	ING		NEW-DWG		AO				
DATE	DR.BY	ECN.NO.	DESCRIPTION	MARK	VER.				
-TOLERANCES- UNLESS OTHERWISE SPECIFIED			CnC Tech,LLC						
						TITLE: USB FEMALE A TYPE TRIPLE STACKED RIGHT ANGLE DIP90度			
X.	±0.38	X.X°	±2°	APPD:	PRODUCT NO: 1001-007-01020				
X.X	±0.20	X.XX°	±1°	CHECK:	DATE	SCALE	UNIT	TYPE	PAGE
X.XX	±0.10	X.XXX°	±0.5°	DRAW:	2011.01.10	FREE	MM	Z	1