



Chipsmall Limited consists of a professional team with an average of over 10 year of expertise in the distribution of electronic components. Based in Hongkong, we have already established firm and mutual-benefit business relationships with customers from,Europe,America and south Asia,supplying obsolete and hard-to-find components to meet their specific needs.

With the principle of “Quality Parts,Customers Priority,Honest Operation,and Considerate Service”,our business mainly focus on the distribution of electronic components. Line cards we deal with include Microchip,ALPS,ROHM,Xilinx,Pulse,ON,Everlight and Freescale. Main products comprise IC,Modules,Potentiometer,IC Socket,Relay,Connector.Our parts cover such applications as commercial,industrial, and automotives areas.

We are looking forward to setting up business relationship with you and hope to provide you with the best service and solution. Let us make a better world for our industry!



## Contact us

Tel: +86-755-8981 8866 Fax: +86-755-8427 6832

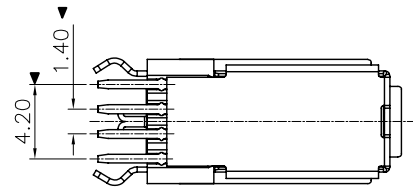
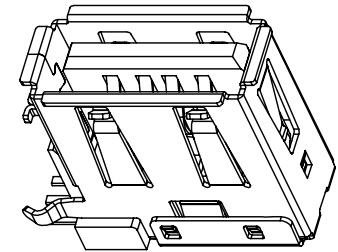
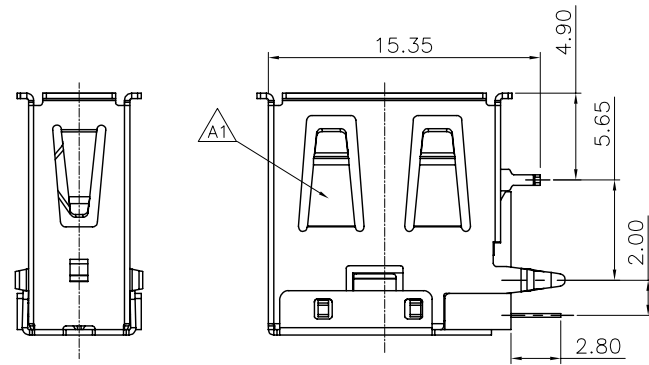
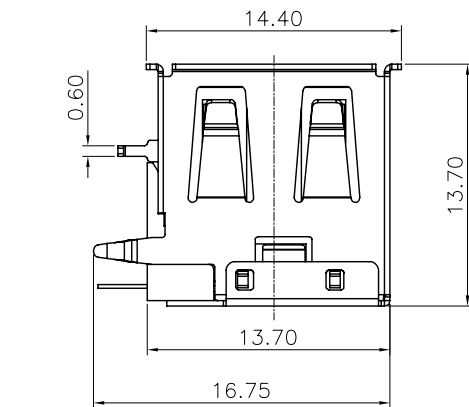
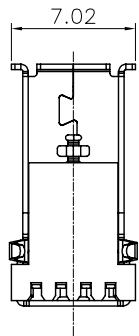
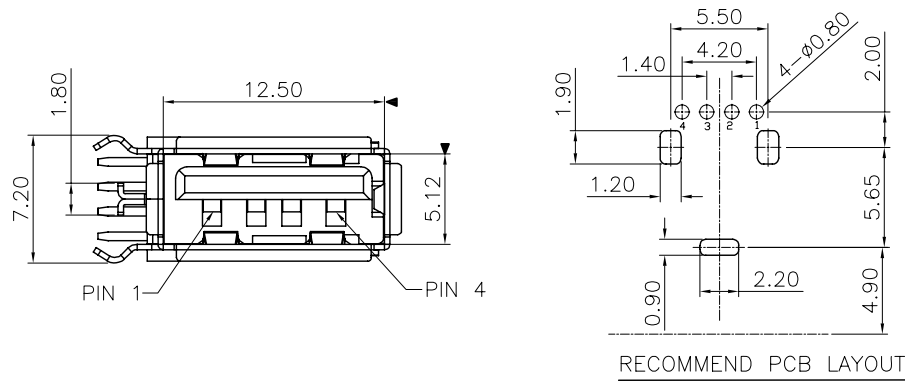
Email & Skype: info@chipsmall.com Web: www.chipsmall.com

Address: A1208, Overseas Decoration Building, #122 Zhenhua RD., Futian, Shenzhen, China



A1

NOTE:  
 MATERIAL:  
 HOUSING: PBT+30%GF (UL 94V-0)  
 SHELL: BRASS C2680-H T=0.3mm  
 TERMINAL: PHOSPHOR BRONZE C5191-H T=0.20mm  
 SPECIFICATION:  
 VOLTAGE CURRENT RATING: 1AMP 30V DC  
 INSULATION RESISTANCE: 1000MΩ MIN  
 CONTACT RESISTANCE TERMINAL: 30mΩ MAX  
 WITHSTANDING VOLTAGE: 500V AC  
 MATING FORCE: 30N MAX  
 UNMATING FORCE: 10N MIN



11/12/17	XIE	EG-N1112018	(新開模)將原來四彈片加寬·增加插拔耐久力	A1	A1				
11/08/05	XIE		NEW DWG		A0				
DATE	DR.BY	ECN.NO.	DESCRIPTION	MARK	VER.				
-TOLERANCES- UNLESS OTHERWISE SPECIFIED 公差參考表			<h1 style="text-align: center;">CnC Tech,LLC</h1> <p style="text-align: center;">TITLE: USB 4P A/F DIP 90度側插式 三只腳成品</p>						
X.X	±0.30	X.X°				±3.00°	APPD:	PRODUCT NO: 1001-008-01001	
X.XX	±0.25	X.XX°	±2.00°	CHECK:	DATE	SCALE	UNIT	TYPE	PAGE
X.XXX	±0.15	X.XXX°	±1.00°	DRAW:	2011.08.05	1:1	mm	Z	1/1