



Chipsmall Limited consists of a professional team with an average of over 10 year of expertise in the distribution of electronic components. Based in Hongkong, we have already established firm and mutual-benefit business relationships with customers from,Europe,America and south Asia,supplying obsolete and hard-to-find components to meet their specific needs.

With the principle of “Quality Parts,Customers Priority,Honest Operation,and Considerate Service”,our business mainly focus on the distribution of electronic components. Line cards we deal with include Microchip,ALPS,ROHM,Xilinx,Pulse,ON,Everlight and Freescale. Main products comprise IC,Modules,Potentiometer,IC Socket,Relay,Connector.Our parts cover such applications as commercial,industrial, and automotives areas.

We are looking forward to setting up business relationship with you and hope to provide you with the best service and solution. Let us make a better world for our industry!



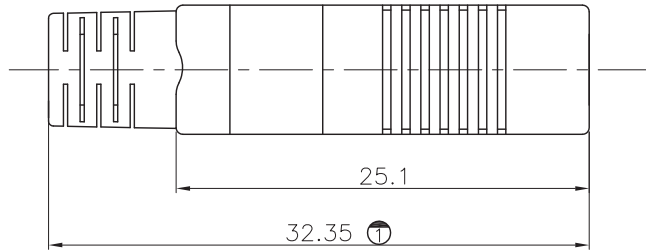
## Contact us

Tel: +86-755-8981 8866 Fax: +86-755-8427 6832

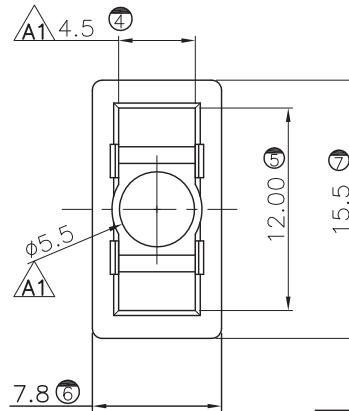
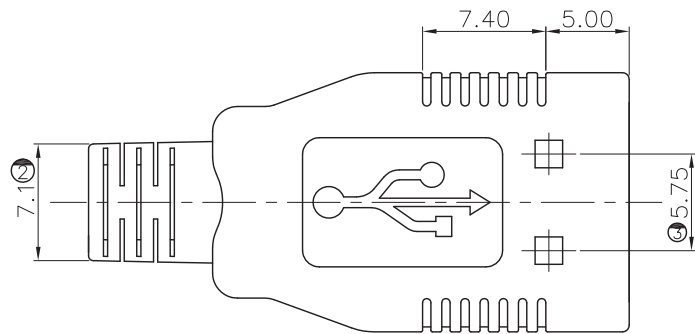
Email & Skype: info@chipsmall.com Web: www.chipsmall.com

Address: A1208, Overseas Decoration Building, #122 Zhenhua RD., Futian, Shenzhen, China





NOTES  
 MATERIAL: PVC  
 BURR: 0.05mm MAX. ON CONTACT AREA.  
 (1) MARK IS MAJOR TEST DIMENSION.



2012/05/21	XIE	EG-N1212003	更正尺寸	$\triangle A1$	A1				
2008/02/26	SYSTEM		NEW DWG		A0				
DATE	DR.BY	ECN.NO.	DESCRIPTION	MARK	VER.				
-TOLERANCES- UNLESS OTHERWISE SPECIFIED 公差参考表			<b>CnC Tech, LLC</b>						
			$\phi$ $\nabla$	TITLE: USB 4P A/M SOLDER附套					
X.X	$\pm 0.20$	X.X°	$\pm 3.00^\circ$	APPD:	PRODUCT NO: 1001-027-BL-01000				
X.XX	$\pm 0.10$	X.XX°	$\pm 1.00^\circ$	CHECK:	DATE	SCALE	UNIT	TYPE	PAGE
X.XXX	$\pm 0.05$	X.XXX°	$\pm 0.500^\circ$	DRAW:	2008/02/26	1:1	mm	Z	1/1