



Chipsmall Limited consists of a professional team with an average of over 10 year of expertise in the distribution of electronic components. Based in Hongkong, we have already established firm and mutual-benefit business relationships with customers from,Europe,America and south Asia,supplying obsolete and hard-to-find components to meet their specific needs.

With the principle of “Quality Parts,Customers Priority,Honest Operation,and Considerate Service”,our business mainly focus on the distribution of electronic components. Line cards we deal with include Microchip,ALPS,ROHM,Xilinx,Pulse,ON,Everlight and Freescale. Main products comprise IC,Modules,Potentiometer,IC Socket,Relay,Connector.Our parts cover such applications as commercial,industrial, and automotives areas.

We are looking forward to setting up business relationship with you and hope to provide you with the best service and solution. Let us make a better world for our industry!



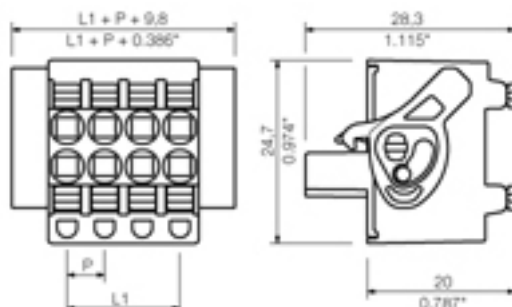
## Contact us

Tel: +86-755-8981 8866 Fax: +86-755-8427 6832

Email & Skype: info@chipsmall.com Web: www.chipsmall.com

Address: A1208, Overseas Decoration Building, #122 Zhenhua RD., Futian, Shenzhen, China





#### General ordering data

|                  |   |
|------------------|---|
| Order No.        | 1001020000  |
| Part designation | BLDF 5.08/03/180LR SN BK BX   |
| Version          | PCB plug-in connector, PUSH IN, Clamping range, max.: 3.31 mm <sup>2</sup> , Pitch in mm: 5.08 mm, No. of poles: 3, 180°, Box |
| EAN              | 4032248817641   |
| Qty.             | 100 pc(s).  |
| Packaging        | Box   |

#### System parameters

|   |                        |
|---|------------------------|
| Conductor connection system                 | PUSH IN                |
| Outgoing direction of conductor             | 180°                   |
| Pitch in mm                                 | 5.08 mm                |
| Pitch in inch                               | 0.2 inch               |
| No. of poles                                | 3                      |
| No. of rows                                 | 1                      |
| Screwdriver blade                           | 0.6 x 3.5              |
| Screwdriver blade standard                  | DIN 5264               |
| Stripping length                            | 10 mm                  |
| L1 in mm                                    | 10.16 mm               |
| L1 in inch                                  | 0.4 inch               |
| Electric shock protection to DIN VDE 0470   | IP 20                  |
| Electric shock protection to DIN VDE 57 106 | Safe from finger touch |

#### Material data

|                          |                     |
|--------------------------|---------------------|
| Insulating material      | PBT                 |
| Colour                   | black               |
| colour chart             | Similar to RAL 9011 |
| Flammability class UL 94 | V-0                 |
| Contact material         | CuSn                |
| Contact surface          | tinned              |

#### Connectable conductors

|                      |                      |
|----------------------|----------------------|
| Clamping range, min. | 0.13 mm <sup>2</sup> |
|----------------------|----------------------|

#### Connectable conductors

|   |                      |
|---|----------------------|
| Clamping range, max.                              | 3.31 mm <sup>2</sup> |
| Conductor connection cross-section AWG, min.      | AWG 26               |
| Conductor connection cross-section AWG, max.      | AWG 12               |
| Solid, min. H05(07) V-U                           | 0.2 mm <sup>2</sup>  |
| Solid, max. H05(07) V-U                           | 2.5 mm <sup>2</sup>  |
| Stranded, max. H07V-R                             | 2 mm <sup>2</sup>    |
| Flexible, min. H05(07) V-K                        | 0.2 mm <sup>2</sup>  |
| Flexible, max. H05(07) V-K                        | 2.5 mm <sup>2</sup>  |
| w. wire end ferrule, DIN 46228 pt 1, min          | 0.2 mm <sup>2</sup>  |
| with wire end ferrule, DIN 46228 pt 1, max.       | 2.5 mm <sup>2</sup>  |
| w. plastic collar ferrule, DIN 46228 pt 4, min.   | 0.2 mm <sup>2</sup>  |
| with plastic collar ferrule, DIN 46228 pt 4, max. | 2.5 mm <sup>2</sup>  |
| Gauge to EN 60999 a x b; ø                        | 2.4 mm x 1.5 mm      |

#### DIN IEC rating data

|  |                   |
|--|-------------------|
| Rated current, min. No. of poles (Tu=20°C)                                     | 18.5 A            |
| Rated current, max. No. of poles (Tu=20°C)                                     | 6 A               |
| Rated current, no. of poles (Tu=40°C), min.                                    | 12.5 A            |
| Rated current, no. of poles (Tu=40°C), max.                                    | 6 A               |
| Rated voltage for overvoltage class/pollution severity II/2                    | 400 V             |
| Rated voltage for overvoltage class/pollution severity III/2                   | 320 V             |
| Rated voltage at overvoltage category/pollution degree III/3                   | 250 V             |
| Rated impulse withstand voltage for overvoltage class/pollution severity II/2  | 4 kV              |
| Rated impulse withstand voltage for overvoltage class/pollution severity III/2 | 4 kV              |
| Rated impulse withstand voltage for overvoltage class/pollution severity III/3 | 4 kV              |
| Short-time withstand current resistance  | 3 x 1s with 120 A |

#### Approvals

Approvals institutes

#### Classifications

eClass 6.0 27-26-07-04

#### Notes

Notes

#### Similar products

| Order No.  | Part designation            | Version   |
|------------|-----------------------------|---|
| 1001010000 | BLDF 5.08/02/180LR SN BK BX | PCB plug-in connector, PUSH IN, Clamping range, max.: 3.31 mm <sup>2</sup> , Pitch in mm: 5.08 mm, No. of poles: 2, 180°, Box |
| 1065130000 | BLDF 5.08/02/180LR SN OR BX | PCB plug-in connector, PUSH IN, Clamping range, max.: 3.31 mm <sup>2</sup> , Pitch in mm: 5.08 mm, No. of poles: 2, 180°, Box |

|            |                             |   |
|------------|-----------------------------|---|
| 1065140000 | BLDF 5.08/03/180LR SN OR BX | PCB plug-in connector, PUSH IN, Clamping range, max.: 3.31 mm <sup>2</sup> , Pitch in mm: 5.08 mm, No. of poles: 3, 180°, Box |
| 1001040000 | BLDF 5.08/05/180LR SN BK BX | PCB plug-in connector, PUSH IN, Clamping range, max.: 3.31 mm <sup>2</sup> , Pitch in mm: 5.08 mm, No. of poles: 5, 180°, Box |
| 1065160000 | BLDF 5.08/05/180LR SN OR BX | PCB plug-in connector, PUSH IN, Clamping range, max.: 3.31 mm <sup>2</sup> , Pitch in mm: 5.08 mm, No. of poles: 5, 180°, Box |
| 1001050000 | BLDF 5.08/06/180LR SN BK BX | PCB plug-in connector, PUSH IN, Clamping range, max.: 3.31 mm <sup>2</sup> , Pitch in mm: 5.08 mm, No. of poles: 6, 180°, Box |
| 1065170000 | BLDF 5.08/06/180LR SN OR BX | PCB plug-in connector, PUSH IN, Clamping range, max.: 3.31 mm <sup>2</sup> , Pitch in mm: 5.08 mm, No. of poles: 6, 180°, Box |
| 1001060000 | BLDF 5.08/07/180LR SN BK BX | PCB plug-in connector, PUSH IN, Clamping range, max.: 3.31 mm <sup>2</sup> , Pitch in mm: 5.08 mm, No. of poles: 7, 180°, Box |
| 1065180000 | BLDF 5.08/07/180LR SN OR BX | PCB plug-in connector, PUSH IN, Clamping range, max.: 3.31 mm <sup>2</sup> , Pitch in mm: 5.08 mm, No. of poles: 7, 180°, Box |
| 1001070000 | BLDF 5.08/08/180LR SN BK BX | PCB plug-in connector, PUSH IN, Clamping range, max.: 3.31 mm <sup>2</sup> , Pitch in mm: 5.08 mm, No. of poles: 8, 180°, Box |
| 1065190000 | BLDF 5.08/08/180LR SN OR BX | PCB plug-in connector, PUSH IN, Clamping range, max.: 3.31 mm <sup>2</sup> , Pitch in mm: 5.08 mm, No. of poles: 8, 180°, Box |