



Chipsmall Limited consists of a professional team with an average of over 10 year of expertise in the distribution of electronic components. Based in Hongkong, we have already established firm and mutual-benefit business relationships with customers from,Europe,America and south Asia,supplying obsolete and hard-to-find components to meet their specific needs.

With the principle of “Quality Parts,Customers Priority,Honest Operation,and Considerate Service”,our business mainly focus on the distribution of electronic components. Line cards we deal with include Microchip,ALPS,ROHM,Xilinx,Pulse,ON,Everlight and Freescale. Main products comprise IC,Modules,Potentiometer,IC Socket,Relay,Connector.Our parts cover such applications as commercial,industrial, and automotives areas.

We are looking forward to setting up business relationship with you and hope to provide you with the best service and solution. Let us make a better world for our industry!



Contact us

Tel: +86-755-8981 8866 Fax: +86-755-8427 6832

Email & Skype: info@chipsmall.com Web: www.chipsmall.com

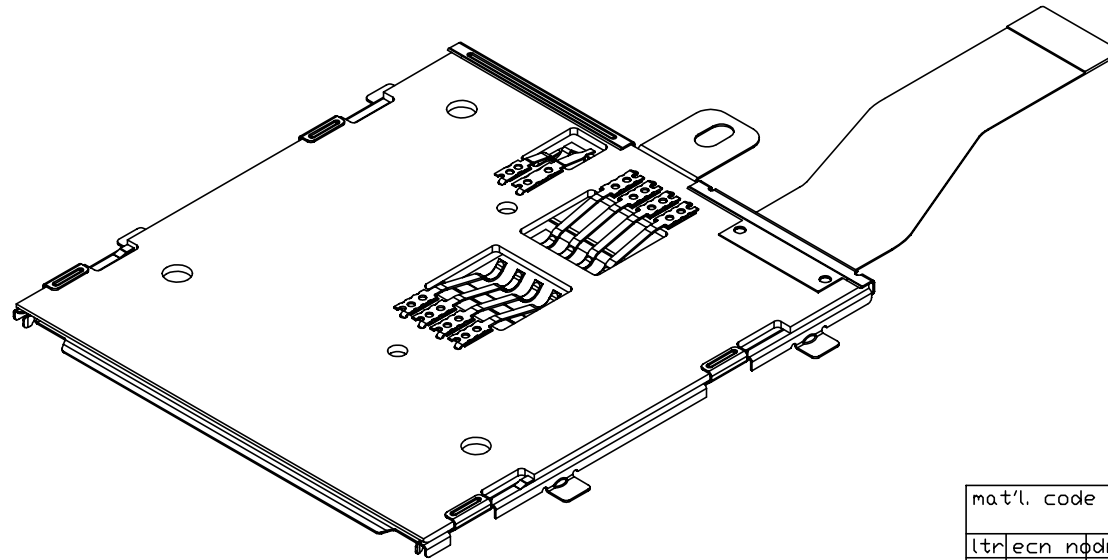
Address: A1208, Overseas Decoration Building, #122 Zhenhua RD., Futian, Shenzhen, China



PRODUCT NO.	FPC	PACKAGING	COMPONENTS	LEAD FREE	PCB COLOR
10010556-002LF	10010559-002LF	10017475-02-002	ELEC. PARTS	YES	BLUE
10010556-003LF	10105325-001	10017475-02-009	N/A	YES	BLACK
10010556-004LF	10056226-002LF(FFC)	10017475-02-004	N/A	YES	BLUE
10010556-006LF	10058983-001LF	10017475-02-003	N/A	YES	BLACK
10010556-005LF	10056226-003LF(FFC)	10017475-02-004	N/A	YES	BLUE
10010556-007LF	10081578-001	10017475-02-006	N/A	YES	BLACK
10010556-008LF	10056226-004LF(FFC)	10017475-02-003	N/A	YES	BLUE
10010556-009LF	10083983-001(FFC)	10017475-02-008	N/A	YES	BLUE
10010556-010LF	10056226-005LF(FFC)	340391-202	N/A	YES	GREEN
10010556-011LF	10087561-001	10017475-02-007	N/A	YES	BLUE
10010556-012LF	10087561-002	10017475-02-007	N/A	YES	BLUE
10010556-013LF	10088568-001	10017475-02-006	N/A	YES	BLACK
10010556-014LF	10087561-004	10017475-02-004	N/A	YES	BLUE
10010556-015LF	10099689-001(FFC)	10017475-02-006	N/A	YES	BLACK
10010556-016LF	10056226-006LF(FFC)	340391-202	N/A	YES	GREEN
10010556-017LF	10056226-007LF(FFC)	340391-202	N/A	YES	GREEN
10010556-018LF	10107293-001(FFC)	10017475-02-004	N/A	YES	GREEN
10010556-019LF	10087561-005(FFC)	10017475-02-010	N/A	YES	GREEN

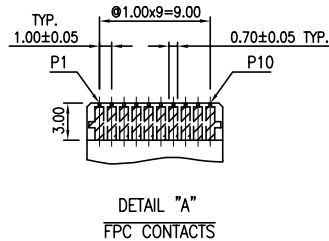
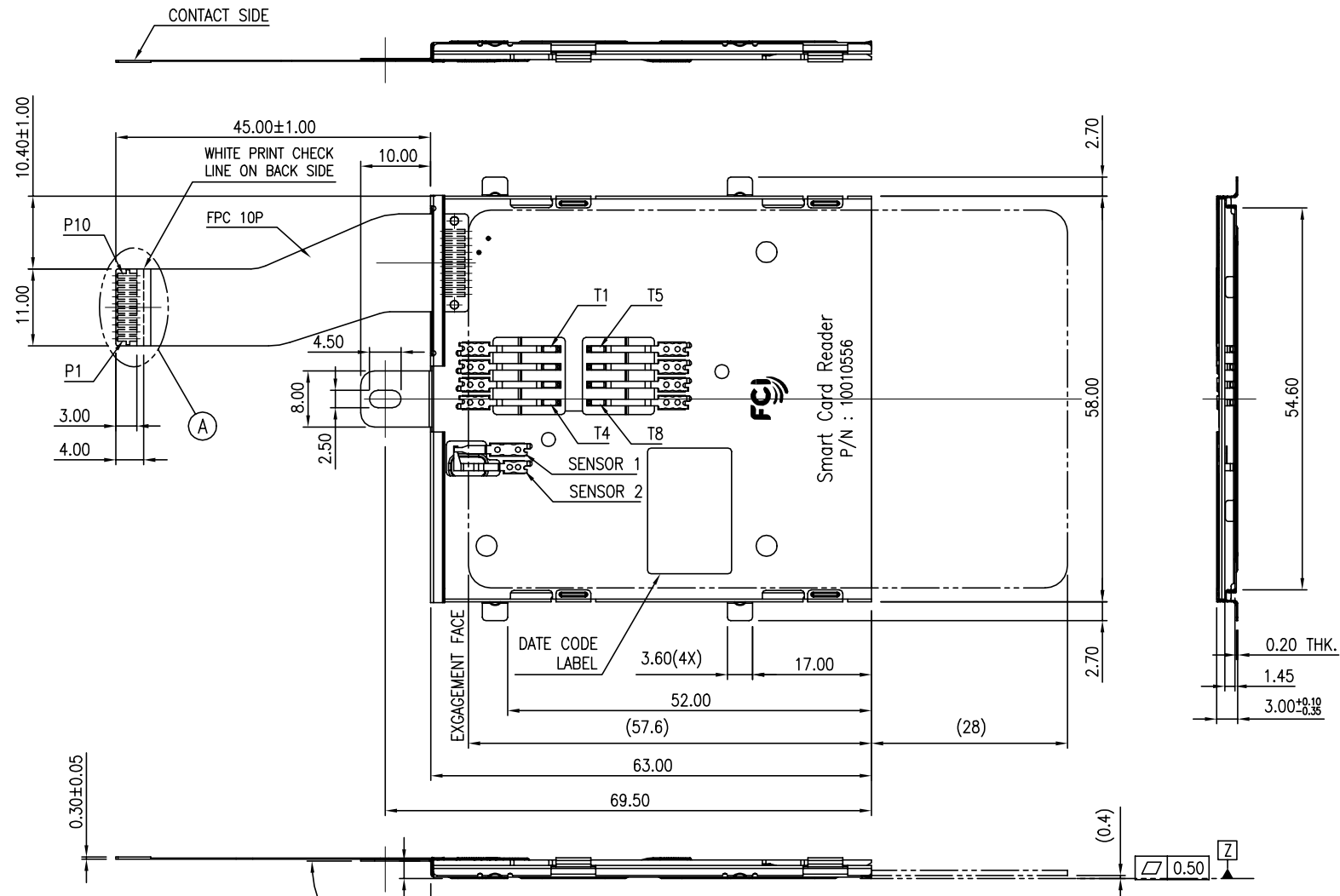
NOTES :

- SMART CARD READER FOR LOWER PROFILE HEIGHT OF 3.0 mm.
- TOTAL CIRCUIT RESISTANCE PER ONE LOOP SHALL NOT EXCEED 100 MILLIOHMS.
- MATERIALS :
CONTACTS : COPPER ALLOY, GOLD OVER NICKEL ON CONTACT AREA.
TOP PCB : FR4.
COVER : STAINLESS STEEL.
- ENVIRONMENT :
STORAGE TEMPERATURE : FROM -40°C TO 100°C.
OPERATION TEMPERATURE : FROM -40°C TO 85°C.

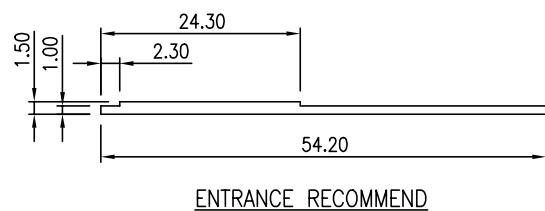


mat'l. code		surface ISO 1302 ✓		tolerance ISO 406 ISO 1101		projection 1:1		product family 95	
ltr ecn nldr		date		tolerances unless otherwise specified		title		SMART CARD READER ASSEMBLY	
R	N08-0136	SH	07/07/08	angles	0.X±0.5	MM		dwg no	
S	N08-0212	SH	10/06/08	linear	0.XX±0.30	scale NA		sheet 1 of 21	
T	N09-0224	SH	07/15/09	0±2'	0.XXX±0.10			size	
U	N09-0306	SH	10/13/09	dr	A.JUANG	06/07/02	FCI		A3
V	N10-0058	SH	03/03/10	enr	A.JUANG	06/07/02	type		Product Customer Drawing
W	ELX-N-012726	ZK	09/30/12	chr	A.JUANG	06/07/02			
				appd	JENN.TSAO	06/07/02			
sheet index	revision sheet								

PRODUCT NO.
10010556-002LF



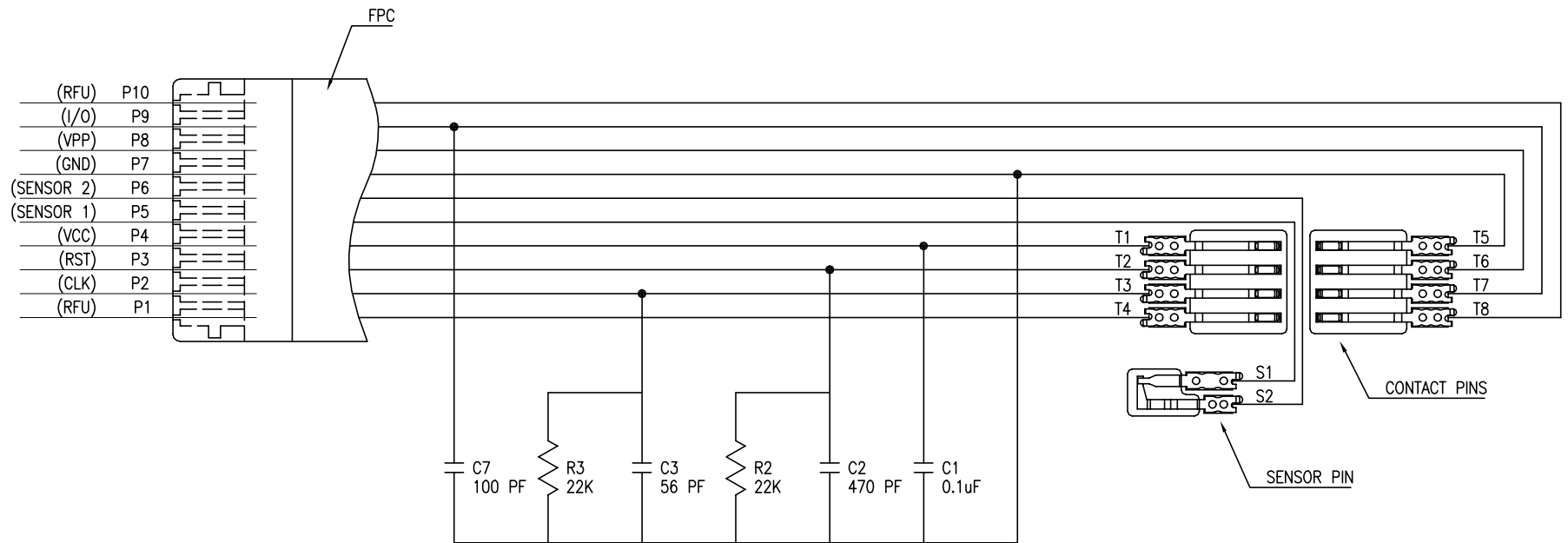
SMART CARD	TERMINAL	FPC	FUNC.
C4	T4	P1	RFU
C3	T3	P2	Clock
C2	T2	P3	Reset
C1	T1	P4	Vcc
SENSOR 1	SENSOR 1	P5	SENSOR
SENSOR 2	SENSOR 2	P6	SENSOR
C5	T5	P7	Gnd
C6	T6	P8	Vpp
C7	T7	P9	I/O
C8	T8	P10	RFU



mat'l. code		surface	tolerance	projection	product family
		ISO 1302 ✓	ISO 406 ISO 1101	MM	95
ltr	ecn	no	date	tolerances unless otherwise specified	
W				0.X±0.5	0.XX±0.30
				0±2'	0.XXX±0.10
				angles	linear
				dr	A.JUANG 06/07/02
				enr	A.JUANG 06/07/02
				chr	A.JUANG 06/07/02
				app	JENN.TSAO 06/07/02
sheet	revision				
index	sheet				
				scale	NA
				SMART CARD READER ASSEMBLY	
				dwg no	sheet 2 of 21
				10010556	A3
				type Product Customer Drawing	

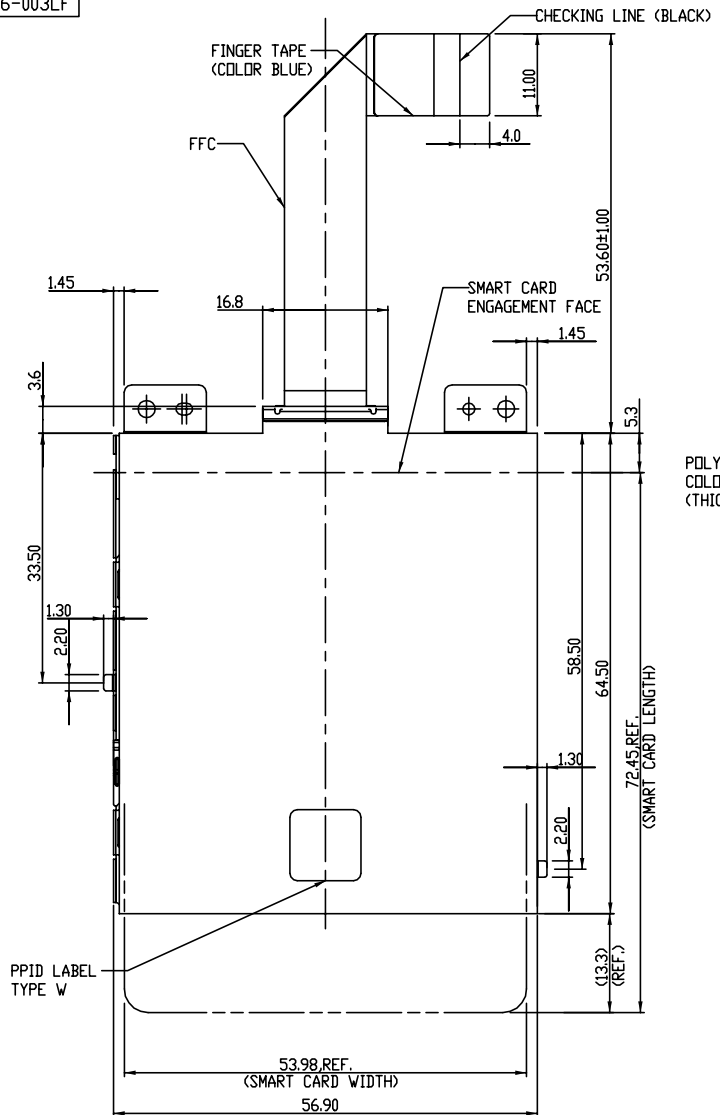
PRODUCT NO.

10010556-002LF



mat'l. code		surface	tolerance	projection	product family
		ISO 1302 ✓	ISO 406 ISO 1101		95
ltr	ecn	no	date	tolerances unless otherwise specified	
W				angles	linear
				0.X±0.5	MM
				0.XX±0.30	
				0±2'	0.XXX±0.10
				scale	NA
		dr	A.JUANG	06/07/02	
		enr	A.JUANG	06/07/02	
		chr	A.JUANG	06/07/02	
		appd	JENN.TSAO	06/07/02	
sheet		revision		dwg no	
index		sheet		sheet 3 of 21	
				size	
				A3	
				type Product Customer Drawing	

PART NUMBER
10010556-003LF

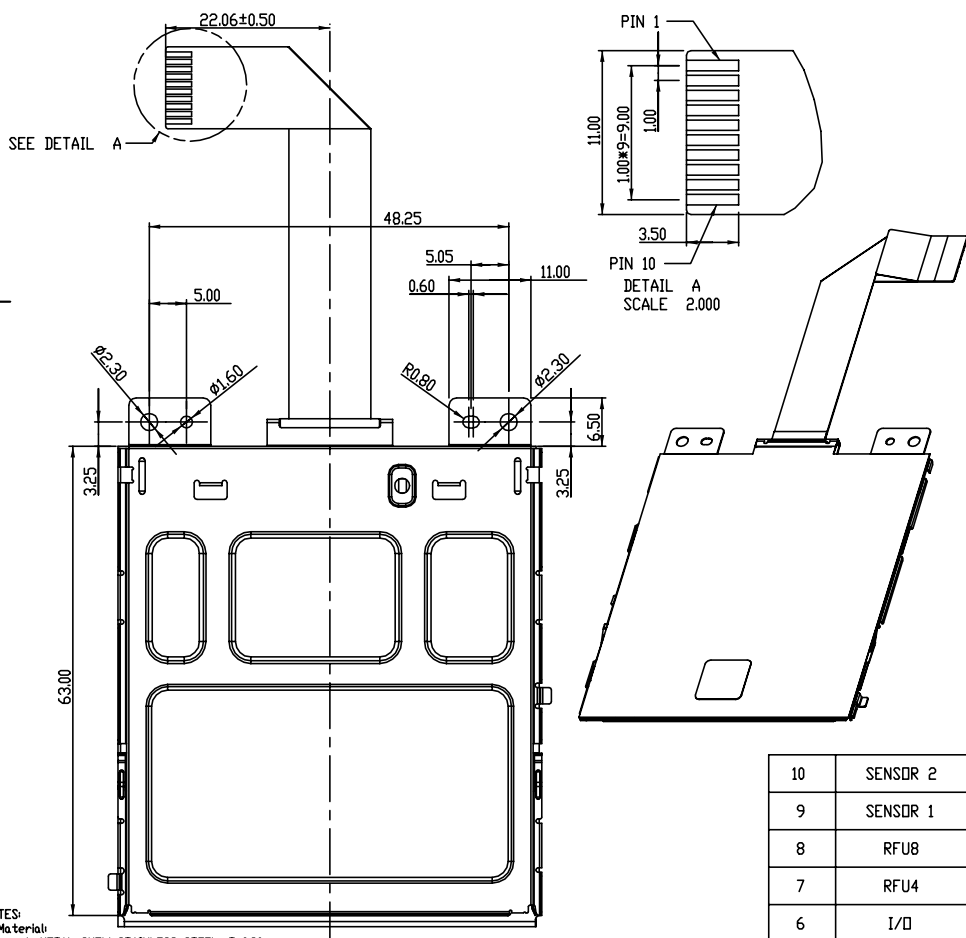


(0.76)
(SMART CARD THICKNESS)

POLYESTER FILM
COLOR:BLACK
(THICKNESS:0.10mm)

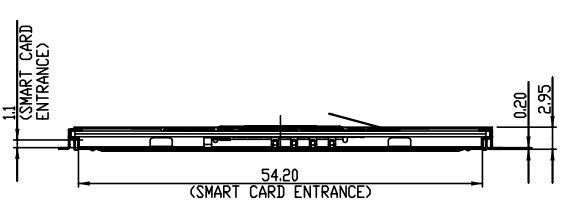
3.0
(REF.)

3.1
(REF.)



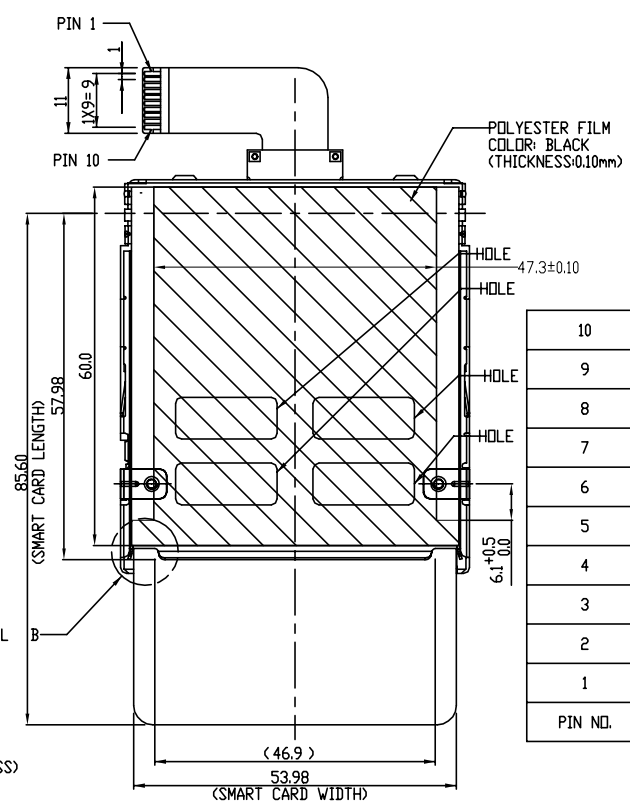
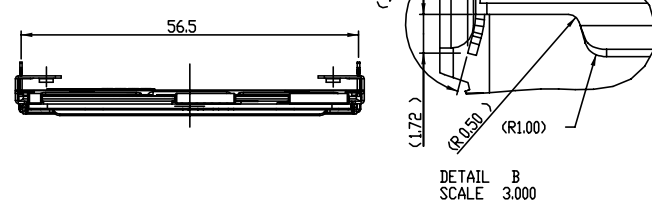
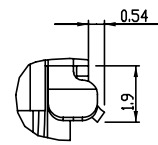
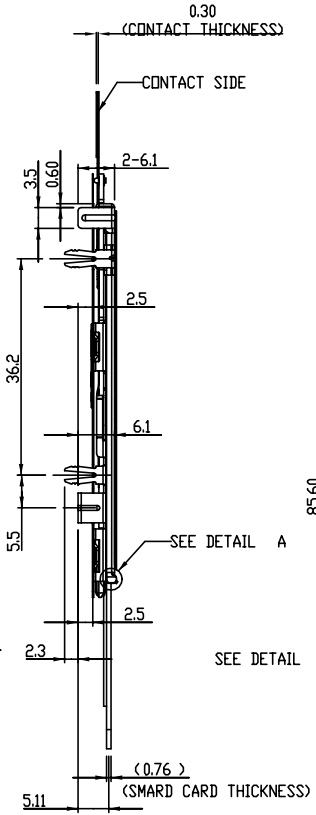
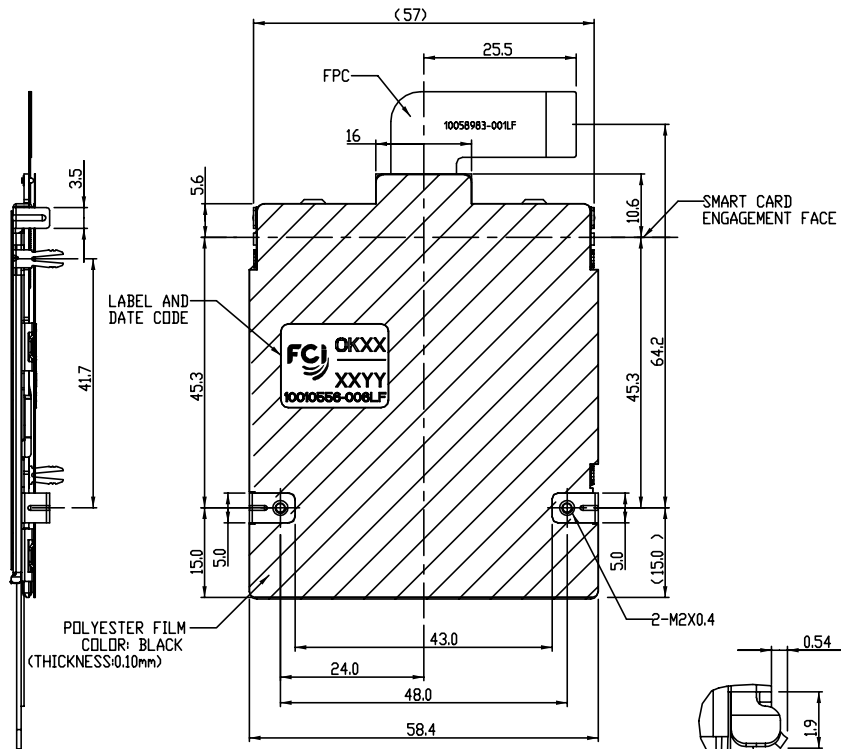
- NOTES:
1. Materials:
 - 1a. METAL SHELL: STAINLESS STEEL, T=0.20mm.
 - 1b. GUIDE BLOCK: THERMOPLASTIC, UL94V-0.
 - 1c. PCB: FR-4, T=0.80mm, UL94V-0.
 - 1d. FLAT CABLE: POLYESTER, UL20624, NO PRINTING, PLATING SPEC AS BELOW:
 - CONTACT SIDE PLATING: Au 1-3 uin.
 - SOLDER SIDE PLATING: Matte Tin 50uin. Min.
 - 1e. TERMINAL: PHOSPHOR BRONZE, PLATING SPEC AS BELOW:
 - UNDERPLATING: Ni 100 uin Min.
 - CONTACT PLATING: Au 30 uin Min.
 - SOLDER TAIL: Matte TIN 75 uin Min.
 2. LEAD FREE AND ROHS COMPLIANT PRODUCT.
 3. CARD DETECTION SWITCH NORMALLY OPEN WITHOUT MATING CARD.
 4. REFERENCE SPECIFICATION:
 - PRODUCT SPEC: GS-12-231.
 - PACKING SPEC: GS-14-829.

10	SENSDR 2	
9	SENSDR 1	
8	RFU8	C 8
7	RFU4	C 4
6	I/D	C 7
5	CLOCK	C 3
4	VPP	C 6
3	RESET	C 2
2	GND	C 5
1	VCC	C 1
PIN NO.	ASSIGNMENT	DEFINED BY ISD 7816



mat'l. code	surface ISO 1302 ✓	tolerance ISO 406 ISO 1181	projection 1181	product family 95
ltr ecn nldr date	tolerances unless otherwise specified			title SMART CARD READER ASSEMBLY
W	angles 0±2'	linear 0.X±0.5 0.XX±0.30 0.XXX±0.10	MM scale NA	dwg no 10010556
dr	A.JUANG	06/07/02	FCJ	sheet 4 of 21 size A3
enr	A.JUANG	06/07/02		type Product Customer Drawing
chr	A.JUANG	06/07/02		
appd	JENN.TSAO	06/07/02		
sheet index	revision sheet			

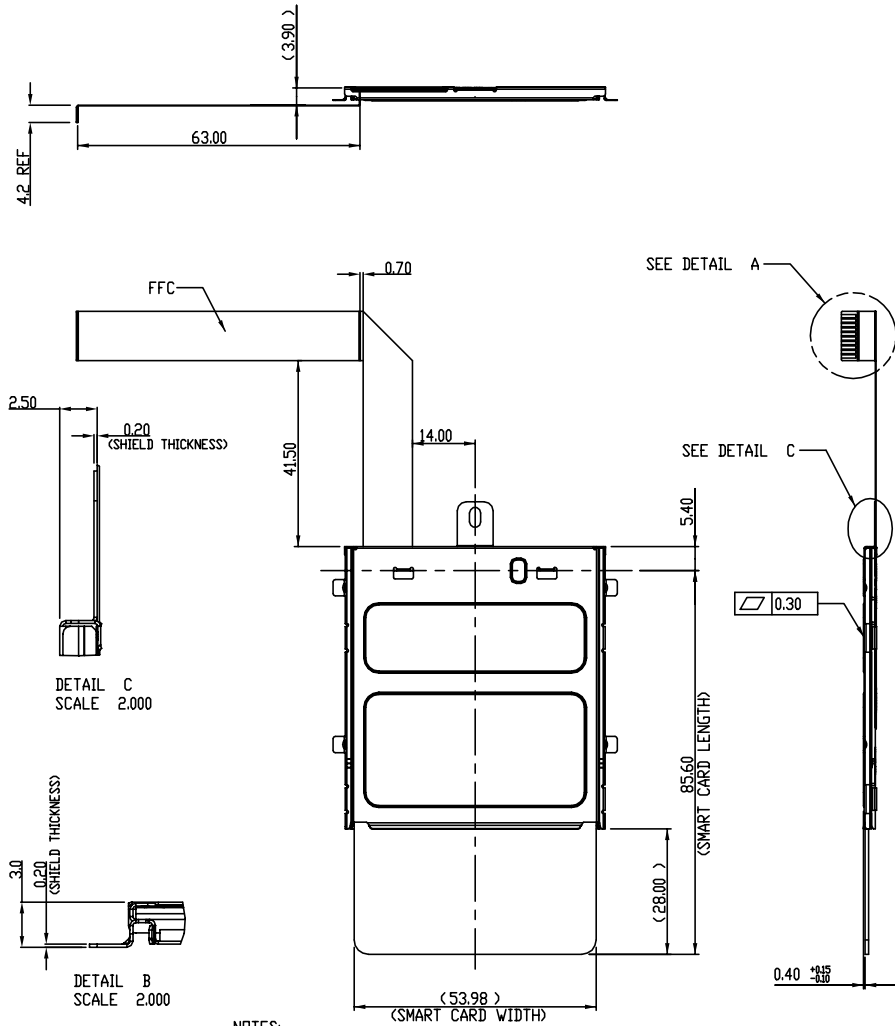
PRODUCT NO
10010556-006LF



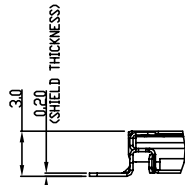
PIN NO.	ASSIGNMENT
10	SENSOR 2
9	SENSOR 1
8	RFU
7	I/O
6	Vpp
5	Gnd
4	RFU
3	Clock
2	Reset
1	Vcc

mat'l. code	surface	tolerance	projection	product family
	ISO 1302	ISO 406	ISO 1101	95
ltr ecn nldr date	tolerances unless otherwise specified			title
W	angles	linear	MM	SMART CARD READER ASSEMBLY
	0±2'	0.X±0.5 0.XX±0.30 0.XXX±0.10	scale NA	
dr	A.JUANG	06/07/02	FCI	dwg no
enr	A.JUANG	06/07/02		sheet 6 of 21
chr	A.JUANG	06/07/02		size
app'd	JENN.TSAO	06/07/02		A3
sheet index	revision sheet			type Product Customer Drawing

PRODUCT NO
10010556-004LF



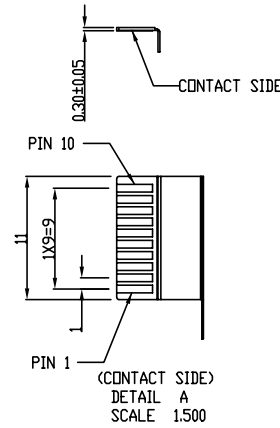
DETAIL C
SCALE 2.000



DETAIL B
SCALE 2.000

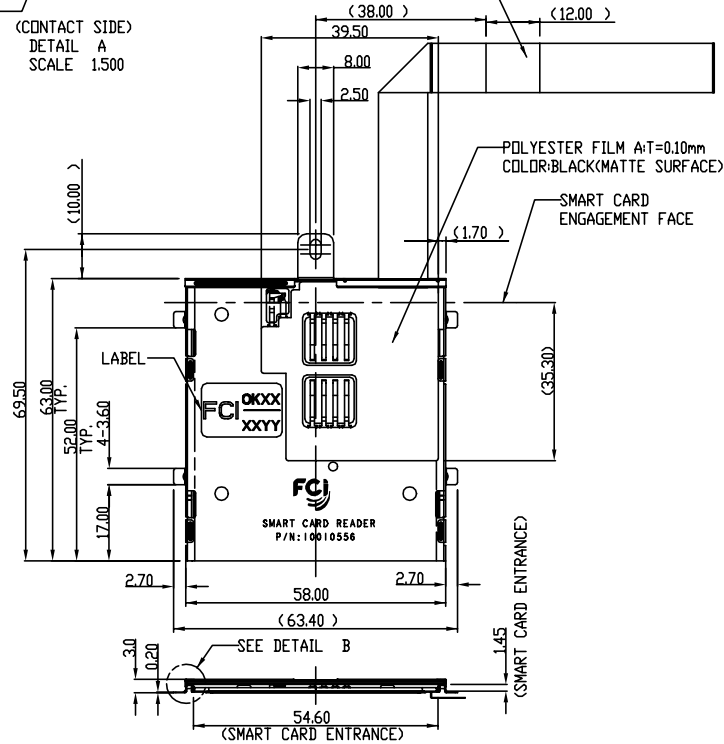
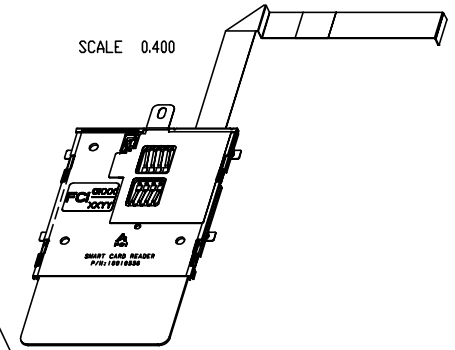
NOTES:

- Material:
METAL SHELL: STAINLESS STEEL, T=0.20mm
PCB: FR-4, T=0.80mm
TERMINAL: PHOSPHOR BRONZE.
PLATING SPEC AS BELOW:
ALL OVER NICKEL UNDERPLATING
GOLD PLATING ON CONTACT SURFACE.
MATTE TIN PLATING ON SOLDER TAIL.
FLEXIBLE FLAT CABLE: TOTAL LENGTH=124±2mm
PLATING SPEC AS BELOW:
CONTACT SURFACE: TIN PLATING.
SOLDER TAIL: TIN PLATING.
- CARD DETECTION SWITCH NORMALLY OPEN WITHOUT MATING CARD
- REFERENCE SPECIFICATION:
PRODUCT SPEC. GS 12-231
PACKING SPEC. GS 14-829



POLYESTER FILM B: T=0.10mm
COLOR: BLACK (MATTE SURFACE)

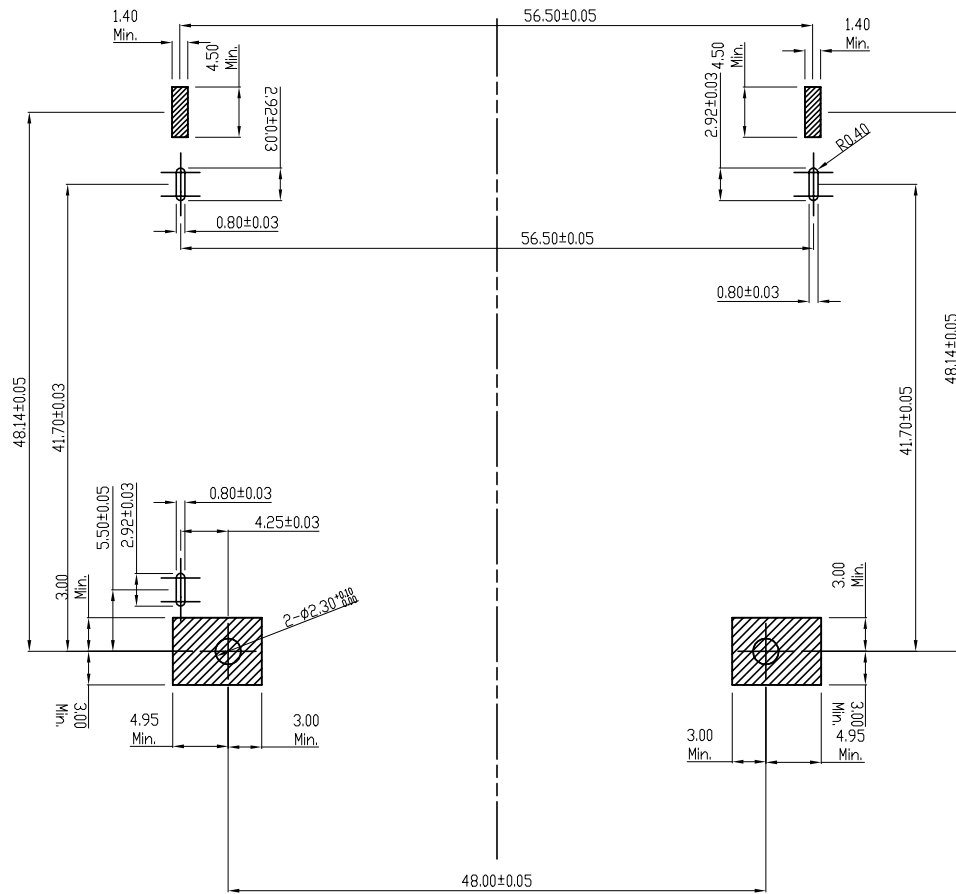
SCALE 0.400



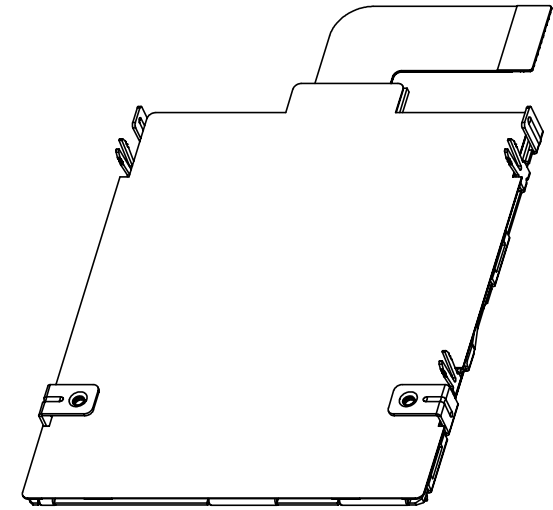
10	RFU
9	I/O
8	Vpp
7	GND
6	Sensor 2
5	Sensor 1
4	Vcc
3	Reset
2	Clock
1	RFU
PIN NO.	ASSIGNMENT

mat'l. code	surface	tolerance	projection	product family
	ISO 1302 ✓	ISO 406 ISO 1101		95
ltr ecn nldr date	tolerances unless otherwise specified			title
W	angles	0.X±0.5	MM	SMART CARD READER ASSEMBLY
	linear	0.XX±0.30		
	0±2'	0.XXX±0.10	scale NA	
dr	A.JUANG	06/07/02	FCI	dwg no
enr	A.JUANG	06/07/02		sheet 5 of 21
chr	A.JUANG	06/07/02		size
app'd	JENN.TSAO	06/07/02		A3
sheet index	revision sheet			type Product Customer Drawing

PRODUCT NO
10010556-006LF



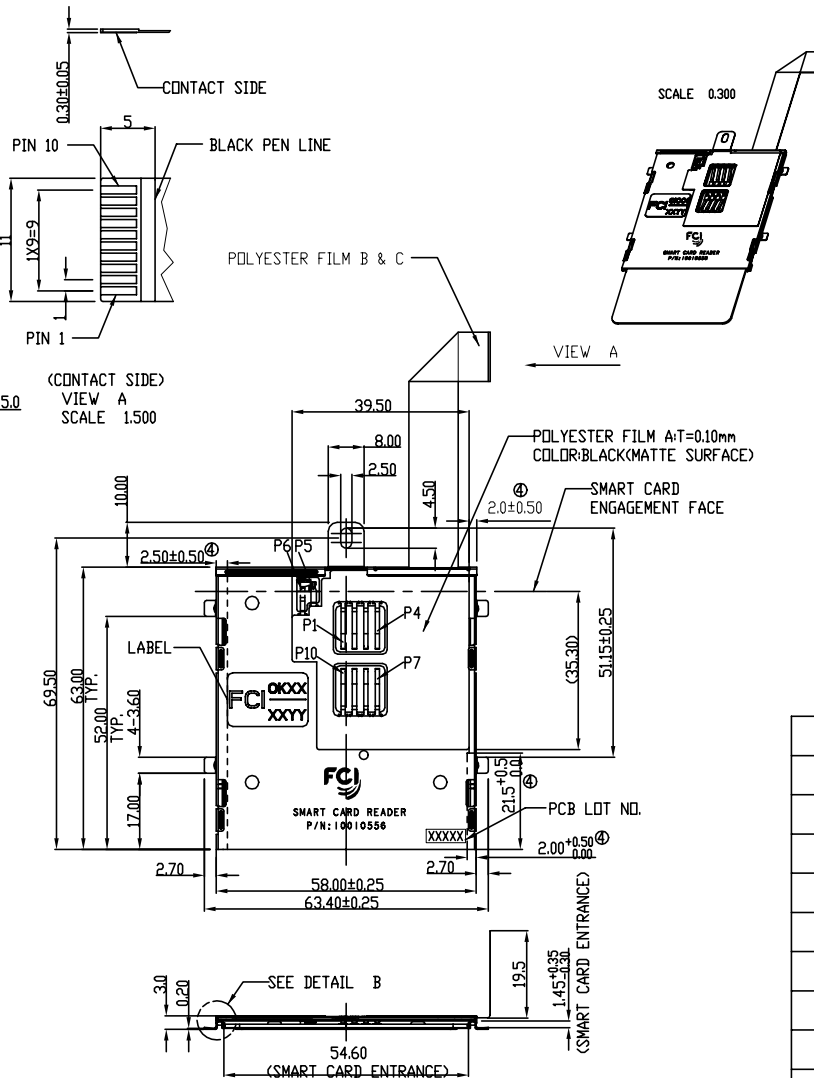
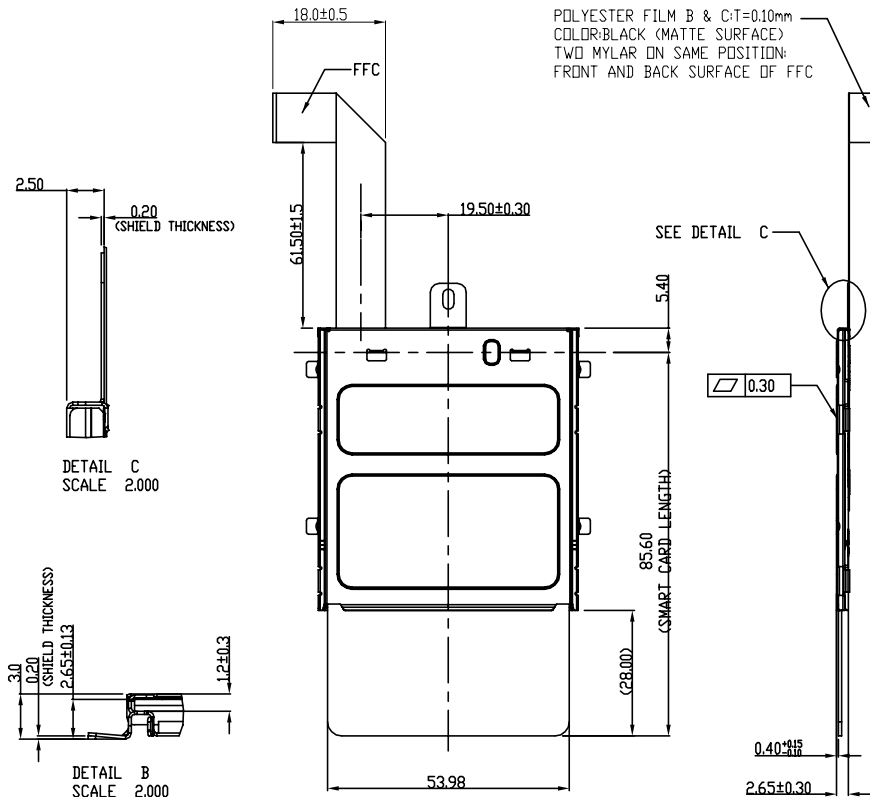
RECOMMENDED PCB LAYOUT
(PCB THICKNESS: 1.2 mm)
(MOUNTING SIDE)



- NOTES:
- MATERIAL:
METAL SHELL: STAINLESS STEEL, T=0.40mm
PCB: FR-4, T=0.80mm
TERMINAL: PHOSPHOR BRONZE.
PLATING SPEC AS BELOW:
ALL OVER NICKEL UNDERPLATING
GOLD PLATING ON CONTACT SURFACE.
MATTE TIN PLATING ON SOLDER TAIL.
FLEX CIRCUIT CABLE(FPC):
PLATING SPEC AS BELOW:
CONTACT SURFACE: GOLD FLASH PLATING.
SOLDER TAIL: PURE TIN PLATING.
 - CARD DETECTION SWITCH NORMALLY OPEN WITHOUT MATING CARD
 - REFERENCE SPECIFICATION:
PRODUCT SPEC. GS-12-231
PACKING SPEC. GS-14-829

mat'l. code		surface ISO 1302 ✓		tolerance ISO 406 ISO 1101		projection 1:1		product family 95	
ltr ecn nopr date		tolerances unless otherwise specified						title	
W		angles		0.X±0.5		MM		SMART CARD READER ASSEMBLY	
		linear		0.XX±0.30					
		0±2'		0.XXX±0.10		scale NA		dwg no sheet 7 of 21 size	
		dr A.JUANG		06/07/02		FCJ		10010556 A3	
		enr A.JUANG		06/07/02				type Product Customer Drawing	
		chr A.JUANG		06/07/02					
		appd JENN.TSAO		06/07/02					
sheet index		revision sheet							

PRODUCT NO
10010556-005LF

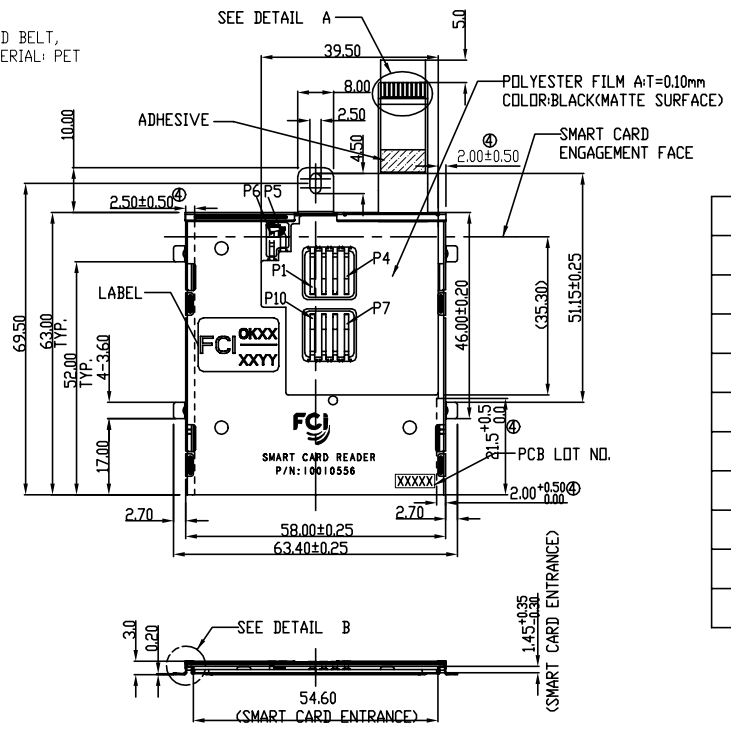
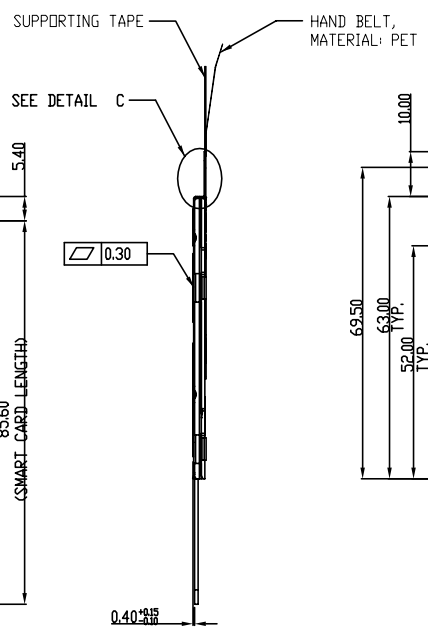
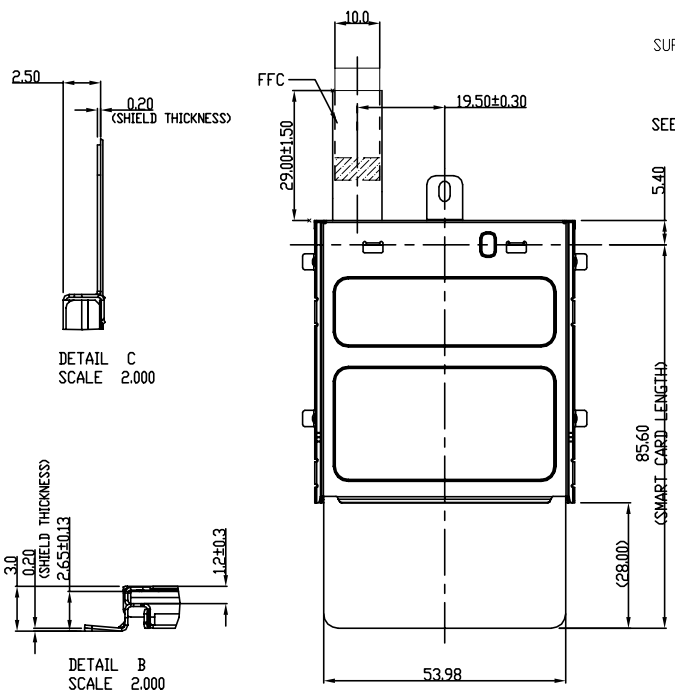
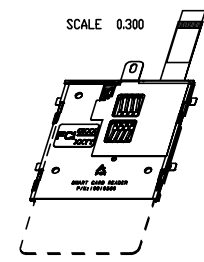
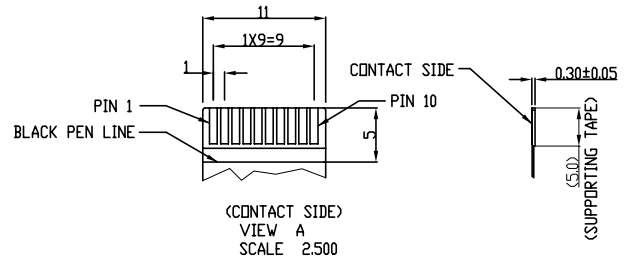


10	RFU
9	I/O
8	Vpp
7	GND
6	Sensor 2
5	Sensor 1
4	Vcc
3	Reset
2	Clock
1	RFU
PIN NO.	ASSIGNMENT

- NOTES:
1. Material:
METAL SHELL: STAINLESS STEEL, T=0.20mm
PCB: FR-4, T=0.80mm
TERMINAL: PHOSPHOR BRONZE.
PLATING SPEC AS BELOW:
ALL OVER NICKEL UNDERPLATING
GOLD PLATING ON CONTACT SURFACE.
MATTE TIN PLATING ON SOLDER TAIL.
FLEXIBLE
FLAT CABLE: TOTAL LENGTH=103.5±2mm
PLATING SPEC AS BELOW:
CONTACT SURFACE: TIN PLATING.
SOLDER TAIL: TIN PLATING.
2. CARD DETECTION SWITCH NORMALLY OPEN WITHOUT MATING CARD
3. REFERENCE SPECIFICATION:
PRODUCT SPEC. GS 12-231
PACKING SPEC. GS 14-829
④ THE AREA IS PROHIBITED TO PASTE THE MYLAR AND LABEL.

mat'l. code	surface ISO 1302 ✓	tolerance ISO 406 ISO 1101	projection 1:1	product family 95
ltr ecn nldr date	tolerances unless otherwise specified			title SMART CARD READER ASSEMBLY
W	angles 0±2'	linear 0.X±0.5 0.XX±0.30 0.XXX±0.10	MM	scale NA
dr	A.JUANG	06/07/02	dwg no sheet 8 of 21 size	
enr	A.JUANG	06/07/02	10010556 A3	
chr	A.JUANG	06/07/02	type Product Customer Drawing	
app'd	JENN.TSAO	06/07/02	FCJ	
sheet index	revision sheet			

PRODUCT NO
10010556-008LF

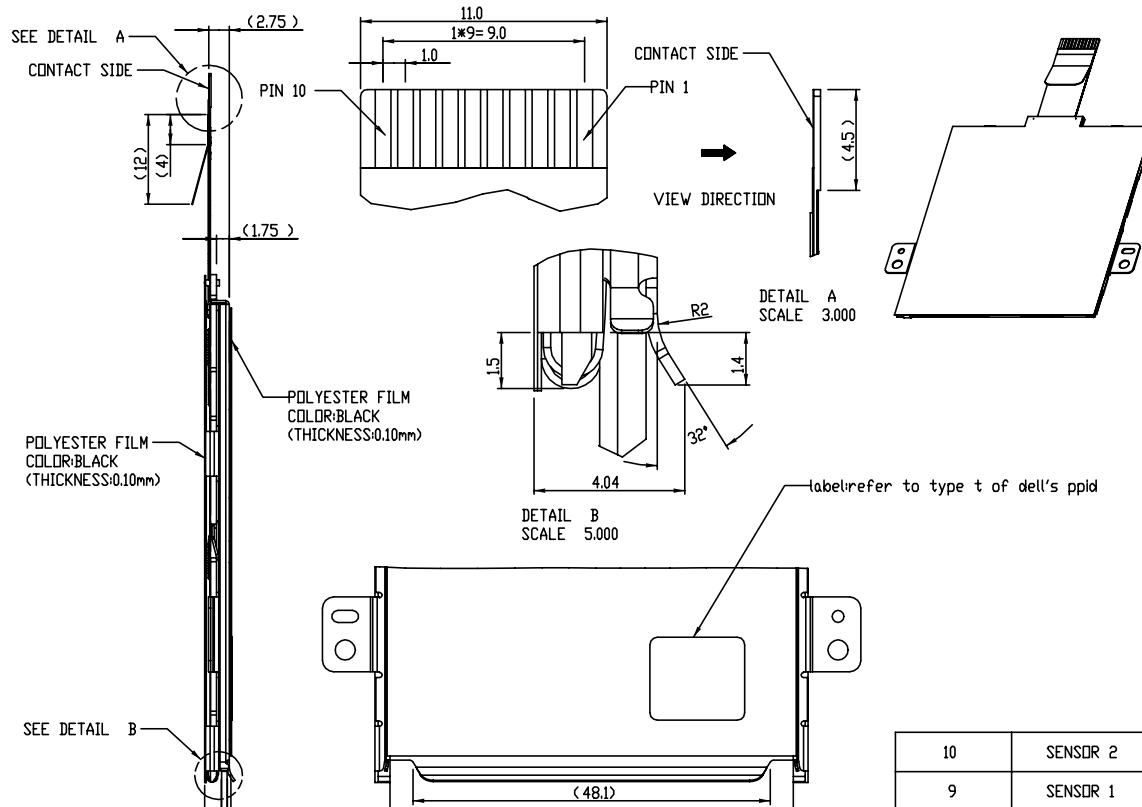
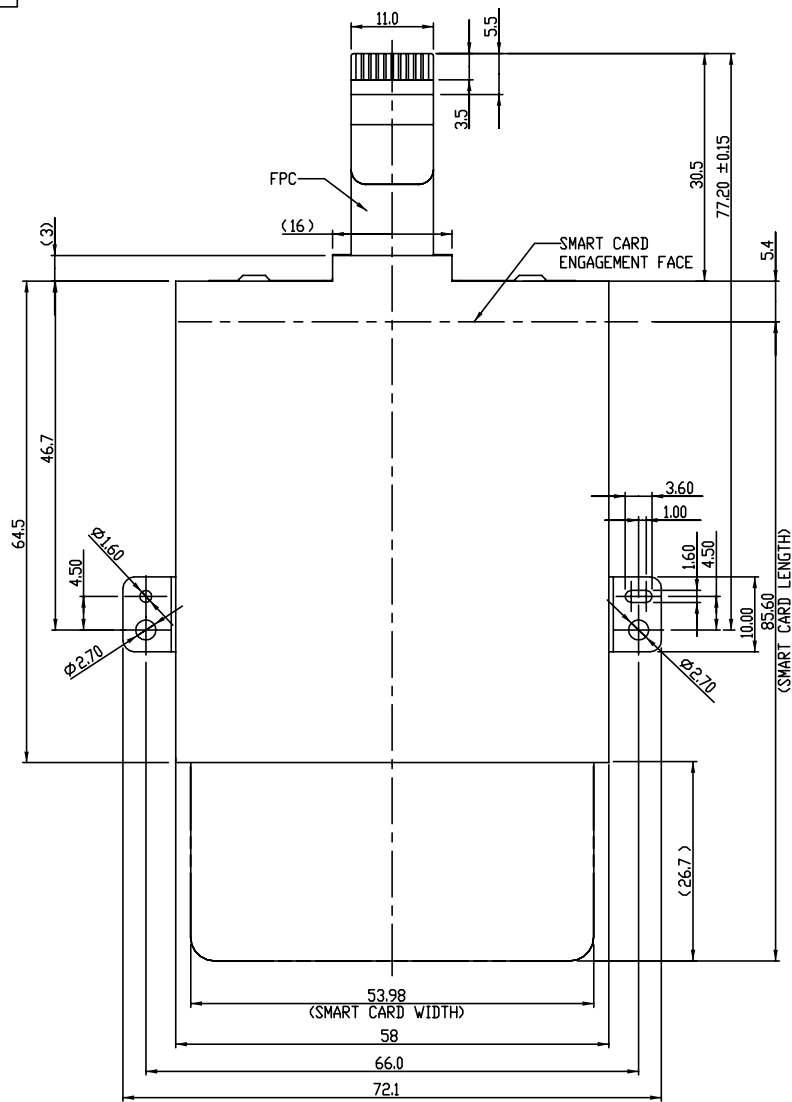


10	RFU
9	I/O
8	Vpp
7	GND
6	Sensor 2
5	Sensor 1
4	Vcc
3	Reset
2	Clock
1	RFU
PIN NO.	ASSIGNMENT

NOTES:
 1. Material:
 METAL SHELL: STAINLESS STEEL, T=0.20mm
 PCB: FR-4, T=0.80mm
 TERMINAL: PHOSPHOR BRONZE.
 PLATING SPEC AS BELOW:
 ALL OVER NICKEL UNDERPLATING
 GOLD PLATING ON CONTACT SURFACE.
 MATTE TIN PLATING ON SOLDER TAIL.
 FLEXIBLE FLAT CABLE: TOTAL LENGTH=33.5±1mm
 PLATING SPEC AS BELOW:
 CONTACT SURFACE: TIN PLATING.
 SOLDER TAIL: TIN PLATING.
 2. CARD DETECTION SWITCH NORMALLY OPEN WITHOUT MATING CARD
 3. REFERENCE SPECIFICATION:
 PRODUCT SPEC. GS 12-231
 PACKING SPEC. GS 14-829
 ④ THE AREA IS PROHIBITED TO PASTE THE MYLAR AND LABEL.

mat'l. code	surface	tolerance	projection	product family
	ISO 1302	ISO 406	ISO 1101	95
ltr ecn nldr date	tolerances unless otherwise specified			title
W	angles	linear	MM	SMART CARD READER ASSEMBLY
	0±2'	0.X±0.5 0.XX±0.30 0.XXX±0.10	scale NA	
dr	A.JUANG	06/07/02	FCJ	dwg no
enr	A.JUANG	06/07/02		sheet 9 of 21
chr	A.JUANG	06/07/02		size
app'd	JENN.TSAO	06/07/02		A3
sheet index	revision sheet	type Product Customer Drawing		

PART NUMBER
10010556-007LF

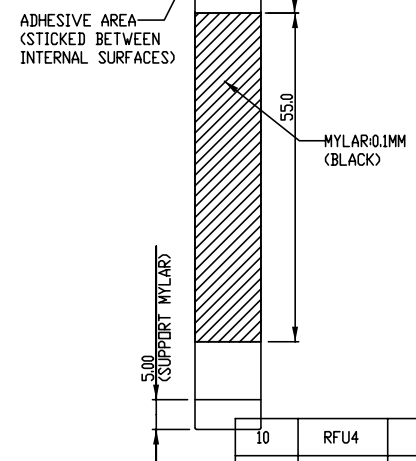
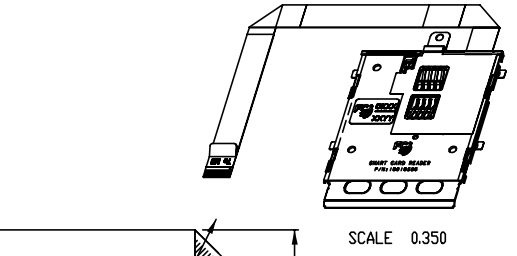
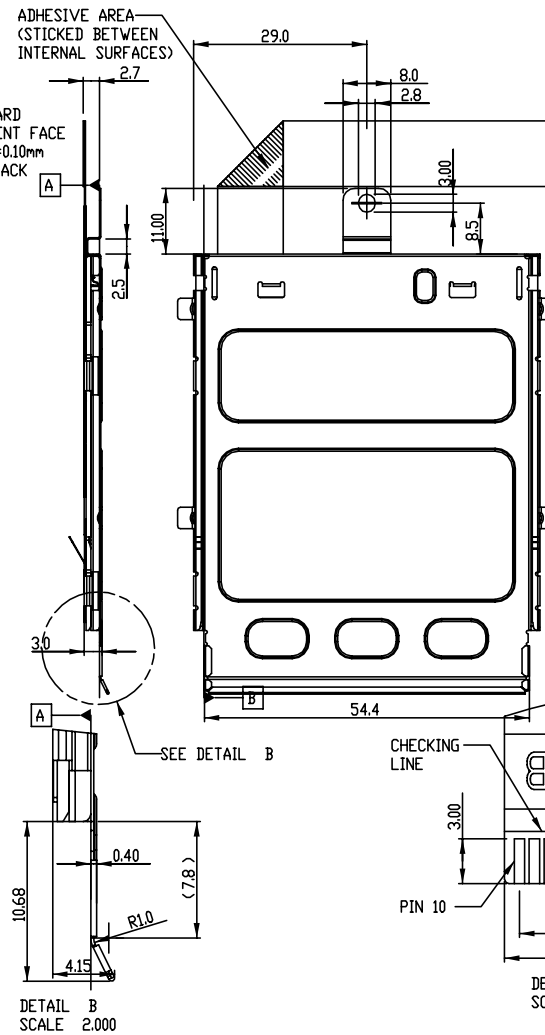
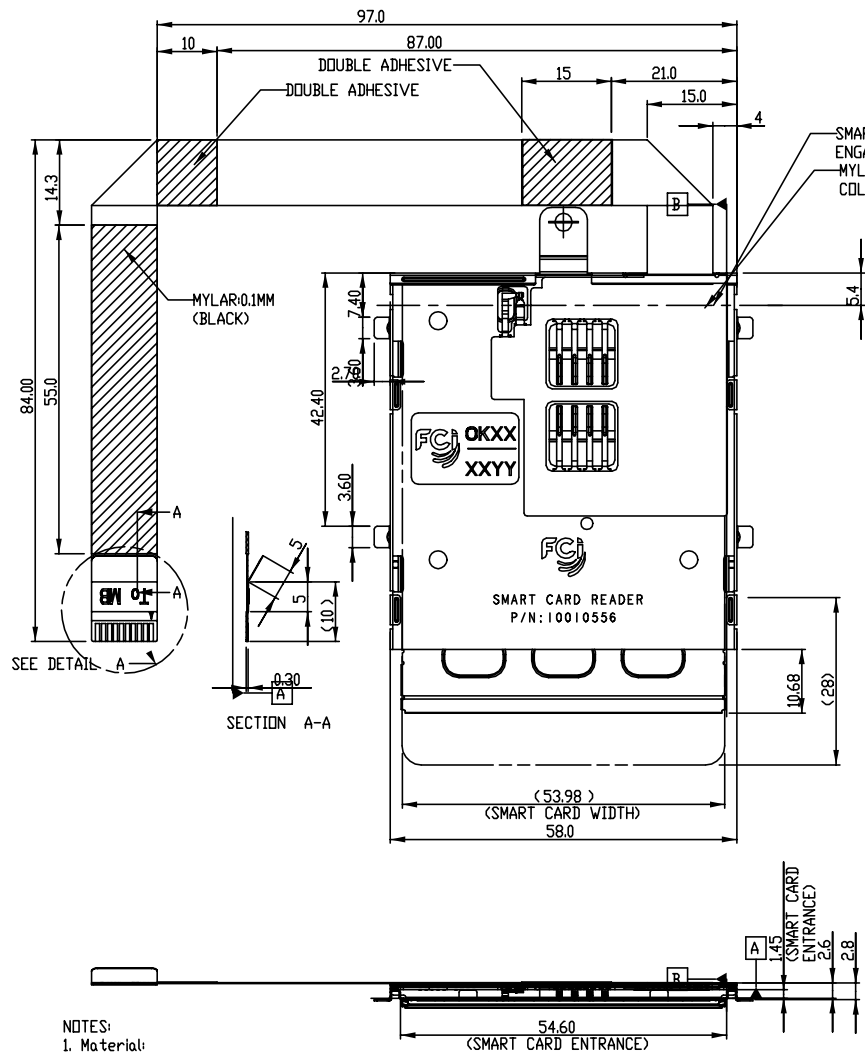


NOTE:
1. Material:
METAL SHELL: STAINLESS STEEL, T=0.30mm
GUIDE BLOCK: THERMOPLASTIC, UL94V-0.
PCB: FR-4, T=0.80mm, UL94V-0.
FPC: POLYIMIDE, T=0.30mm, UL94V-0.
PLATING SPEC AS BELOW:
UNDERPLATING: Ni 50 uin Min.
CONTACT SIDE PLATING: Au 3 uin, Min.
SOLDER SIDE PLATING: Pure Tin 100 uin Min.
TERMINAL: COPPER ALLOY.
PLATING SPEC AS BELOW:
UNDERPLATING: Ni 50 uin Min.
CONTACT PLATING: Au 30 uin Min.
SOLDER TAIL: Pure TIN 75 uin Min.
2. CARD DETECTION SWITCH NORMALLY OPEN WITHOUT MATING CARD
3. REFERENCE SPECIFICATION:
PRODUCT SPEC: GS-12-231.
PACKING SPEC: GS-14-829.

10	SENSOR 2
9	SENSOR 1
8	RFU
7	I/O
6	VPP
5	GND
4	RFU
3	CLOCK
2	RESET
1	VCC
PIN NO.	ASSIGNMENT

mat'l. code	surface	tolerance	projection	product family
	ISO 1302 ✓	ISO 406 ISO 1101		95
ltr ecn nldr date	tolerances unless otherwise specified			
W	angles	linear	MM	SMART CARD READER ASSEMBLY
	0±2'	0.X±0.5 0.XX±0.30 0.XXX±0.10	scale NA	dwg no 10010556 sheet 10 of 21 size A3
dr	A.JUANG	06/07/02	FCJ	
enr	A.JUANG	06/07/02	type Product Customer Drawing	
chr	A.JUANG	06/07/02		
appd	JENN.TSAO	06/07/02		
sheet index	revision sheet			

PART NUMBER
10010556-009LF

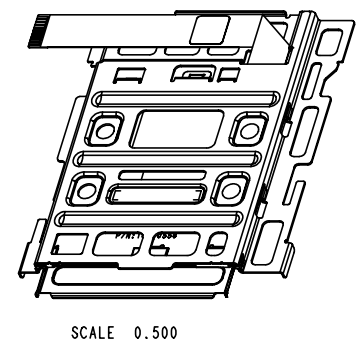
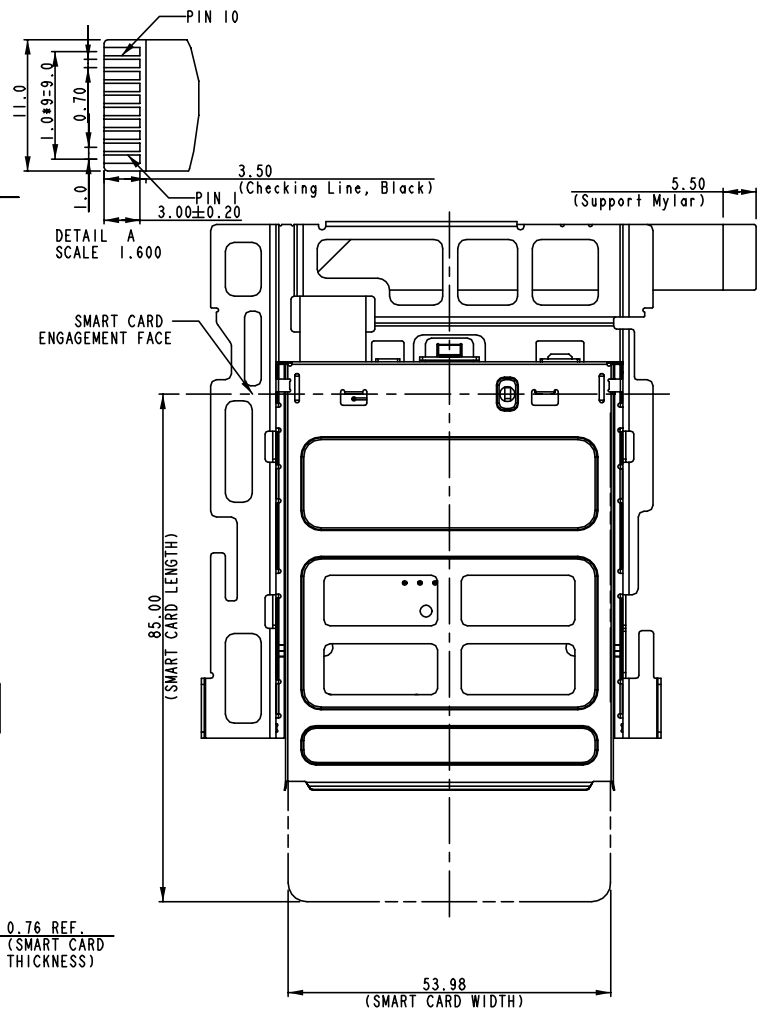
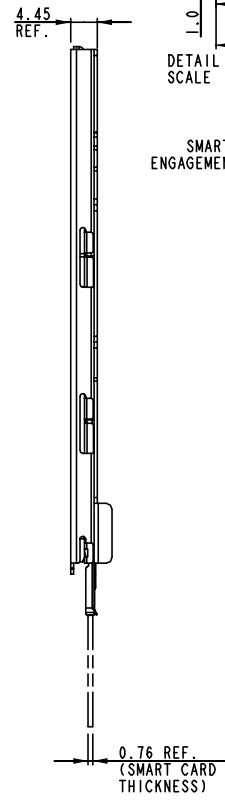
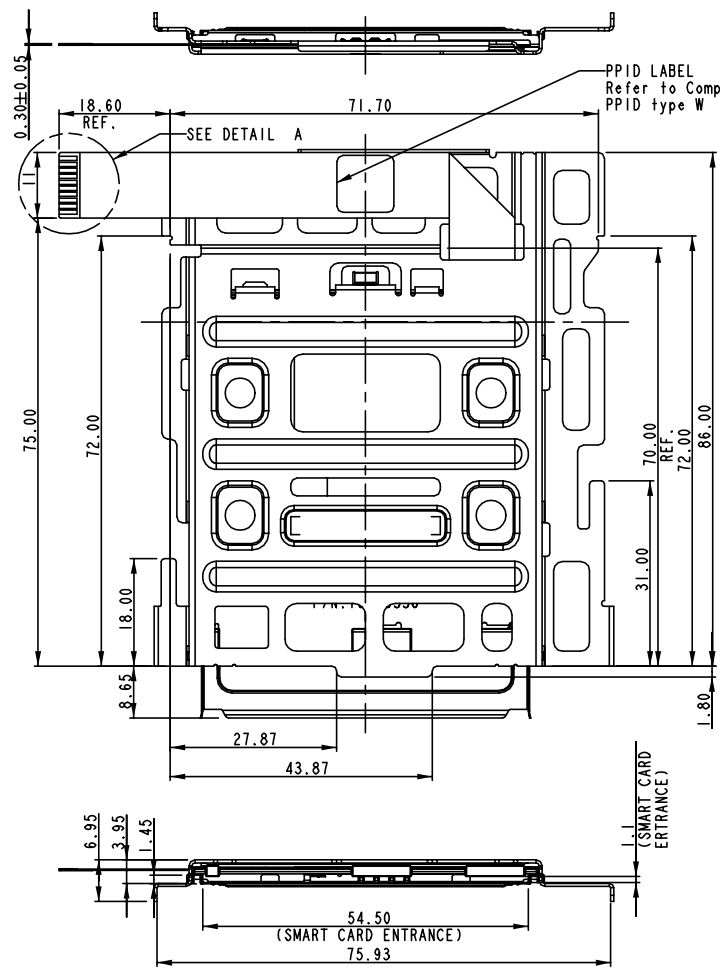


10	RFU4	C4
9	CLOCK	C3
8	RESET	C2
7	VCC	C1
6	Sensor 2	
5	Sensor 1	
4	GND	C5
3	VPP	C6
2	I/O	C7
1	RFUB	C8
PIN NO.	ASSIGNMENT	PIN NO. DEFINED BY ISD-7816

NOTES:
1. Material:
METAL SHELL: STAINLESS STEEL, T=0.20mm
PCB: FR-4, T=0.80mm
TERMINAL: COPPER ALLOY.
PLATING SPEC AS BELOW:
ALL OVER NICKEL UNDERPLATING
GOLD PLATING ON CONTACT SURFACE.
MATTE TIN PLATING ON SOLDER TAIL.
FLEXIBLE FLAT CABLE: TOTAL LENGTH=33.5±1mm
PLATING SPEC AS BELOW:
CONTACT SURFACE: TIN PLATING.
SOLDER TAIL: TIN PLATING.
2. CARD DETECTION SWITCH NORMALLY OPEN WITHOUT MATING CARD

mat'l. code	surface	tolerance	projection	product family
	ISD 1302	ISD 406	ISD 118	95
ltr ecn nodr date	tolerances unless otherwise specified			title
W	angles	0.X±0.5	MM	SMART CARD READER ASSEMBLY
	linear	0.XX±0.30		
	0±2'	0.XXX±0.10	scale NA	
dr	A.JUANG	06/07/02	FCJ	dwg no
enr	A.JUANG	06/07/02		sheet 11 of 21
chr	A.JUANG	06/07/02		size
app	JENN.TSAO	06/07/02		A3
sheet index	revision sheet		type	Product Customer Drawing

PART NUMBER
10010556-010LF

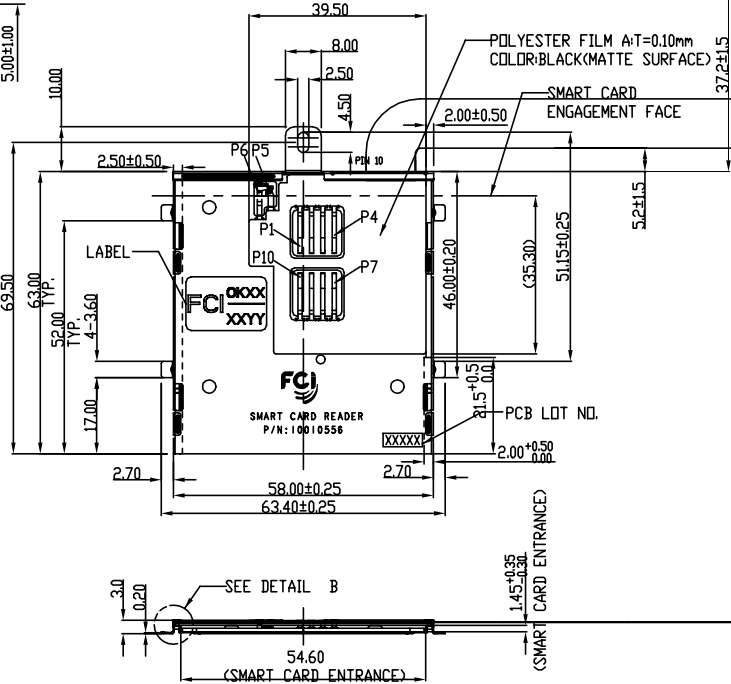
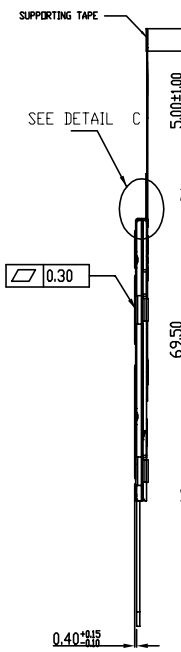
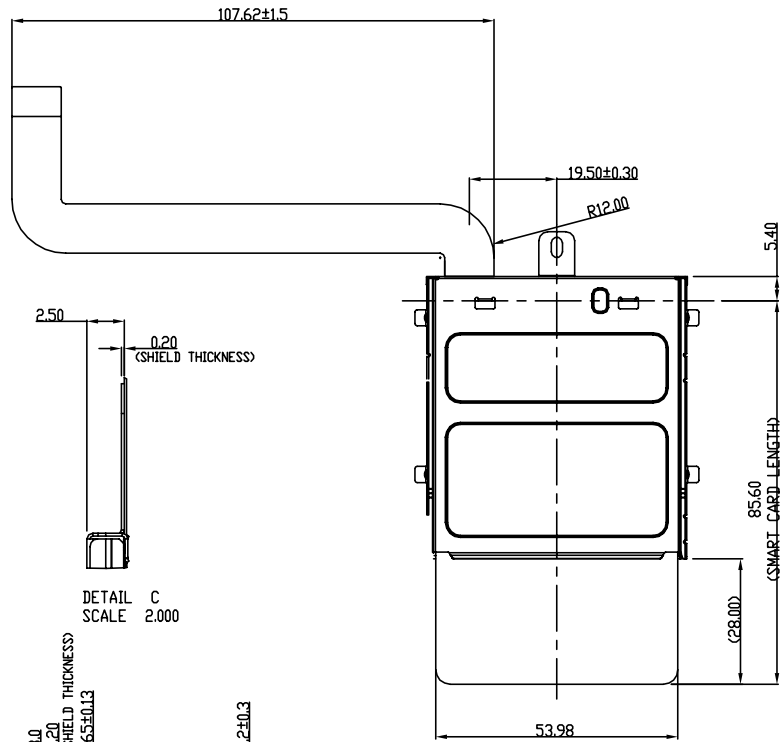
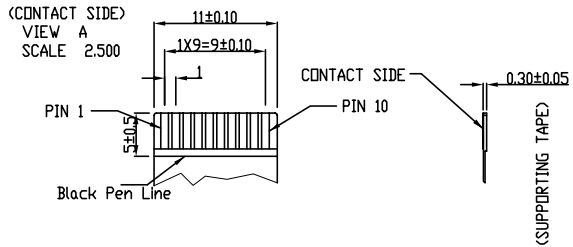


10	VCC	C1
9	Reset	C2
8	Clock	C3
7	RFU4	C4
6	Gnd	C5
5	VPP	C6
4	I/O	C7
3	RFU8	C8
2	SENSOR 2	
1	SENSOR 1	
PIN NO.	ASSIGNMENT	PIN NO. DEFINED BY ISO-7816

NOTE:
 1. Material:
 METAL SHELL: STAINLESS STEEL
 BRACKET: STEEL
 GUIDE BLOCK: THERMOPLASTIC, UL94V-0.
 PCB: FR-4, T=0.80mm, UL94V-0.
 FFC: POLYESTER, UL20624.
 PLATING SPEC AS BELOW:
 CONTACT SIDE PLATING: GOLD.
 SOLDER SIDE PLATING: Pure Tin.
 TERMINAL: COPPER ALLOY.
 PLATING SPEC AS BELOW:
 UNDERPLATING: NICKEL.
 CONTACT PLATING: GOLD.
 SOLDER TAIL: Pure TIN.
 2. CARD DETECTION SWITCH NORMALLY OPEN WITHOUT MATING CARD
 3. REFERENCE SPECIFICATION:
 PRODUCT SPEC.: GS-12-231.
 PACKING SPEC.: GS-14-829.

mat'l. code	surface	tolerance	projection	product family
	ISO 1302	ISO 406	ISO 1101	95
ltr ecn nldr date	tolerances unless otherwise specified			title
W	angles	linear	MM	SMART CARD READER ASSEMBLY
	0±2'	0.X±0.5 0.XX±0.30 0.XXX±0.10	scale NA	
dr	A.JUANG	06/07/02	FCI	dwg no
enr	A.JUANG	06/07/02		sheet 2 of 21
chr	A.JUANG	06/07/02		size
app	JENN.TSAO	06/07/02		A3
sheet index	revision sheet	type Product Customer Drawing		

PRODUCT NO
10010556-011LF



10	RFU	10
9	I/O	9
8	Vpp	8
7	GND	7
6	Sensor 2	6
5	Sensor 1	5
4	Vcc	pin 4
3	Reset	pin 3
2	Clock	pin 2
1	RFU	pin 1
Terminal	ASSIGNMENT	FPC

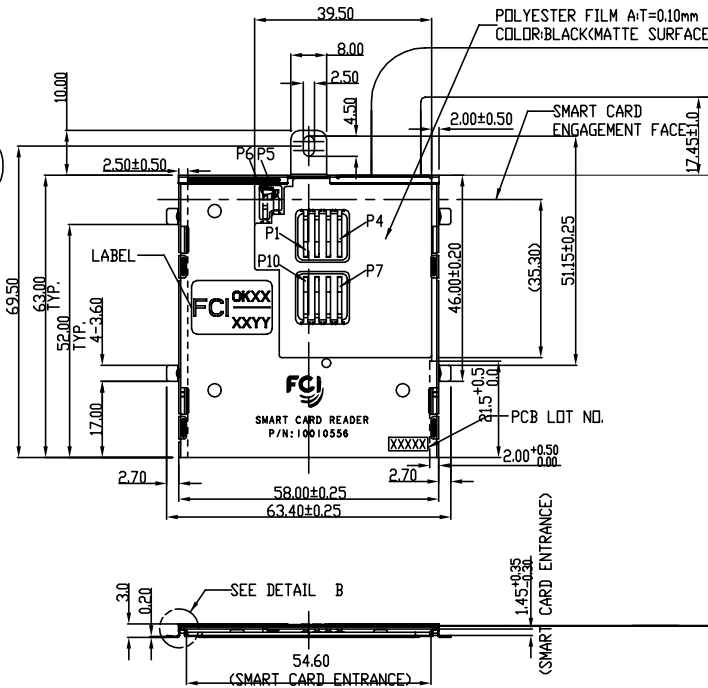
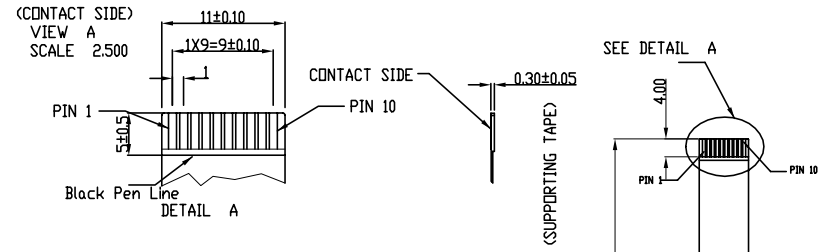
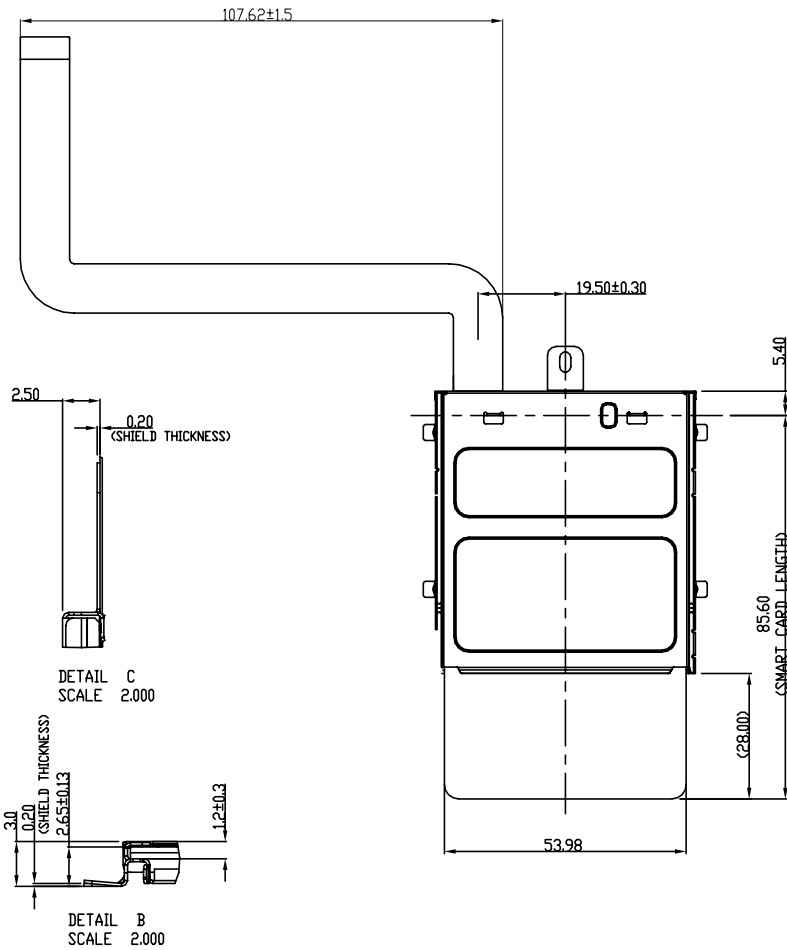
NOTE:
 1. Material:
 METAL SHELL: STAINLESS STEEL, T=0.20mm
 PCB: FR-4, T=0.80mm
 TERMINAL: PHOSPHOR BRONZE
 PLATING SPEC AS BELOW:
 ALL OVER NICKEL UNDERPLATING
 GOLD PLATING ON CONTACT SURFACE.
 MATTE TIN PLATING ON SOLDER TAIL.
 FPC PLATING SPEC AS BELOW:
 CONTACT SURFACE: GOLD FLASH.
 SOLDER TAIL: TIN PLATING.
 2. CARD DETECTION SWITCH NORMALLY OPEN WITHOUT MATING CARD
 3. REFERENCE SPECIFICATION:
 PRODUCT SPEC. GS 12-231
 PACKING SPEC. GS 14-829
 ④ THE AREA IS PROHIBITED TO PASTE THE MYLAR AND LABEL.

mat'l. code	surface	tolerance	projection	product family
	ISO 1302	ISO 406	ISO 1101	95
ltr ecn nldr date	tolerances unless otherwise specified			title
W	angles	0.X±0.5	MM	SMART CARD READER ASSEMBLY
	linear	0.XX±0.30	scale NA	
	0±2'	0.XXX±0.10		
dr	A.JUANG	06/07/02	FCI	dwg no
enr	A.JUANG	06/07/02		sheet 3 of 21
chr	A.JUANG	06/07/02		10010556
appd	JENN.TSAO	06/07/02		A3
sheet index	revision sheet			type Product Customer Drawing

FCIconnect.cdf

Copyright FCI

PRODUCT NO
10010556-012LF

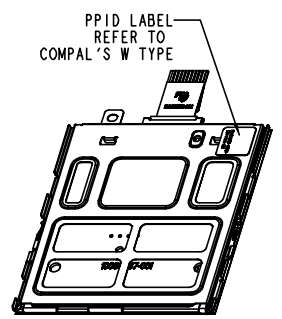
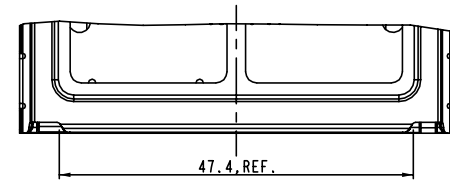
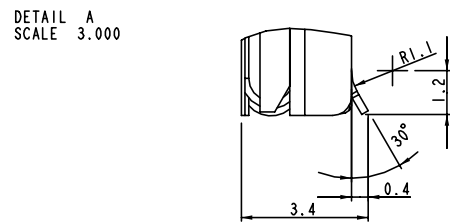
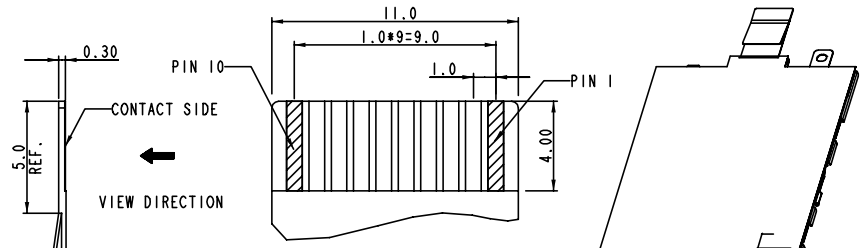
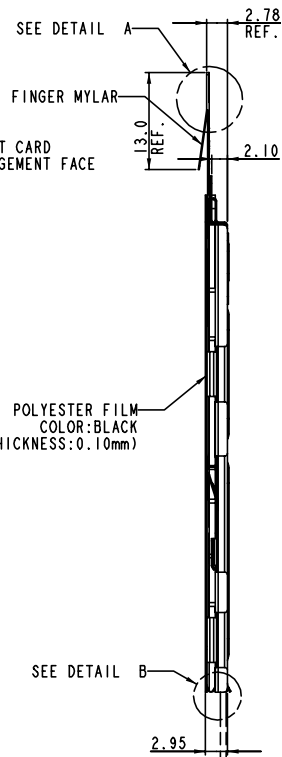
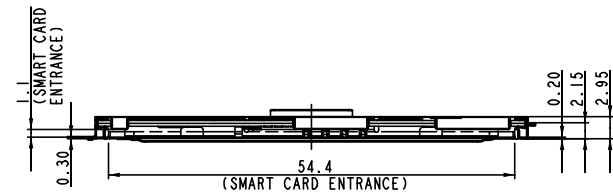
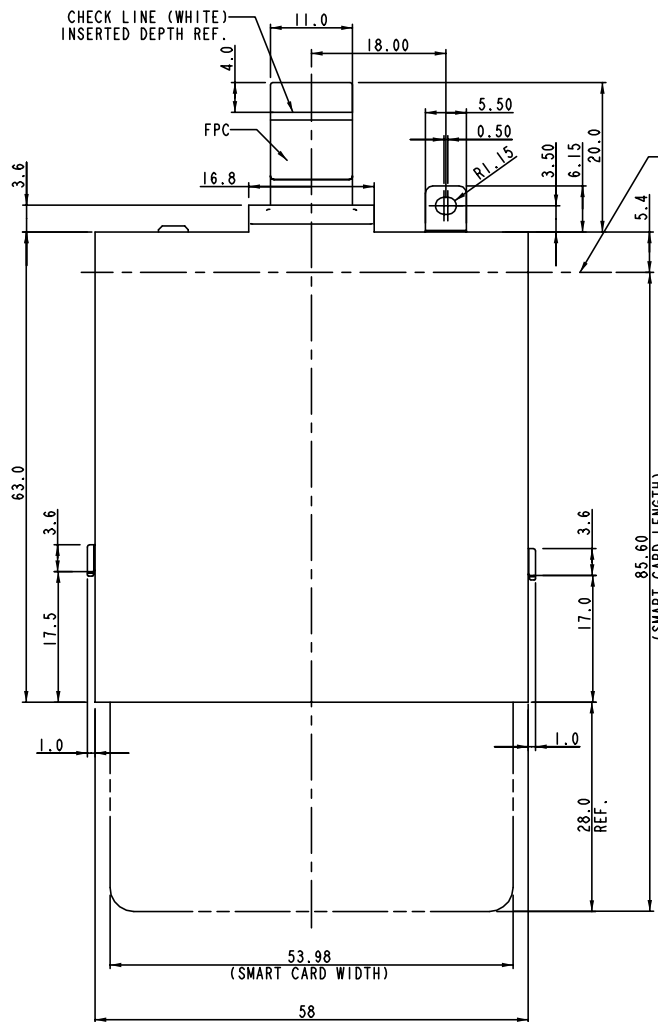


10	RFU	10
9	I/O	9
8	Vpp	8
7	GND	7
6	Sensor 2	6
5	Sensor 1	5
4	Vcc	4
3	Reset	3
2	Clock	2
1	RFU	1
Terminal	ASSIGNMENT	FPC

- NOTES:
 1. Material:
 METAL SHELL: STAINLESS STEEL, T=0.20mm
 PCB: FR-4, T=0.80mm
 TERMINAL: PHOSPHOR BRONZE.
 PLATING SPEC AS BELOW:
 ALL OVER NICKEL UNDERPLATING
 GOLD PLATING ON CONTACT SURFACE.
 MATTE TIN PLATING ON SOLDER TAIL.
 FPC PLATING SPEC AS BELOW:
 CONTACT SURFACE: GOLD FLASH.
 SOLDER TAIL: TIN PLATING.
 2. CARD DETECTION SWITCH NORMALLY OPEN WITHOUT MATING CARD
 3. REFERENCE SPECIFICATION:
 PRODUCT SPEC. GS 12-231
 PACKING SPEC. GS 14-829
 ④ THE AREA IS PROHIBITED TO PASTE THE MYLAR AND LABEL.

mat'l. code	surface	tolerance	projection	product family
	ISO 1302 ✓	ISO 406 ISO 1101		95
ltr ecn nldr date	tolerances unless otherwise specified			title
W	angles	0.X±0.5	MM	SMART CARD READER ASSEMBLY
	linear	0.XX±0.30	scale NA	
	0±2'	0.XXX±0.10		
dr	A.JUANG	06/07/02	FCJ	dwg no
enr	A.JUANG	06/07/02		sheet 4 of 21
chr	A.JUANG	06/07/02		size
app'd	JENN.TSAO	06/07/02		A3
sheet index	revision sheet	type Product Customer Drawing		

PART NUMBER
10010556-013LF



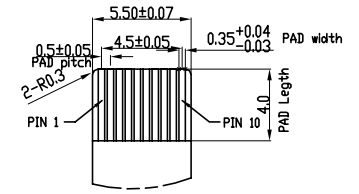
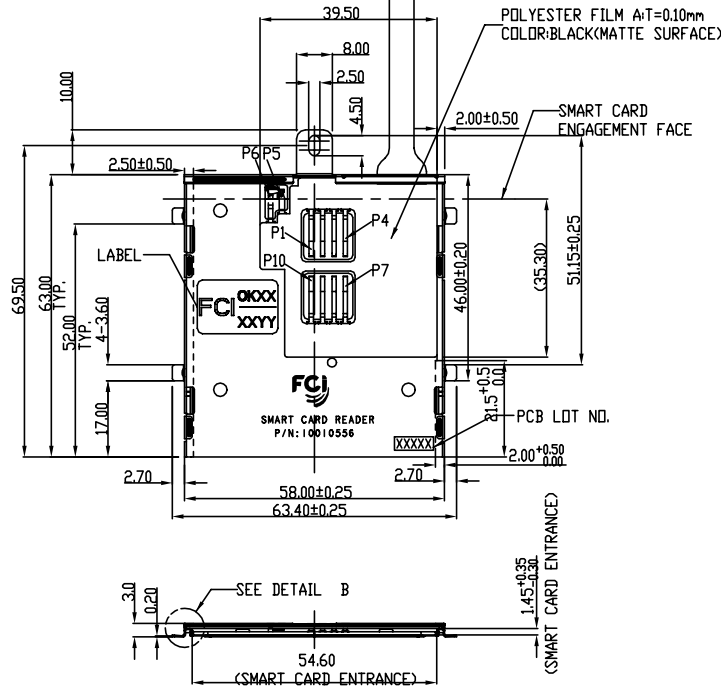
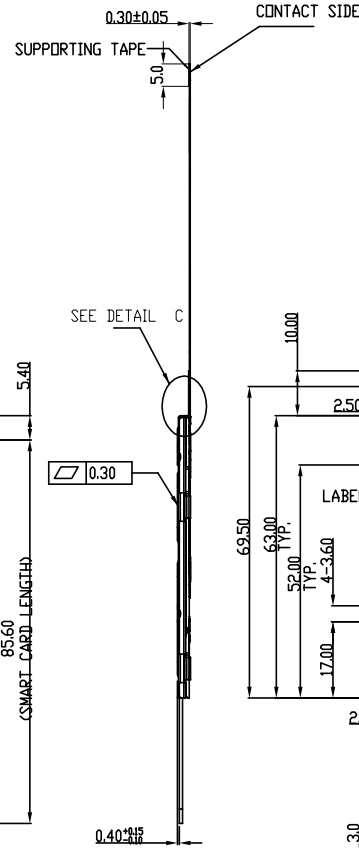
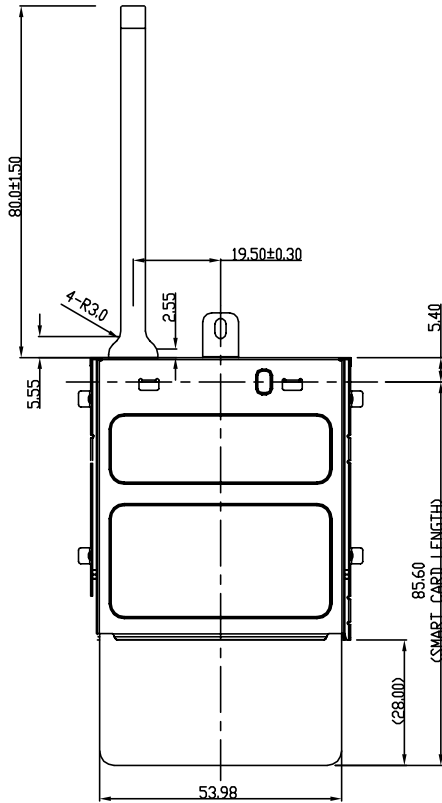
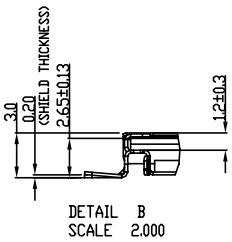
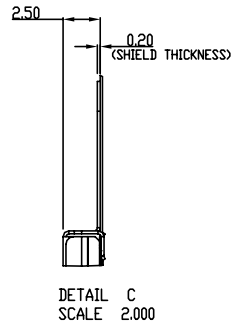
NOTE:

- Material:
 - METAL SHELL: STAINLESS STEEL, T=0.20mm
 - GUIDE BLOCK: THERMOPLASTIC, UL94V-0.
 - PCB: FR-4, T=0.80mm, UL94V-0.
 - FPC: POLYIMIDE, T=0.30mm, UL94V-0.
 - PLATING SPEC AS BELOW:
 - UNDERPLATING: Ni 50 uin Min.
 - CONTACT SIDE PLATING: Au 3 uin Min.
 - SOLDER SIDE PLATING: Pure Tin 100 uin Min.
 - TERMINAL: COPPER ALLOY.
 - PLATING SPEC AS BELOW:
 - UNDERPLATING: Ni 50 uin Min.
 - CONTACT PLATING: Au 30 uin Min.
 - SOLDER TAIL: Pure TIN 75 uin Min.
- CARD DETECTION SWITCH NORMALLY OPEN WITHOUT MATING CARD
- REFERENCE SPECIFICATION:
 - PRODUCT SPEC.: GS-12-231.
 - PACKING SPEC.: GS-14-829.

10	VCC	C 1
9	GND	C 5
8	RESET	C 2
7	VPP	C 6
6	CLOCK	C 3
5	I/O	C 7
4	RFU 4	C 4
3	RFU 8	C 8
2	SENSOR 2	
1	SENSOR 1	
PIN NO.	ASSIGNMENT	DEFINED BY ISO 7816

mat'l. code	surface	tolerance	projection	product family
	ISO 1302 ✓	ISO 406 ISO 1101		95
ltr ecn nldr date	tolerances unless otherwise specified			
W	angles	linear	MM	SMART CARD READER ASSEMBLY
	0±2'	0.X±0.5 0.XX±0.30 0.XXX±0.10	scale NA	
dr	A.JUANG	06/07/02		dwg no sheet 15 of 21 size
enr	A.JUANG	06/07/02		10010556 A3
chr	A.JUANG	06/07/02		type Product Customer Drawing
appd	JENN.TSAO	06/07/02		
sheet index	revision sheet			

PRODUCT NO	FPC
10010556-014LF	10086571-004



DETAIL A

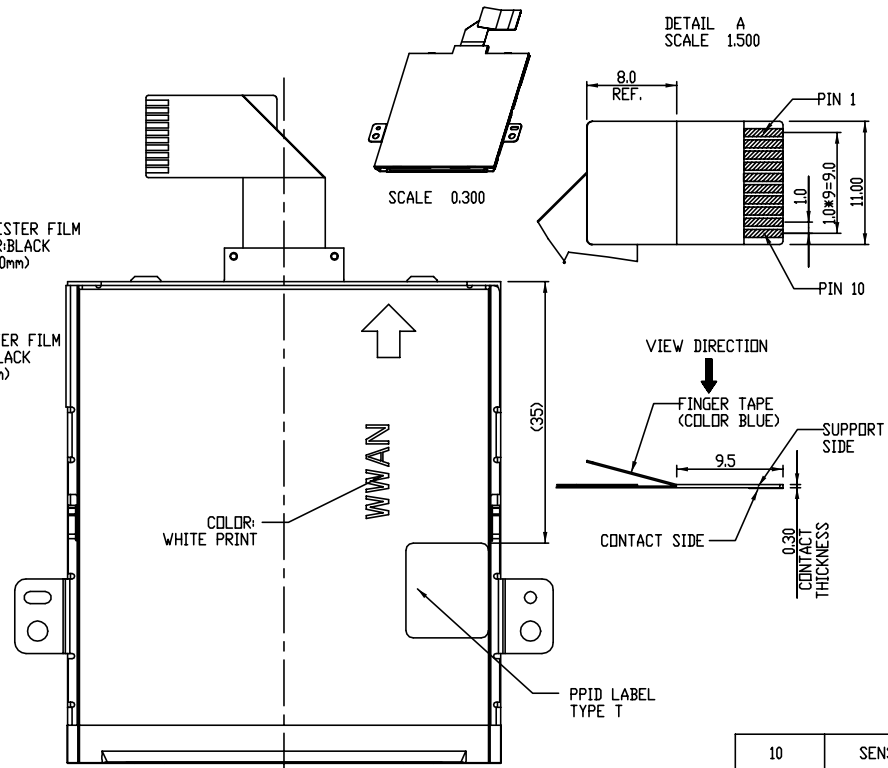
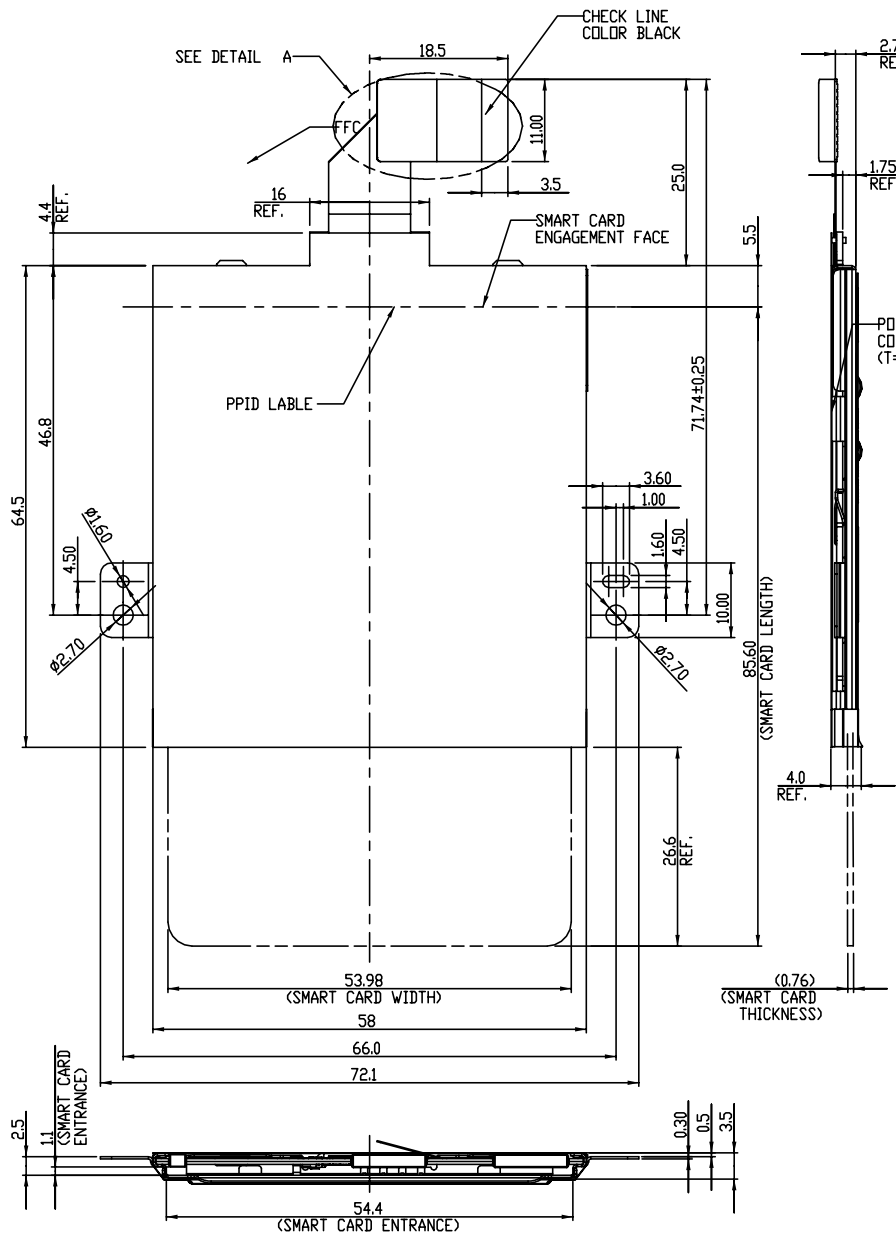
P10	RFU	10
P8	Vpp	9
P9	I/O	8
P7	GND	7
P5	Sensor 1	6
P4	Vcc	5
P3	Reset	4
P6	Sensor 2	3
P2	Clock	2
P1	RFU	1
Terminal	ASSIGNMENT	FPC

NOTES:

- Material:
 - METAL SHELL: STAINLESS STEEL, T=0.20mm
 - PCB: FR-4, T=0.80mm
 - TERMINAL: PHOSPHOR BRONZE.
 - PLATING SPEC AS BELOW:
 - ALL OVER NICKEL UNDERPLATING
 - GOLD PLATING ON CONTACT SURFACE.
 - MATTE TIN PLATING ON SOLDER TAIL.
- FPC PLATING SPEC AS BELOW:
 - CONTACT SURFACE: GOLD FLASH.
 - SOLDER TAIL: TIN PLATING.
- CARD DETECTION SWITCH NORMALLY OPEN WITHOUT MATING CARD
- REFERENCE SPECIFICATION:
 - PRODUCT SPEC. GS 12-231
 - PACKING SPEC. GS 14-829
- THE AREA IS PROHIBITED TO PASTE THE MYLAR AND LABEL.
- ALL PART SAME AS 10010556-011LF, EXCEPT FPC

mat'l. code	surface	tolerance	projection	product family
	ISO 1302 ✓	ISO 406 ISO 1101		95
ltr ecn nldr date	tolerances unless otherwise specified			title
W	angles	0.X±0.5	MM	SMART CARD READER ASSEMBLY
	linear	0.XX±0.30		
	0±2'	0.XXX±0.10	scale NA	
dr	A.JUANG	06/07/02		dwg no
enr	A.JUANG	06/07/02		sheet 6 of 21
chr	A.JUANG	06/07/02		10010556
app	JENN.TSAO	06/07/02		A3
sheet index	revision sheet			type Product Customer Drawing

PART NUMBER
10010556-015LF

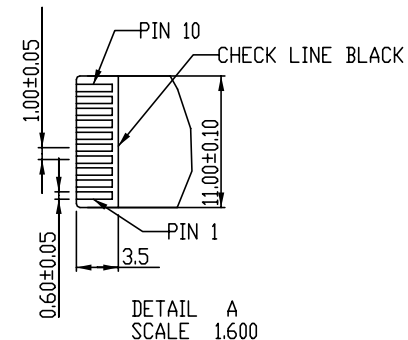
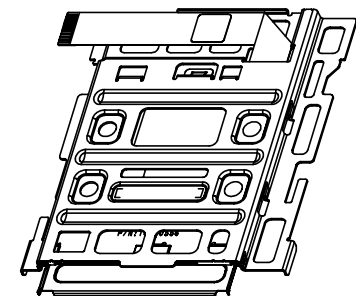
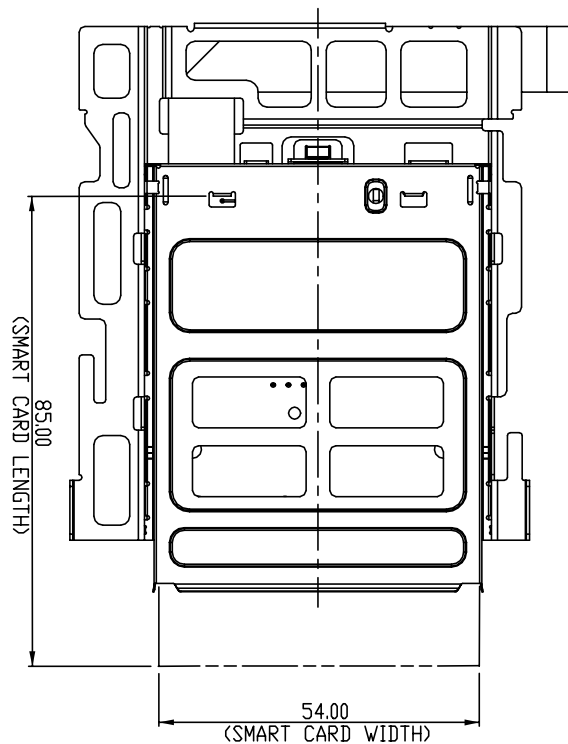
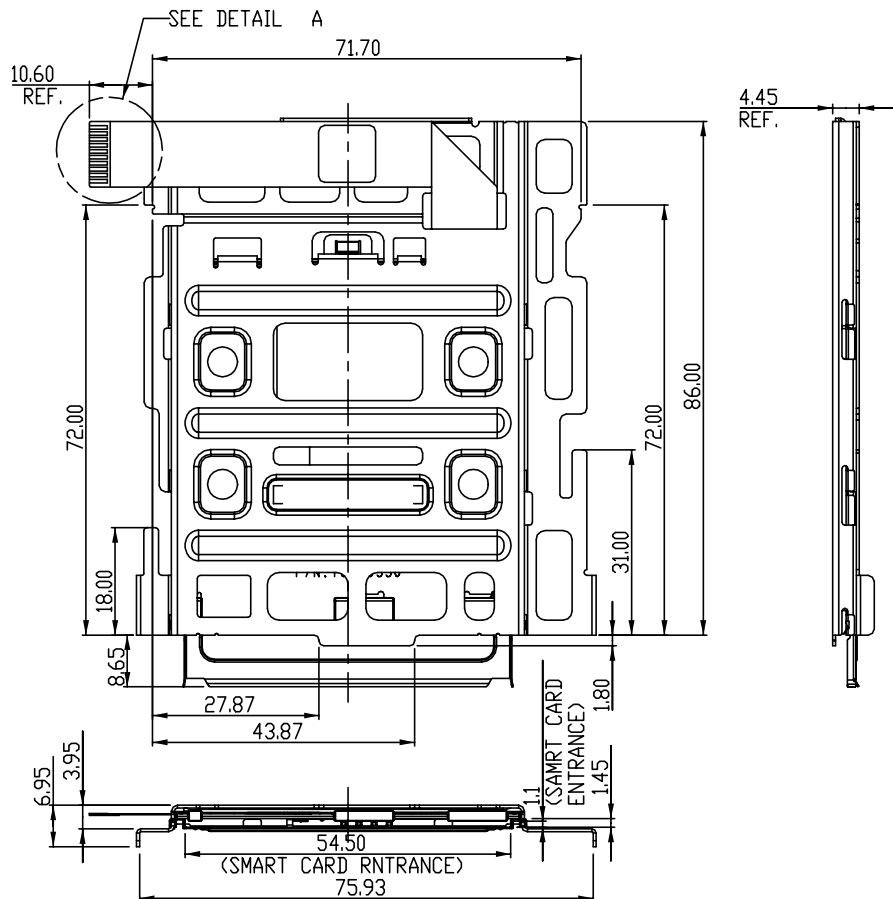


NOTES:
 1. Material:
 METAL SHELL: STAINLESS STEEL, T=0.30mm
 GUIDE BLOCK: THERMOPLASTIC, UL94V-0.
 PCB: FR-4, T=0.80mm, UL94V-0.
 FFC: POLYESTER, T=0.30mm, UL20624, NO PRINTING.
 PLATING SPEC AS BELOW:
 CONTACT SIDE PLATING: Au 3 uin. Min.
 SOLDER SIDE PLATING: Matte Tin 100 uin Min.
 TERMINAL: PHOSPHOR BRONZE.
 PLATING SPEC AS BELOW:
 UNDERPLATING: Ni 50 uin Min.
 CONTACT PLATING: Au 30 uin Min.
 SOLDER TAIL: Matte TIN 75 uin Min.
 2. LEAD FREE AND ROHS COMPLIANT PRODUCT.
 3. CARD DETECTION SWITCH NORMALLY OPEN WITHOUT MATING CARD.
 4. REFERENCE SPECIFICATION:
 PRODUCT SPEC: GS-12-231.
 PACKING SPEC: GS-14-829.

10	SENSOR 2
9	SENSOR 1
8	RFU8
7	I/O
6	VPP
5	GND
4	RFU4
3	CLOCK
2	RESET
1	VCC
PIN NO.	ASSIGNMENT

mat'l. code	surface	tolerance	projection	product family
	ISO 1302 ✓	ISO 406 ISO 1101		95
ltr ecn nldr date	tolerances unless otherwise specified		title	
W	angles	0.X±0.5 0.XX±0.30 0.XXX±0.10	MM	SMART CARD READER ASSEMBLY
	linear		scale NA	
dr	A.JUANG	06/07/02	FCJ	dwg no
enr	A.JUANG	06/07/02		sheet 7 of 21
chr	A.JUANG	06/07/02		10010556
appd	JENN.TSAO	06/07/02		A3
sheet index	revision sheet			type Product Customer Drawing

PRODUCT NO.
10010556-016LF



NOTES:

1. Material:

METAL SHELL: STAINLESS STEEL
 BRACKET: STEEL
 GUIDE BLOCK: THERMOPLASTIC, UL94V-0.
 PCB: FR-4, T=0.80mm, UL94V-0.
 FFC: POLYESTER, UL20624.
 PLATING SPEC AS BELOW:
 CONTACT SIDE PLATING: GOLD.
 SOLDER SIDE PLATING: Pure Tin.
 TERMINAL: COPPER ALLOY.

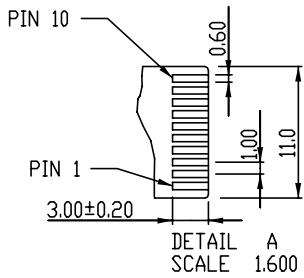
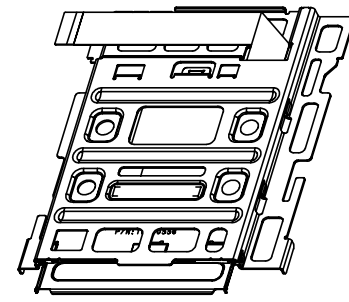
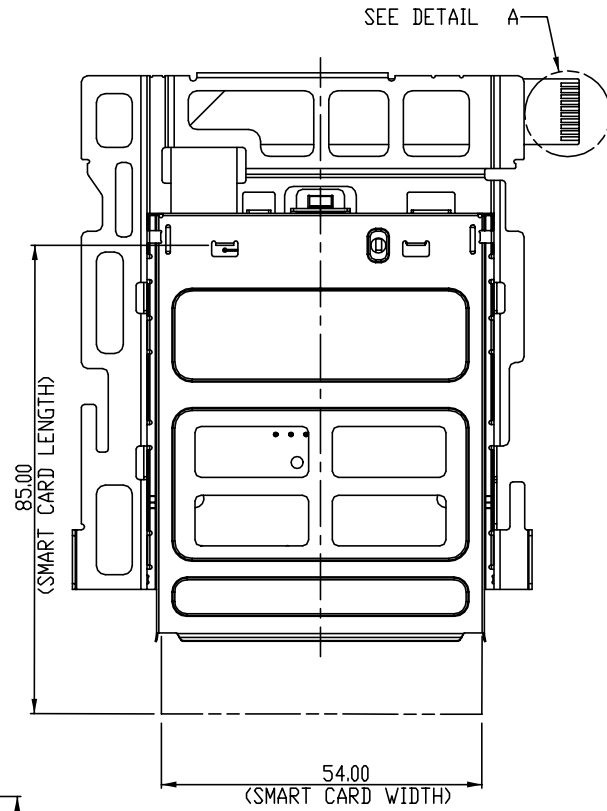
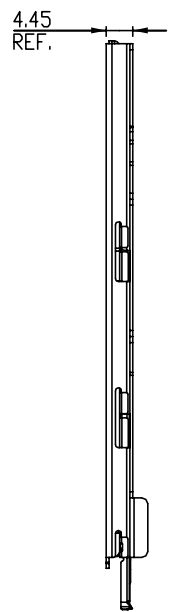
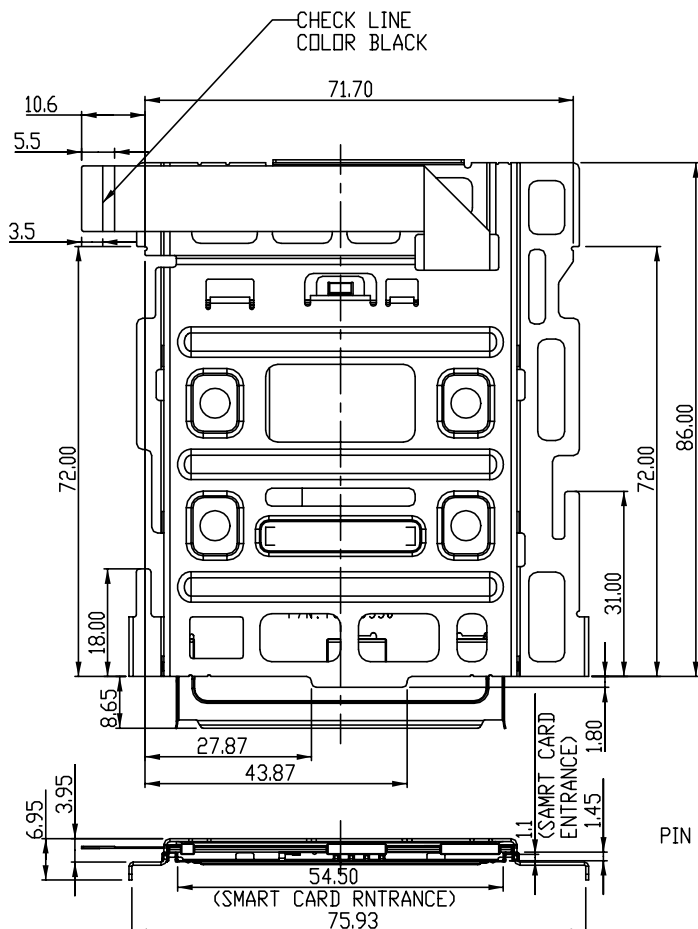
PLATING SPEC AS BELOW:
 UNDERPLATING: NICKEL.
 CONTACT PLATING: GOLD.
 SOLDER TAIL: Pure TIN.

2. CARD DETECTION SWITCH NORMALLY OPEN WITHOUT MATING CARD
 3. REFERENCE SPECIFICATION:
 PRODUCT SPEC: GS-12-231.
 PACKING SPEC: GS-14-829.

10	VCC	C1
9	RESET	C2
8	CLOCK	C3
7	RFU 4	C4
6	GND	C5
5	VPP	C6
4	I/O	C7
3	RFU 8	C8
2	SENSOR 2	
1	SENSOR 1	
PIN NO.	ASSIGNMENT	PIN NO. DEFINED BY ISO-7816

mat'l. code		surface		tolerance		projection		product family	
		ISO 1302		ISO 406		ISO 1101		95	
ltr ecn nldr date		tolerances unless otherwise specified		linear		MM		SMART CARD READER ASSEMBLY	
W		angles		0.X±0.5		scale NA		dwg no sheet 18 of 21 size	
		0±2'		0.XX±0.30				10010556 A3	
		dr		A.JUANG		06/07/02		type Product Customer Drawing	
		enr		A.JUANG		06/07/02			
		chr		A.JUANG		06/07/02			
		appd		JENN.TSAO		06/07/02			
sheet index		revision sheet							

PRODUCT NO.
10010556-017LF

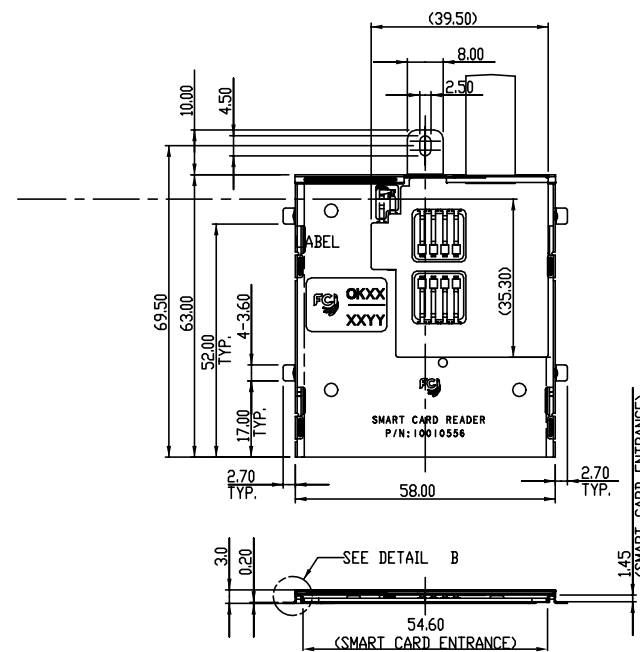
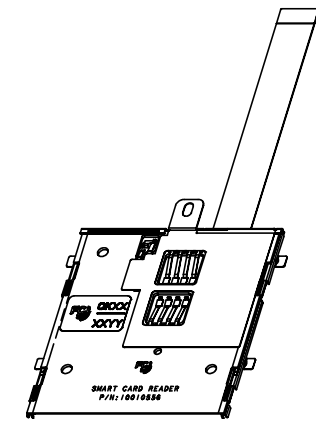
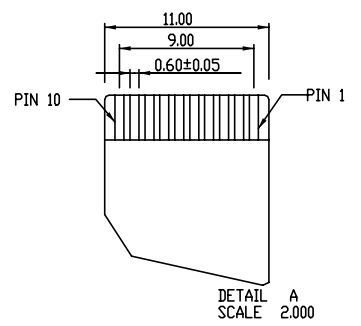
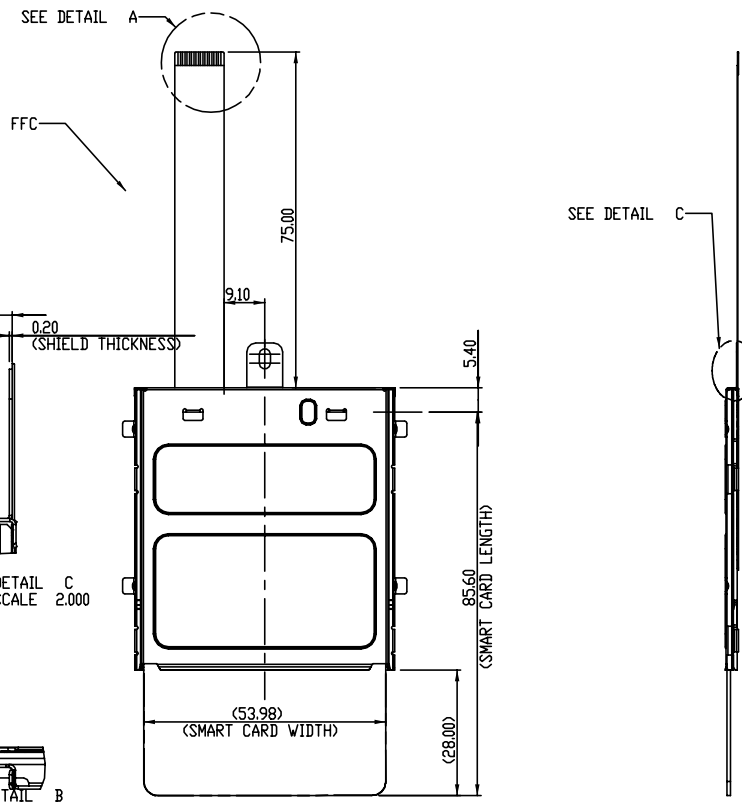


NOTES:
 1. Material:
 METAL SHELL: STAINLESS STEEL
 BRACKET: STEEL
 GUIDE BLOCK: THERMOPLASTIC, UL94V-0
 PCB: FR-4, T=0.80mm, UL94V-0
 FFC: POLYESTER, UL20624
 PLATING SPEC AS BELOW:
 CONTACT SIDE PLATING: GOLD FLASH 0.076um MIN.
 SOLDER SIDE PLATING: MATTE Tin.
 TERMINAL: COPPER ALLOY.
 PLATING SPEC AS BELOW:
 UNDERPLATING: NICKEL.
 CONTACT PLATING: GOLD 0.76um MIN.
 SOLDER TAIL: MATTE TIN.
 2. CARD DETECTION SWITCH NORMALLY OPEN WITHOUT MATING CARD
 3. REFERENCE SPECIFICATION:
 PRODUCT SPEC.: GS-12-231.
 PACKING SPEC.: GS-14-829.

10	VCC	C1
9	RESET	C2
8	CLOCK	C3
7	RFU 4	C4
6	GND	C5
5	VPP	C6
4	I/O	C7
3	RFU 8	C8
2	SENSOR 2	
1	SENSOR 1	
PIN NO.	ASSIGNMENT	PIN NO. DEFINED BY ISO-7816

mat'l. code	surface	tolerance	projection	product family
	ISO 1302 ✓	ISO 406 ISO 1101		95
ltr ecn nldr date	tolerances unless otherwise specified			title
W	angles	linear	MM	SMART CARD READER ASSEMBLY
	0±2'	0.X±0.5 0.XX±0.30 0.XXX±0.10	scale NA	
dr	A.JUANG	06/07/02	FCJ	dwg no
enr	A.JUANG	06/07/02		sheet 19 of 21
chr	A.JUANG	06/07/02		size
app	JENN.TSAO	06/07/02		A3
sheet index	revision sheet	type Product Customer Drawing		

PRODUCT NO
10010556-018LF

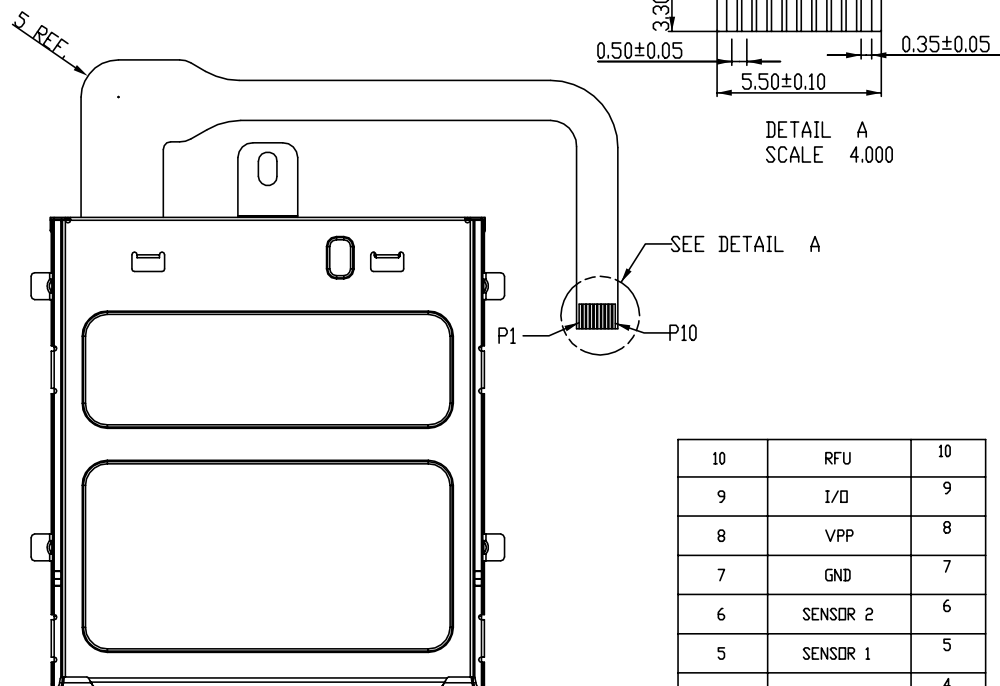
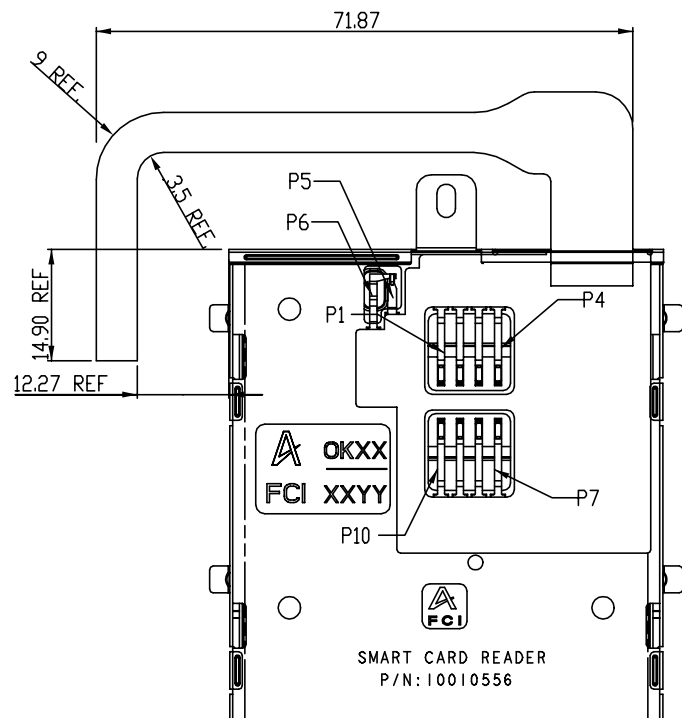


10	RFU
9	I/O
8	Vpp
7	GND
6	Sensor 2
5	Sensor 1
4	Vcc
3	Reset
2	Clock
1	RFU
PIN NO.	ASSIGNMENT

NOTE:
 1. Material:
 METAL SHELL: STAINLESS STEEL, T=0.20mm
 PCB: FR-4, T=0.80mm
 TERMINAL: PHOSPHOR BRONZE
 PLATING SPEC AS BELOW:
 ALL OVER NICKEL UNDERPLATING
 GOLD PLATING ON CONTACT SURFACE.
 MATTE TIN PLATING ON SOLDER TAIL.
 FLEXIBLE FLAT CABLE: TOTAL LENGTH=124±2mm
 PLATING SPEC AS BELOW:
 CONTACT SURFACE: TIN PLATING.
 SOLDER TAIL: TIN PLATING.
 2. CARD DETECTION SWITCH NORMALLY OPEN WITHOUT MATING CARD
 3. REFERENCE SPECIFICATION:
 PRODUCT SPEC. GS 12-231
 PACKING SPEC. GS 14-829

mat'l. code	surface	tolerance	projection	product family
	ISO 1302	ISO 406	ISO 1101	95
ltr ecn nldr date	tolerances unless otherwise specified			title
W	angles	0.X±0.5	MM	SMART CARD READER ASSEMBLY
	linear	0.XX±0.30	MM	
	0±2'	0.XXX±0.10	scale NA	
dr	A.JUANG	06/07/02	FCJ	dwg no
enr	A.JUANG	06/07/02		sheet 20 of 21
chr	A.JUANG	06/07/02		size
appd	JENN.TSAO	06/07/02		A3
				type Product Customer Drawing
sheet index	revision sheet			

PRODUCT NO
10010556-019LF



10	RFU	10
9	I/O	9
8	VPP	8
7	GND	7
6	SENSOR 2	6
5	SENSOR 1	5
4	VCC	4
3	RESET	3
2	CLOCK	2
1	RFU	1
PIN NO.	ASSIGNMENT	FPC

- NOTES:
 1. MATERIAL:
 SHELL: STAINLESS STEEL T=0.20MM
 PCB FR-4 T=0.80MM
 TERMINAL PHOSPHOR BRONZE
 FPC PLATING GOLD FLASH.
 2. REFERENCE SPECIFICATION:
 PRODUCT SPEC. GS 12-231
 PACKING SPEC. GS 14-829

mat'l. code		surface		tolerance		projection		product family	
		ISO 1302 ✓		ISO 406 ISO 1101				95	
ltr ecn nldr date		tolerances unless otherwise specified						title	
W		angles		0.X±0.5		MM		SMART CARD READER ASSEMBLY	
		0±2'		0.XX±0.30		scale NA		dwg no	
		dr		A.JUANG 06/07/02				sheet 21 of 21 size	
		enr		A.JUANG 06/07/02				10010556 A3	
		chr		A.JUANG 06/07/02				type Product Customer Drawing	
		appd		JENN.TSAO 06/07/02					
sheet index		revision sheet							