



Chipsmall Limited consists of a professional team with an average of over 10 year of expertise in the distribution of electronic components. Based in Hongkong, we have already established firm and mutual-benefit business relationships with customers from,Europe,America and south Asia,supplying obsolete and hard-to-find components to meet their specific needs.

With the principle of "Quality Parts,Customers Priority,Honest Operation,and Considerate Service",our business mainly focus on the distribution of electronic components. Line cards we deal with include Microchip,ALPS,ROHM,Xilinx,Pulse,ON,Everlight and Freescale. Main products comprise IC,Modules,Potentiometer,IC Socket,Relay,Connector.Our parts cover such applications as commercial,industrial, and automotives areas.

We are looking forward to setting up business relationship with you and hope to provide you with the best service and solution. Let us make a better world for our industry!



Contact us

Tel: +86-755-8981 8866 Fax: +86-755-8427 6832

Email & Skype: info@chipsmall.com Web: www.chipsmall.com

Address: A1208, Overseas Decoration Building, #122 Zhenhua RD., Futian, Shenzhen, China

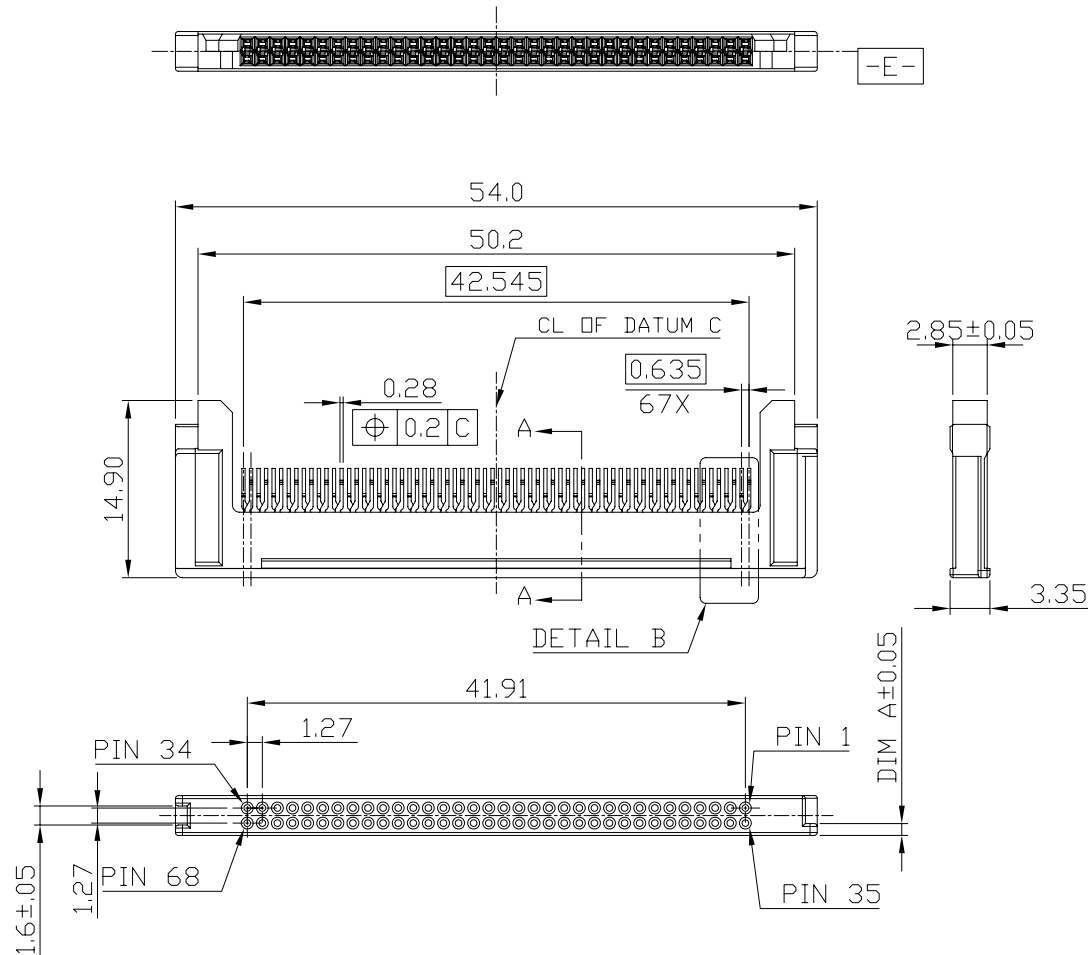




All rights strictly reserved. Reproduction or issue to third parties in any form whatever is not permitted without written authority from the proprietor. Property of FCI. Copyright FCI.

Tous droits strictement reserves. Reproduction ou communication a des tiers interdite sous quelque forme que ce soit sans autorisation ecrite du proprietaire. Propriete de c FCI. Droits de reproduction FCI.

| PRODUCT NO. | DIM A | VOLTAGE KEY | BOARD OFFSET DIM C | PACKING |
|--------------------------------------|-------|-------------|--------------------|-----------------------------------|
| 10014744 | | | | |
| -002 (-N02) | 1.0 | 5.0V | 0.3 | SEE NOTE 5 FOR DETAIL DESCRIPTION |
| -003 (-N03) | 1.0 | 5.0V | 0 | |
| -004 (-N04) | 1.0 | 5.0V | -0.3 | |
| -006 (-N06) | 2.1 | 3.3V | 0.3 | |
| -007 (-N07) | 2.1 | 3.3V | 0 | |
| -008 (-N08) | 2.1 | 3.3V | -0.3 | |
| -011 (N11) | 1.0 | 5.0V | 0.6 | |
| -012 (-N12) | 2.1 | 3.3V | 0.6 | |
| -013 (-N13) | 1.0 | 5.0V | -0.6 | |
| -014 (-N14) | 2.1 | 3.3V | -0.6 | |
| -015 (-N15) | 1.0 | 5.0V | -0.8 | |
| -021 (-N21) | 1.0 | 5.0V | 0 | |
| SEE NOTE 6 FOR -NXX DETAIL | | | | |
| SEE NOTE 7 FOR LEAD FREE DETAIL | | | | |
| (NOTE: -021 & -N21 IS REVERSED TYPE) | | | | |

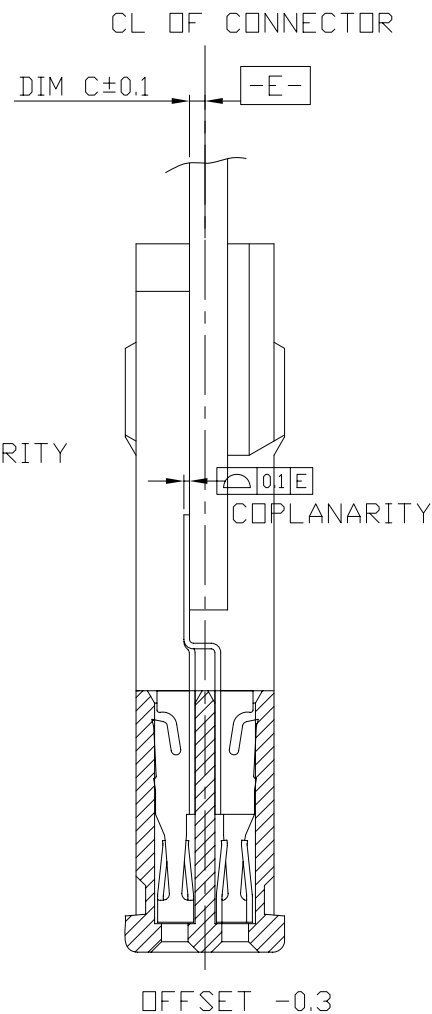
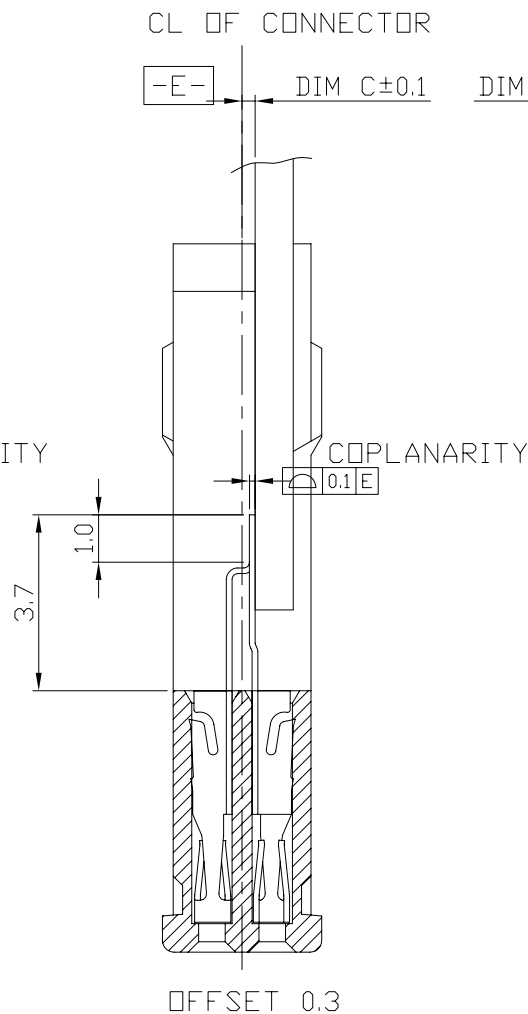
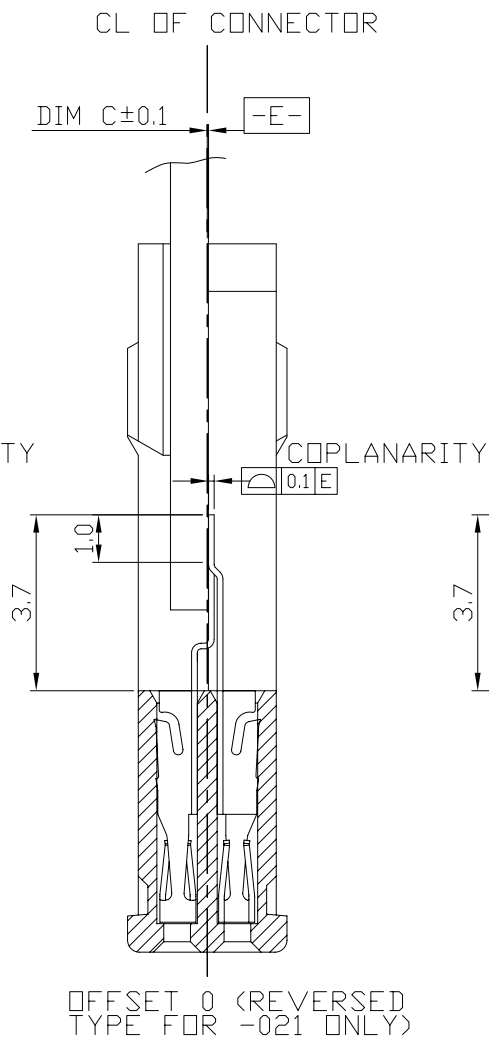
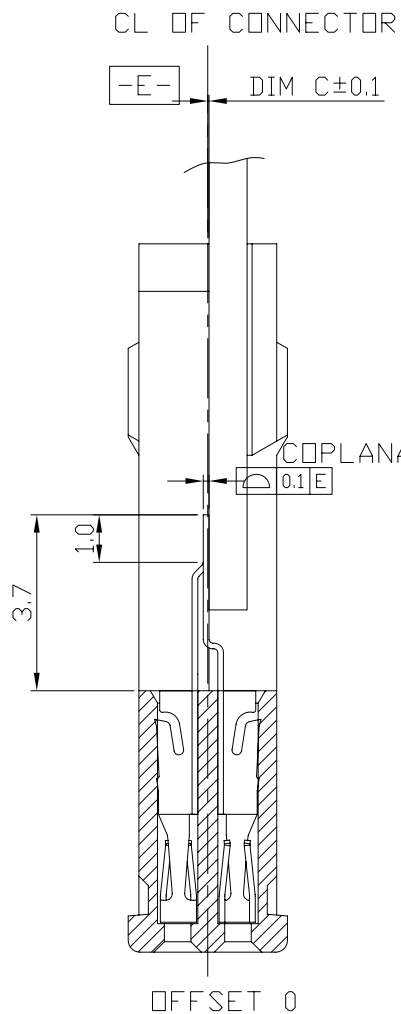



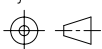
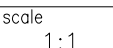
| mat'l. code | | | | tolerances unless otherwise specified | | | | CUSTOMER COPY | FCI www.fciconnect.com | | | |
|-------------|----------------|-----|----------|---------------------------------------|------------|--|--|----------------------------------|---|--|--|--|
| ltr | ecn no | dr | date | | | | | projection MM scale 1:1 | title 68PIN PCMCIA RECEPTACLE ASS'Y product family PCMCIA size 10014744 code - sheet 1 of 4 | | | |
| H | 0G08-0116 | NZ | 05/27/08 | linear | .X ±.3 | | | | | | | |
| | | | | | .XX ±.13 | | | | | | | |
| C | T03-0099 | TAI | 03/21/03 | angles | .XXX ±.050 | | | | | | | |
| D | T03-0186 | TAI | 05/21/03 | dr | 0° ±2' | | | | | | | |
| E | T03-0332 | TAI | 07/22/04 | enrg | | | | | | | | |
| F | T03-0358 | TAI | 08/23/04 | chr | | | | | | | | |
| G | 0G06-0154 | CS | 04/06/06 | appd | | | | | | | | |
| sheet index | revision sheet | H | H | H | H | | | | | | | |
| | | 1 | 2 | 3 | 4 | | | | | | | |

All rights strictly reserved. Reproduction or issue to third parties in any form whatever is not permitted without written authority from the proprietor. Property of FCI. Copyright FCI.

Tous droits strictement réservés. Reproduction ou communication à des tiers interdite sous quelque forme que ce soit sans autorisation écrite du propriétaire. Propriété de c FCI. Droits de reproduction FCI.

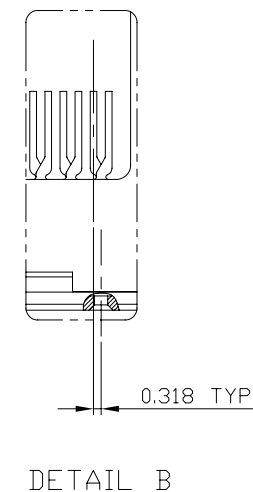
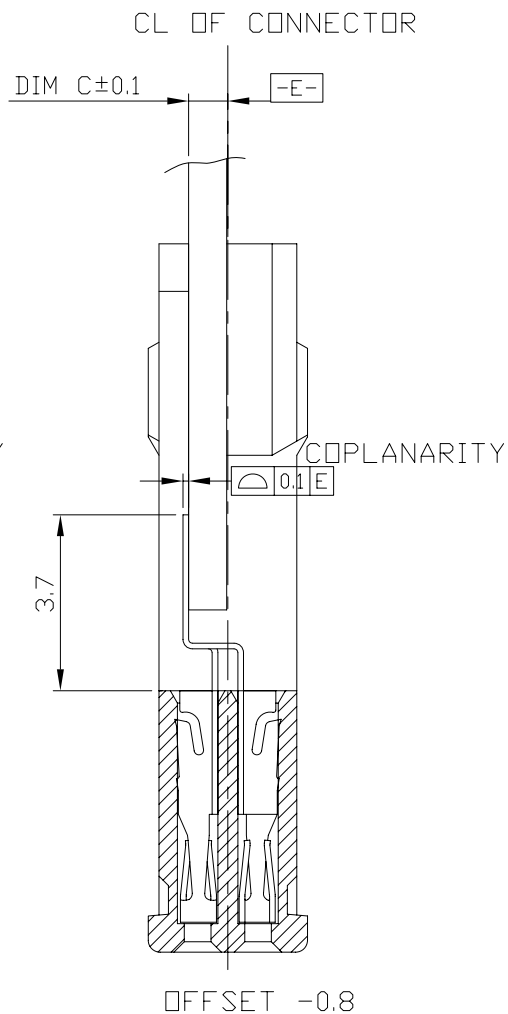
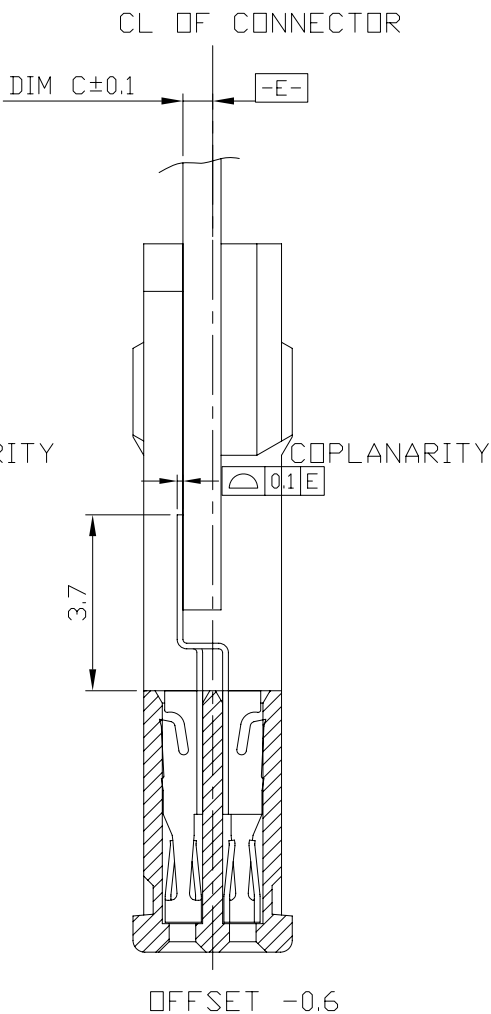
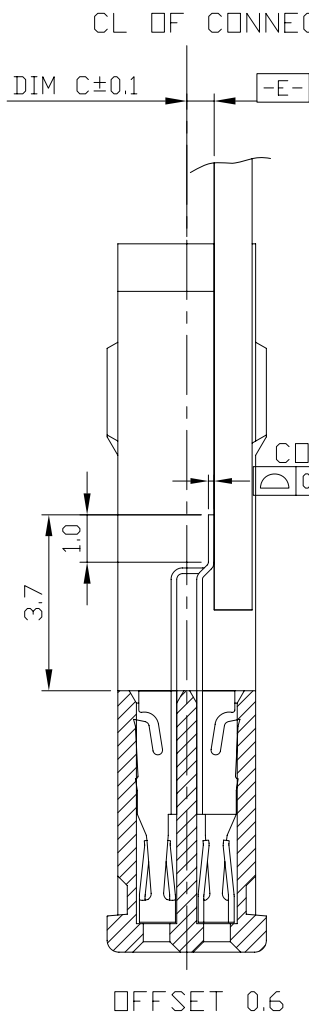
A
FCI



| | | | | | | | | | | | |
|-------------|----------------|----|------|---------------------------------------|------------|----------|--|--|---|--|-------|
| mat'l. code | | | | tolerances unless otherwise specified | | | CUSTOMER COPY | |  www.fciconnect.com | | |
| ltr | ecn no | dr | date | linear | .X ±.3 | | projection | | | | |
| H | | | | | .XX ±.13 | |  MM | | title | | |
| | | | | angles | .XXX ±.050 | | | | 68PIN PCMCIA RECEPTACLE ASS'Y | | |
| | | | | dr | KENNY TAI | 12/17/02 |  1:1 | | product family PCMCIA | | code |
| | | | | engr | KENNY TAI | 12/17/02 | | | size | | - |
| | | | | chr | KENNY TAI | 12/17/02 | A3 | | 10014744 | | sheet |
| | | | | appd | PAUL WANG | 12/17/02 | | | | | 2 of |
| sheet index | revision sheet | | | | | | | | | | |

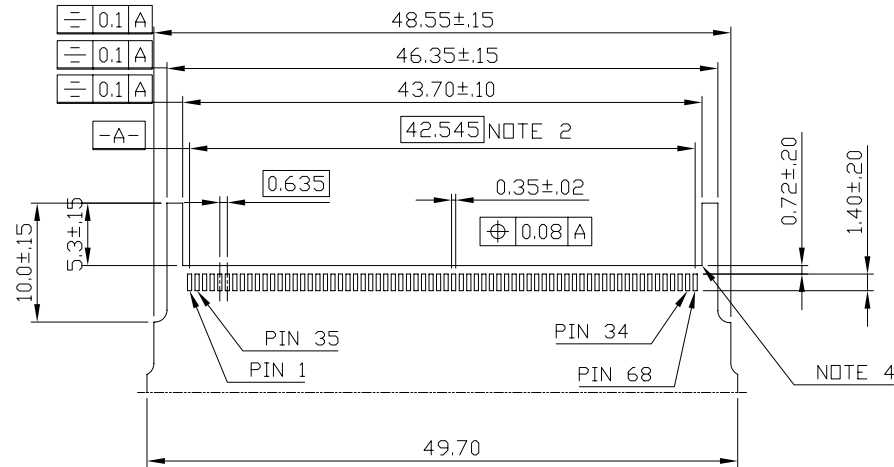
All rights strictly reserved. Reproduction or issue to third parties in any form whatever is not permitted without written authority from the proprietor. Property of FCI. Copyright FCI.

Tous droits strictement réservés. Reproduction ou communication à des tiers interdite sous quelque forme que ce soit sans autorisation écrite du propriétaire. Propriété de c FCI. Droits de reproduction FCI.



| | | | | | | | | | | |
|-------------|----------------|----|------|---------------------------------------|------------|----------|---------------|-------------------------------|------------------------|------------|
| mat'l. code | | | | tolerances unless otherwise specified | | | CUSTOMER COPY | | www.fciconnect.com | |
| ltr | ecn no | dr | date | linear | .X ±.3 | | projection | title | | |
| H | | | | | .XX ±.13 | | | 68PIN PCMCIA RECEPTACLE ASS'Y | | |
| | | | | | .XXX ±.050 | | | product family PCMCIA code - | | |
| | | | | angles | 0° ±2' | | MM | size | | sheet 3 of |
| | | | | dr | KENNY TAI | 12/17/02 | | 10014744 | | |
| | | | | enrg | KENNY TAI | 12/17/02 | A3 | | | |
| | | | | chr | KENNY TAI | 12/17/02 | scale 1:1 | | | |
| | | | | appd | PAUL WANG | 12/17/02 | | | | |
| sheet index | revision sheet | | | | | | | | | |

cage code 22526



RECOMMENDED P.C.B. LAYOUT

NOTE:

- MATERIAL:
CONTACT: PHBR 0.12t
HOUSING: LCP UL94V-0 (BLACK COLOR: -XXX; NATURAL COLOR: -NXX)
- FINISH:
CONTACT: ALL OVER--- Ni UNDER 0.5 MICRON THK.
CONTACT AREA--- Au or GXT 0.38 MICRON THK.
- SOLDER TAIL---TIN LEAD 2.5 MICRON THK.
- MAXIMUM PCB BOW ON THIS DIMENSION IS 0.1mm.
- PACKING SPEC. REFER TO GS-14-723.
- ELIMINATE THE CORNER TO PREVENT INTERFERENCE WITH SOLDER TAIL.
- XXX (-NXX) USE STD. PACKAGE, 1872 PCS / CARTON;
-XXXT (-NXXT) USE TAPE AND REEL, 750 PCS / REEL;
-XXXX (-NXXX) USE STD. PACKAGE, 200 PCS / CARTON;
-XXXXA (-NXXXA) USE TAPE AND REEL, 600 PCS / REEL.
- NXX USE NATURAL COLOR HOUSING. EX. -N02 IS THE SAME WITH -002 EXCEPT NATURAL COLOR.
- XXXXLF IS LEAD FREE PLATING. SOLDER TAIL IS PLATED TIN 2.5 MICRON.
- PRODUCT SPEC. REFER TO GS-12-228.

| | | | | | | | | | | | |
|-------------|----------------|----|------|---------------------------------------|------------|----------|--------|---------------|-------------------------------|------------------------|------|
| mat'l. code | | | | tolerances unless otherwise specified | | | | CUSTOMER COPY | | www.fciconnect.com | |
| ltr | ecn no | dr | date | linear | .X ±.3 | | | projection | title | | |
| H | | | | | .XX ±.13 | | | | 68PIN PCMCIA RECEPTACLE ASS'Y | | |
| | | | | angles | .XXX ±.050 | | | MM | product family | | code |
| | | | | dr | KENNY TAI | 12/17/02 | PCMCIA | | - | | |
| | | | | enrg | KENNY TAI | 12/17/02 | scale | size | | sheet | |
| | | | | chr | KENNY TAI | 12/17/02 | | 10014744 | | 4 of | |
| | | | | appd | PAUL WANG | 12/17/02 | 1:1 | | A3 | | |
| sheet index | revision sheet | | | | | | | | | | |

cage code 22526