



Chipsmall Limited consists of a professional team with an average of over 10 year of expertise in the distribution of electronic components. Based in Hongkong, we have already established firm and mutual-benefit business relationships with customers from,Europe,America and south Asia,supplying obsolete and hard-to-find components to meet their specific needs.

With the principle of “Quality Parts,Customers Priority,Honest Operation,and Considerate Service”,our business mainly focus on the distribution of electronic components. Line cards we deal with include Microchip,ALPS,ROHM,Xilinx,Pulse,ON,Everlight and Freescale. Main products comprise IC,Modules,Potentiometer,IC Socket,Relay,Connector.Our parts cover such applications as commercial,industrial, and automotives areas.

We are looking forward to setting up business relationship with you and hope to provide you with the best service and solution. Let us make a better world for our industry!



Contact us

Tel: +86-755-8981 8866 Fax: +86-755-8427 6832

Email & Skype: info@chipsmall.com Web: www.chipsmall.com

Address: A1208, Overseas Decoration Building, #122 Zhenhua RD., Futian, Shenzhen, China



BASIC PART NUMBER:

10017657-20XXX—X L F

RoHS COMPLIANT SPECIFICATION (SEE NOTE 4)

OPTION

(BLANK : NO CUSTOMIZATION)

(: CUSTOMIZED REQUEST)

CARDBUS: 0 — NO
1 — YES

INSULATOR: 0 — NO
1 — FCI LONG
2 — FCI SHORT
3 — CUSTOMIZED


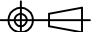
LABEL RECESS: 0 — NO
1 — YES(LONG, 66x42mm)
2 — YES(SHORT, 63x42mm)

OPEN END

CARD TYPE: II

NOTES:

1. CARDSHIELD: STAINLESS STEEL, THICKNESS 0.2MM, SURFACE FINISH: MATTE.
2. FRAME BAR: PPO OR PA46, COLOR BLACK, UL94V-0.
3. INSULATOR: POLYESTER FILM WITH ADHESIVE, 3M 1350 OR EQUIVALENT.
4. 10017657-20XXX-XX IS SIMILAR TO 10017657-20XXX-XLF
 THE SUFFIX " LF " IS ADDED FOR LEAD FREE IDENTIFICATION,
 THIS PRODUCT MEETS EUROPEAN UNION DIRECTIVES AND OTHER
 COUNTRY REGULATIONS AS PER GS-22-008.
5. PACKING SPEC. PER GS-14-775.

mat'l code				tolerance unless otherwise specified				CUSTOMER COPY		 www.fciconnect.com	
rev.	ecn no.	dr	date	linear				projection	title		
C	T03-0111	WL	04/03/03						ROCARD SHIELD		
D	T03-0290	WL	07/15/03	angles							
E	T03-0314	WL	08/05/03	dr	WENDY CHEN	10/21/02	unit	product family		PCMCIA	code
F	T06-0056	WL	04/03/06	engr	DAVID TENG	10/21/02	mm/inch	size		dwg no.	sheet
G	T06-0093	WL	05/10/06	chr	TONY CHIEN	10/21/02	scale	A3		10017657	1 OF 10
H	T06-0134	WL	07/12/06	appr	JENN TSAO	10/21/02					
sheet	revision	H	F	F	F	F	F	F	H		
index	sheet	1	2	3	4	5	6	7	8	9	10

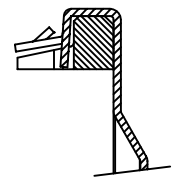
Tous droits strictement reserves. Reproduction ou communication a des tiers int
 sous quelque forme que ce soit sans autorisation écrite du propriétaire.
 Property of c BERG ELECTRONICS
 Copyright BERG ELECTRONICS by

All rights strictly reserved. Reproduction or issue to third parties in any for
 whatever is not permitted without written authority from the proprietor.
 Property of c BERG ELECTRONICS
 Copyright BERG ELECTRONICS by

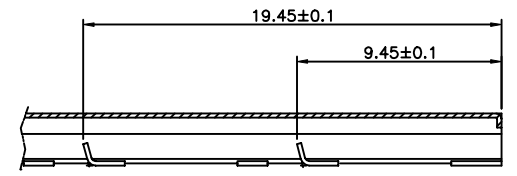
Tous droits strictement réservés. Reproduction ou communication a des tiers int sous quelque forme que ce soit sans autorisation écrite du propriétaire. Property of c BERG ELECTRONICS. Copyright BERG ELECTRONICS by

All rights strictly reserved. Reproduction or issue to third parties in any for whatever is not permitted without written authority from the proprietor. Property of c BERG ELECTRONICS. Copyright BERG ELECTRONICS by

PRODUCT NUMBER	DIM A	DIM B	DIM C	DIM D	DIM E
10017657-20110 OR 10017657-20110LF	1.4±1.0	75.6 REF	27.3 REF	4.0	66
10017657-20120 OR 10017657-20120LF	9.7±1.0	67.3 REF	19.0 REF	4.0	66
10017657-20210 OR 10017657-20210LF	1.4±1.0	75.6 REF	27.3 REF	7.0	63
10017657-20220 OR 10017657-20220LF	9.7±1.0	67.3 REF	19.0 REF	7.0	63



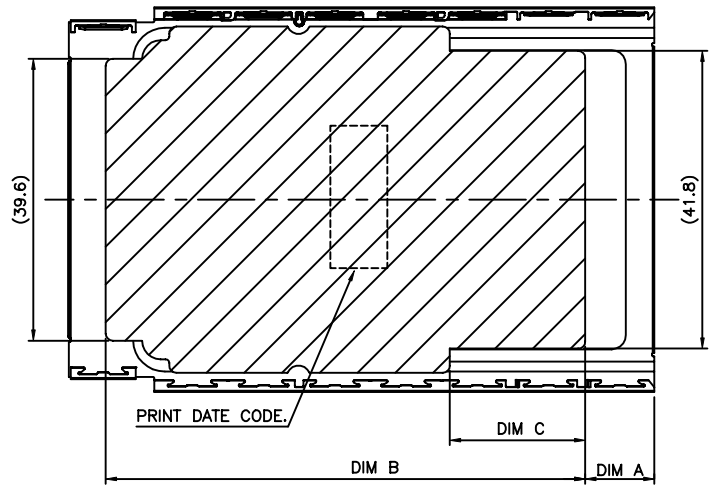
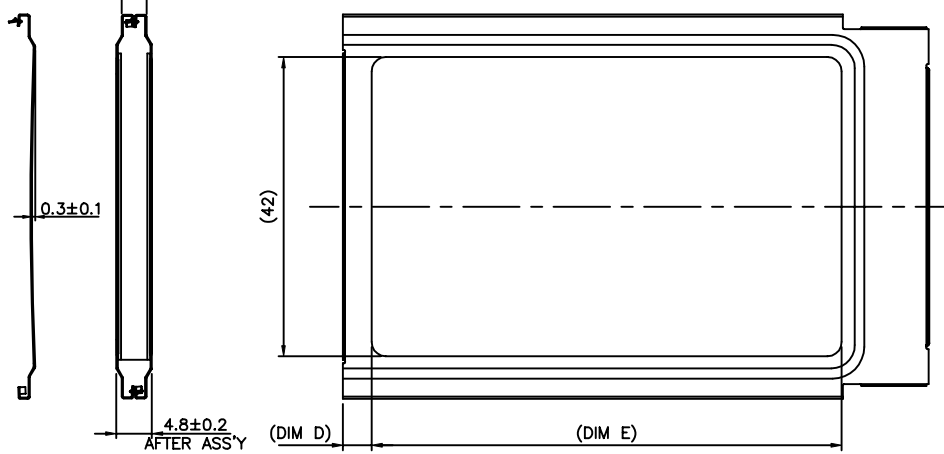
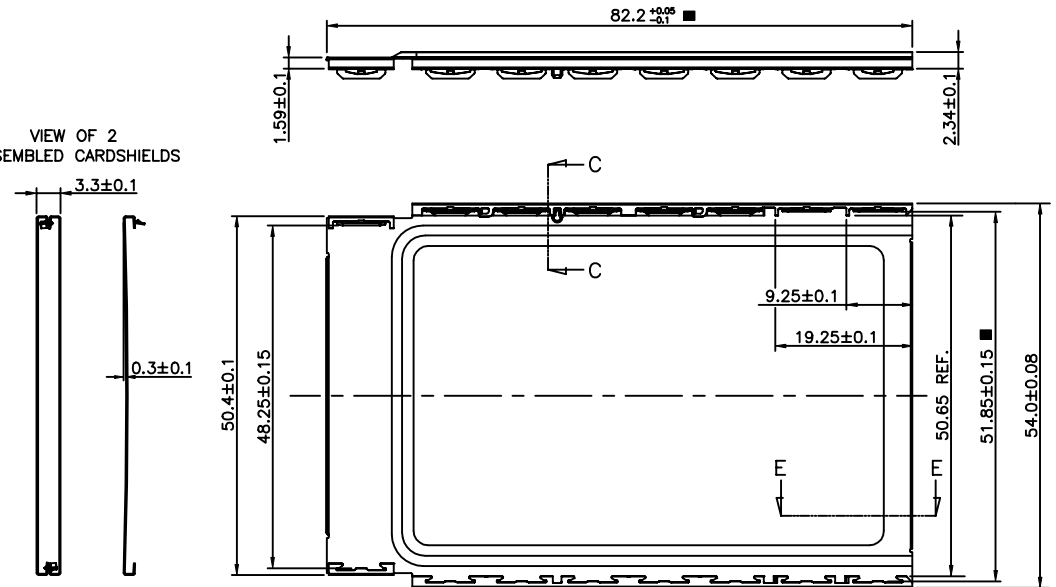
SEC. C-C
(SCALE 5:1)



SEC. E-E
(SCALE 3:1)

VIEW OF 2
ASSEMBLED CARDSHIELDS

VIEW OF 2
ASSEMBLED CARDSHIELDS



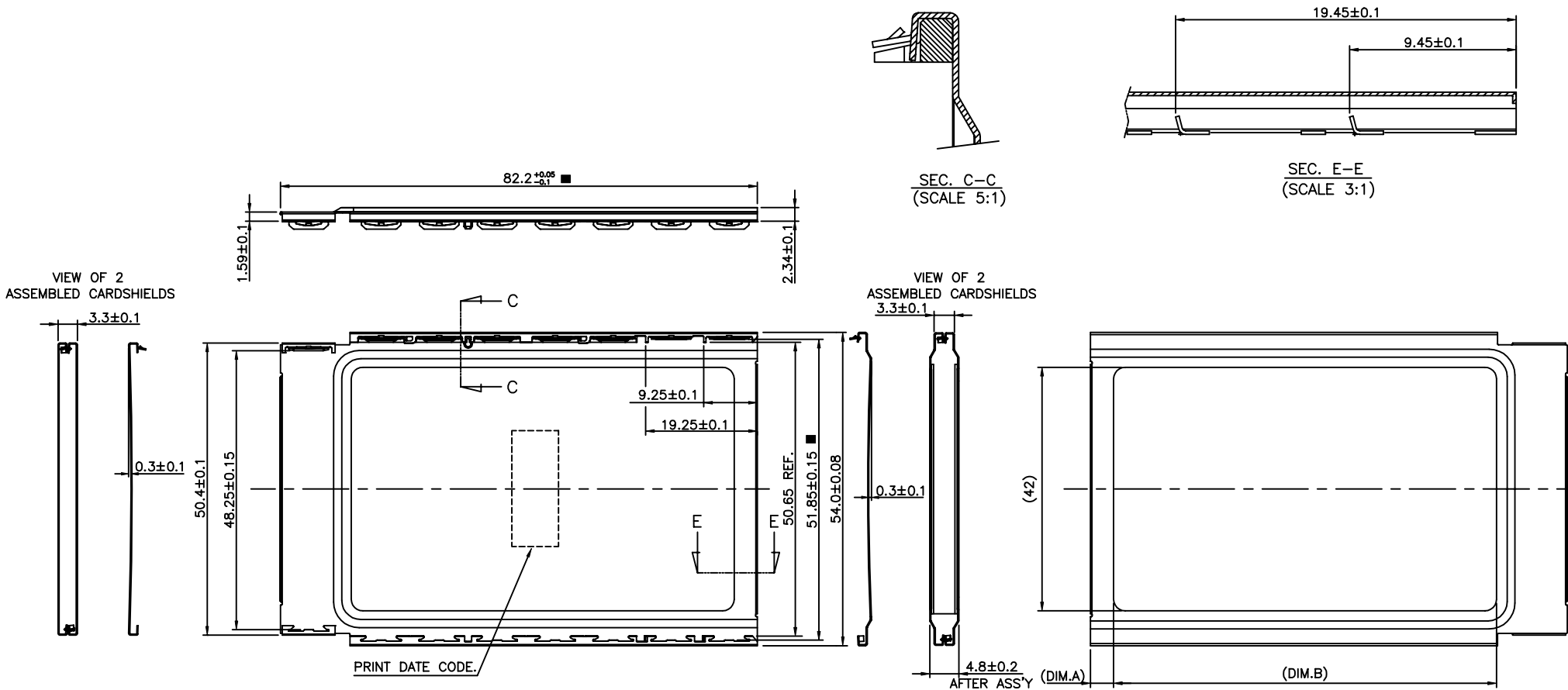
NOTE: 1. ■ : CPK MARK >= 1.5

mat'l code				tolerance unless otherwise specified				CUSTOMER		FCI		www.fciconnect.com	
rev. ecn no. dr date				linear		X. ±0.3		COPY		title			
F						.X ±0.13		projection		ROCARD SHIELD			
				angles		.XX±0.05		⊕		product family		PCMCIA	
				dr		WENDY CHEN 10/21/02		unit		mm/inch		code	
				enr		DAVID TENG 10/21/02		size		dwg no.		sheet	
				chr		TONY CHIEN 10/21/02		scale		A3		10017657	
				appd		JENN TSAO 10/21/02						2 OF	
sheet		revision		index		sheet							

Tous droits strictement réservés. Reproduction ou communication a des tiers int sous quelque forme que ce soit sans autorisation écrite du propriétaire. Property of c BERG ELECTRONICS. Copyright BERG ELECTRONICS by

All rights strictly reserved. Reproduction or issue to third parties in any for whatever is not permitted without written authority from the proprietor. Property of c BERG ELECTRONICS. Copyright BERG ELECTRONICS by

1	2	3	4	5	6
PRODUCT NUMBER		DIM.A	DIM.B		
10017657-20100 OR 10017657-20100LF		4.0	66		
10017657-20200 OR 10017657-20200LF		7.0	63		



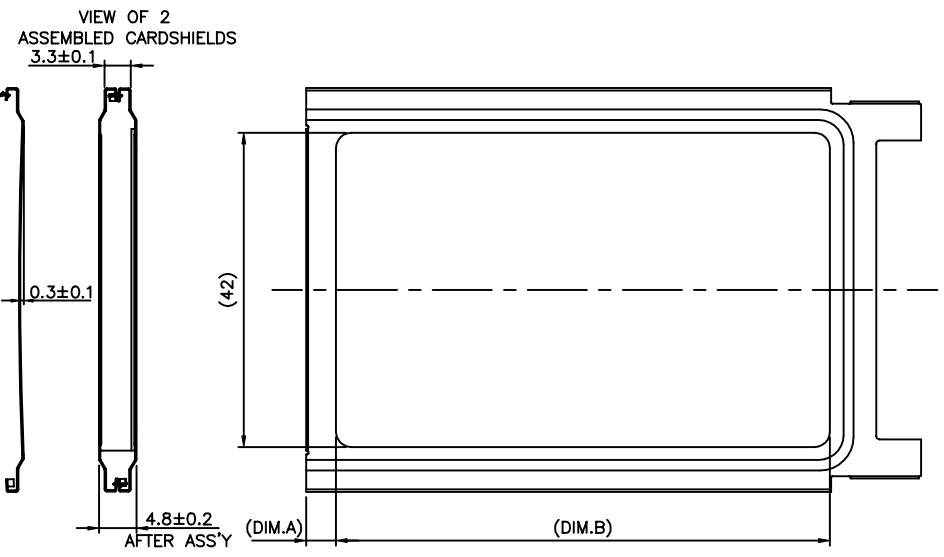
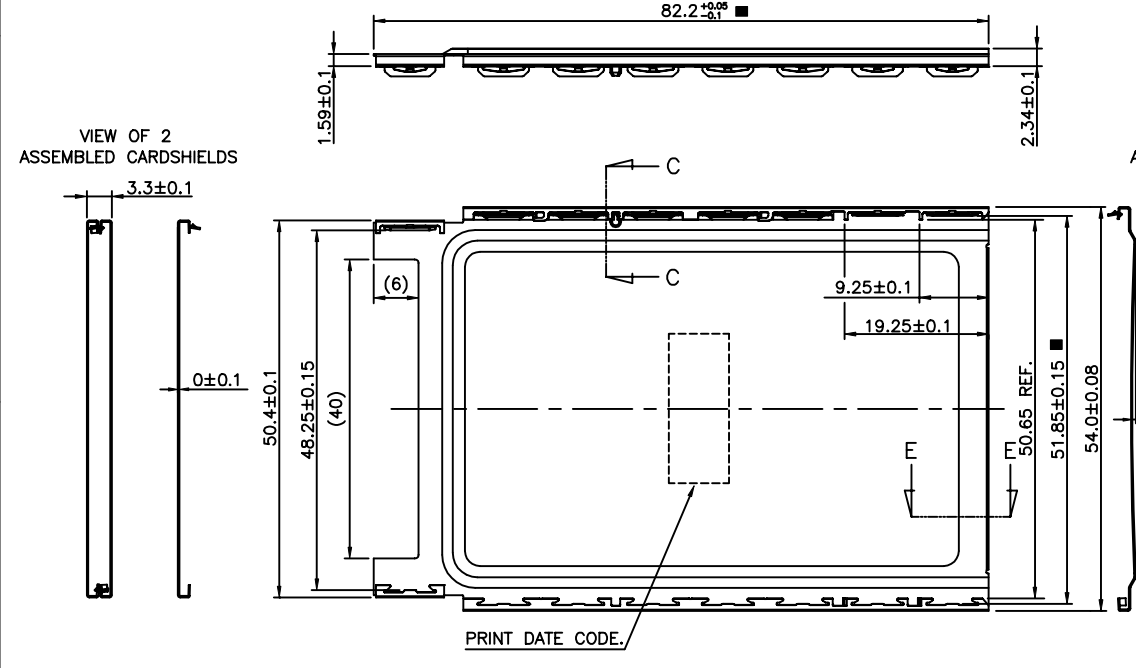
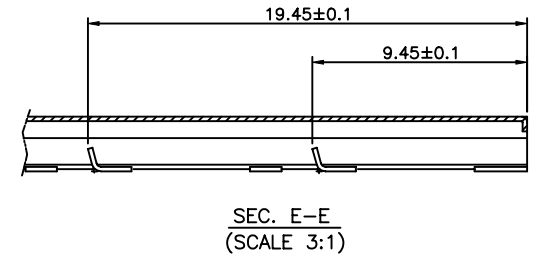
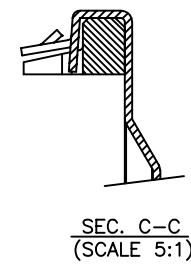
NOTE: 1. ■ : CPK MARK >= 1.5

mat'l code		tolerance unless otherwise specified		CUSTOMER		A FCI		www.fciconnect.com	
rev.	ecn no.	dr	date	linear	X. ±0.3	projection	title	COPY	
F					.X ±0.13			ROCARD SHIELD	
				angles	.XX±0.05	unit	size	dwg no.	code
					±2°				
				dr	WENDY CHEN	10/21/02	scale		
				enr	DAVID TENG	10/21/02			
				chr	TONY CHIEN	10/21/02			
				appd	JENN TSAO	10/21/02			
sheet index	revision	sheet							

Tous droits strictement réservés. Reproduction ou communication a des tiers int sous quelque forme que ce soit sans autorisation écrite du propriétaire. Property of c BERG ELECTRONICS. Copyright BERG ELECTRONICS by

All rights strictly reserved. Reproduction or issue to third parties in any for whatever is not permitted without written authority from the proprietor. Property of c BERG ELECTRONICS. Copyright BERG ELECTRONICS by

1	2	3	4	5	6
PRODUCT NUMBER		DIM.A	DIM.B		
10017657-20101 OR 10017657-20101LF		4.0	66		
10017657-20201 OR 10017657-20201LF		7.0	63		



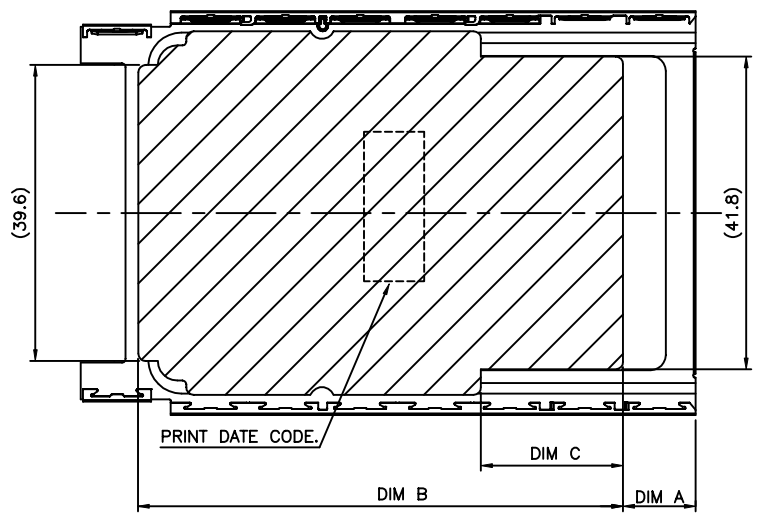
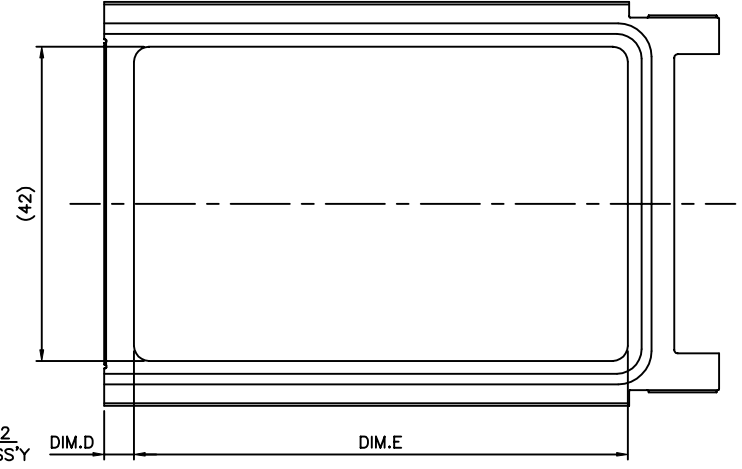
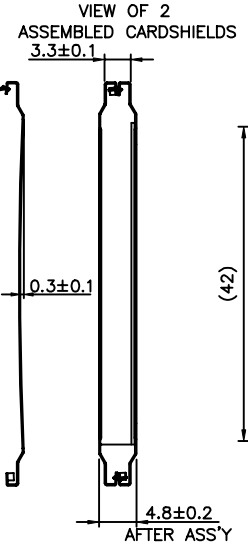
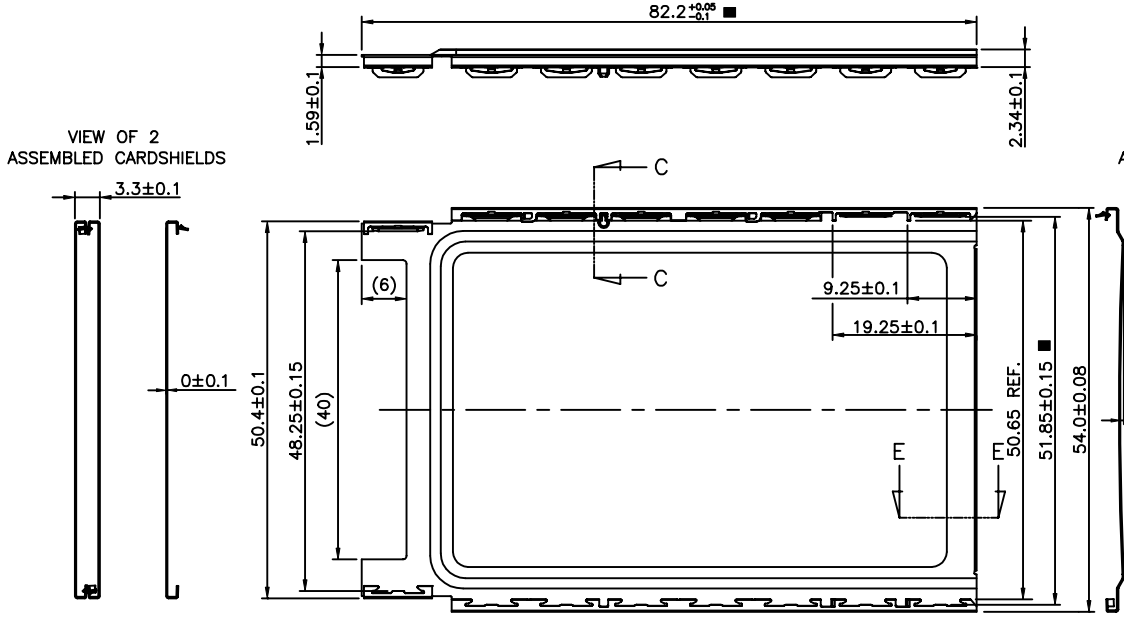
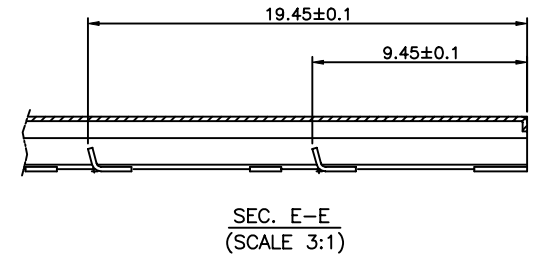
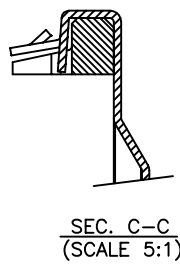
NOTE: 1. ■ : CPK MARK >= 1.5

mat'l code		tolerance unless otherwise specified		CUSTOMER COPY		 www.fciconnect.com	
rev.	ecn no.	dr	date	linear	X. ±0.3	projection	title
F					.X ±0.13		ROCARD SHIELD
				angles	.XX±0.05		product family
					±2°	unit	PCMCIA
		dr	WENDY CHEN	10/21/02	mm/inch	size	dwg no.
		enr	DAVID TENG	10/21/02	scale	A3	10017657
		chr	TONY CHIEN	10/21/02			sheet
		appd	JENN TSAO	10/21/02			4 OF
sheet	revision						
index	sheet						

Tous droits strictement réservés. Reproduction ou communication à des tiers interdite sans autorisation écrite du propriétaire. Property of c BERG ELECTRONICS. Copyright BERG ELECTRONICS by

All rights strictly reserved. Reproduction or issue to third parties in any form or by any means, electronic or mechanical, including photocopying, recording, or by any information storage and retrieval system, is not permitted without written authority from the proprietor. Property of c BERG ELECTRONICS. Copyright BERG ELECTRONICS by

PRODUCT NUMBER	DIM A	DIM B	DIM C	DIM D	DIM E
10017657-20111 OR 10017657-20111LF	1.4±1.0	73.1 REF	27.3 REF	4.0	66
10017657-20121 OR 10017657-20121LF	9.7±1.0	64.8 REF	19.0 REF	4.0	66
10017657-20211 OR 10017657-20211LF	1.4±1.0	73.1 REF	27.3 REF	7.0	63
10017657-20221 OR 10017657-20221LF	9.7±1.0	64.8 REF	19.0 REF	7.0	63



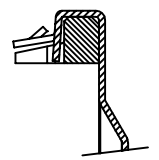
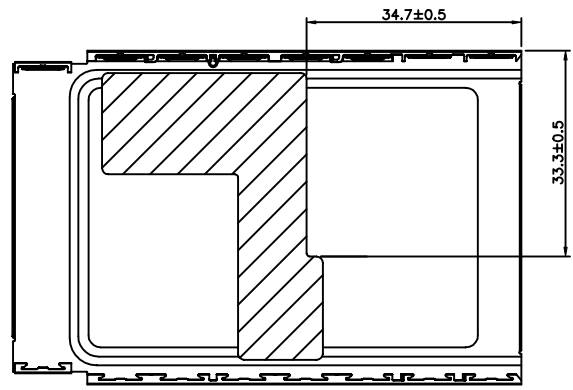
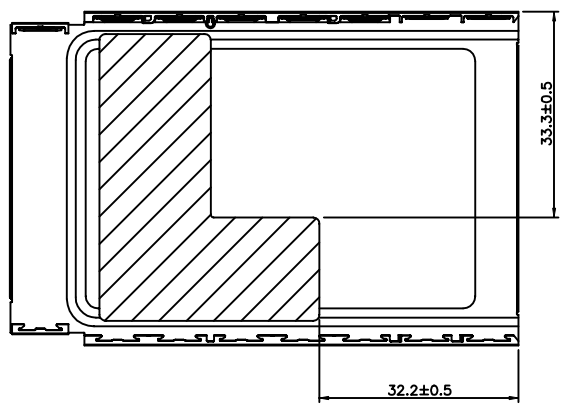
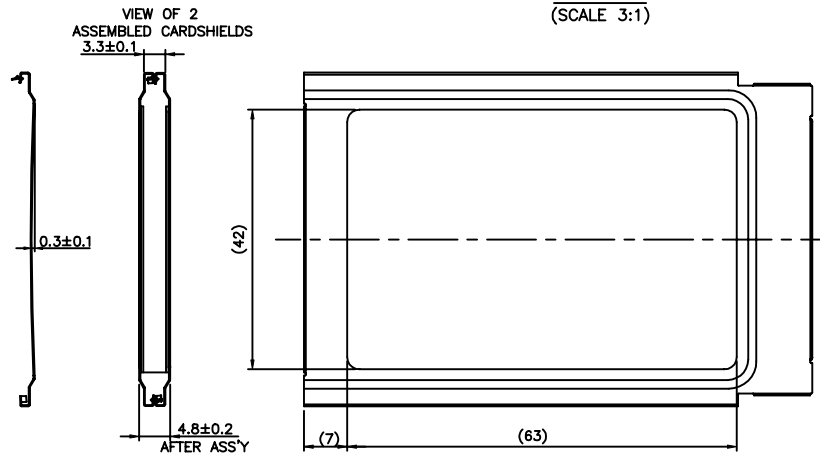
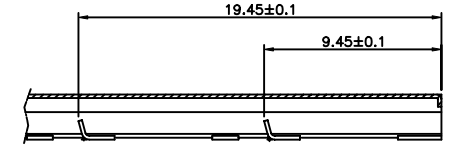
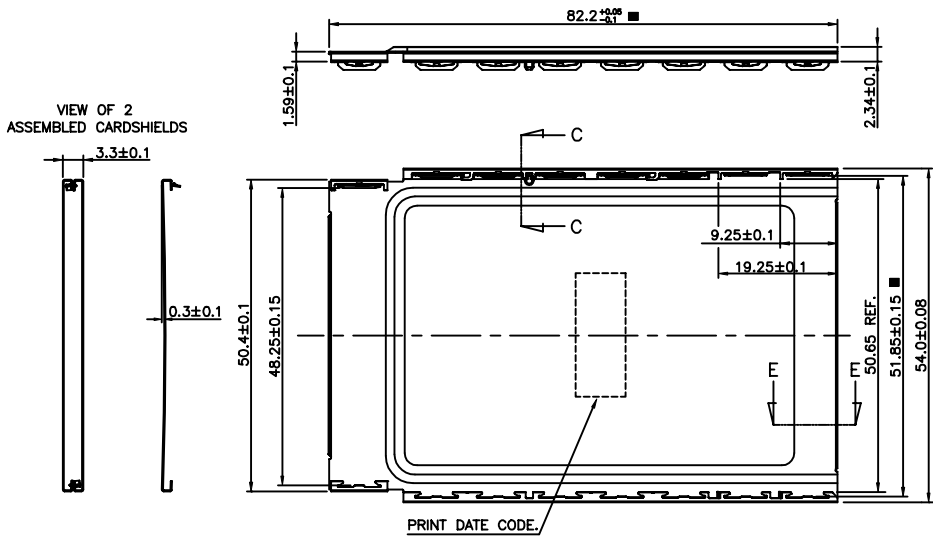
NOTE: 1. ■ : CPK MARK >= 1.5

mat'l code		tolerance unless otherwise specified		CUSTOMER COPY		 www.fciconnect.com	
rev.	ecn no.	dr	date	linear	X. ±0.3	projection	title
F					.X ±0.13		ROCARD SHIELD
				angles	.XX±0.05		product family
				dr	WENDY CHEN 10/21/02	unit	mm/inch
				enr	DAVID TENG 10/21/02	size	dwg no.
				chr	TONY CHIEN 10/21/02	scale	10017657
				appd	JENN TSAO 10/21/02		sheet 5 OF
sheet index	revision sheet						

Tous droits strictement réservés. Reproduction ou communication à des tiers interdite sans la permission écrite du propriétaire. Copyright BERG ELECTRONICS

All rights strictly reserved. Reproduction or issue to third parties in any form without the written authority from the proprietor. Copyright BERG ELECTRONICS

1	2	3	4	5	6
PRODUCT NUMBER		CISCO P/N			
10017657-20230-C1 OR 10017657-20230-1LF		62-10960-01			
10017657-20230-C2 OR 10017657-20230-2LF		62-10962-01			



SEC. C-C (SCALE 5:1)

P/N: 10017657-20230-C1
OR
P/N: 10017657-20230-C1LF

P/N: 10017657-20230-C2
OR
P/N: 10017657-20230-C2LF

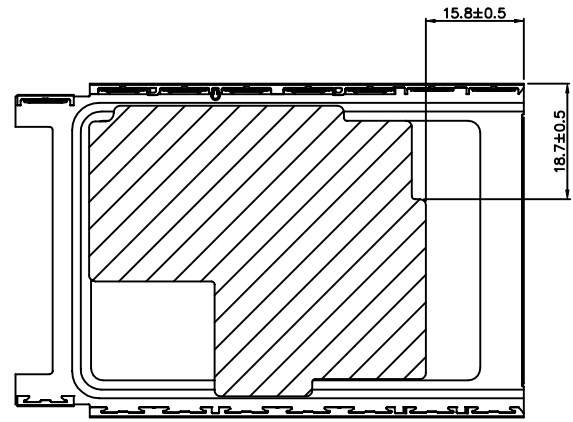
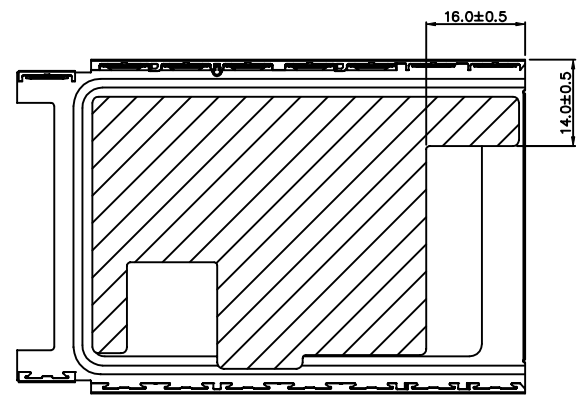
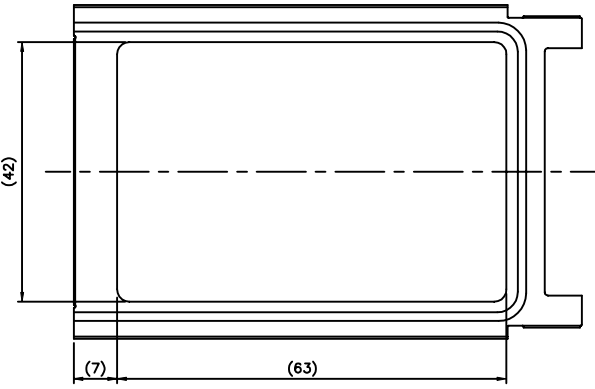
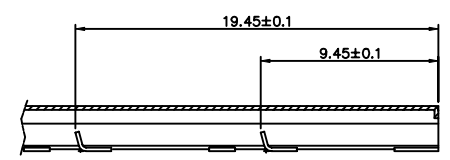
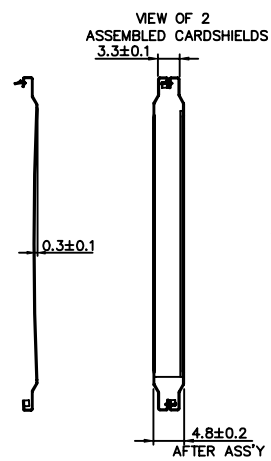
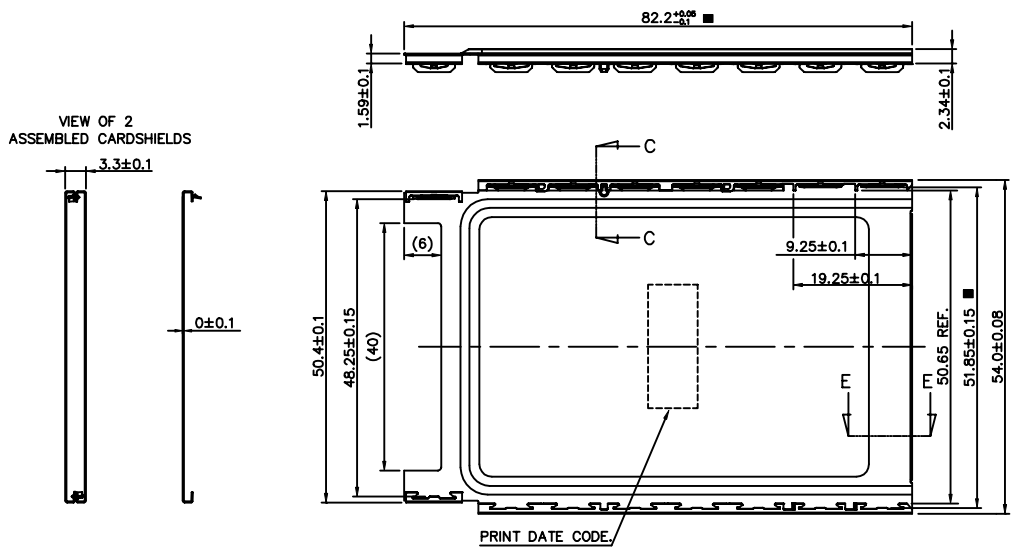
NOTE: 1. ■ : CPK MARK >= 1.5

mat'l code				tolerance unless otherwise specified		CUSTOMER COPY		 www.fciconnect.com	
rev.	ecn	no.	dr	date	linear	X. ±0.3	projection	title	
F						.X ±0.13		ROCARD SHIELD	
					angles	.XX ±0.05		CUSTOMIZED INSULATOR	
					dr	±2°	unit	product family	code
					enr		mm/inch	PCMCIA	
					chr	WENDY CHEN 04/03/03	scale	size	dwg no.
					appd	DAVID TENG 04/03/03	A3	10017657	sheet
						TONY CHIEN 04/03/03			6 OF
						JENN TSAO 04/03/03			
sheet	revision								
index	sheet								

Tous droits strictement réservés. Reproduction ou communication a des tiers int sous quelque forme que ce soit sans autorisation écrite du propriétaire. Property of c BERG ELECTRONICS. Copyright BERG ELECTRONICS by

All rights strictly reserved. Reproduction or issue to third parties in any for whatever is not permitted without written authority from the proprietor. Property of c BERG ELECTRONICS. Copyright BERG ELECTRONICS by

1 PRODUCT NUMBER		2 CISCO P/N	
10017657-20231-C1 OR 10017657-20231-1LF		62-10959-01	
10017657-20231-C2 OR 10017657-20231-2LF		62-10961-01	



SEC. C-C (SCALE 5:1)

NOTE: 1. ■ : CPK MARK >= 1.5

P/N: 10017657-20231-C1
OR
P/N: 10017657-20231-C1LF

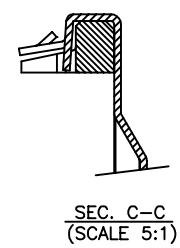
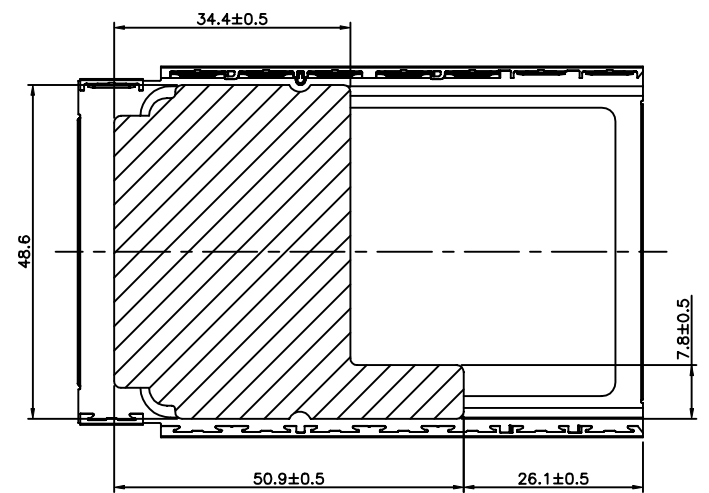
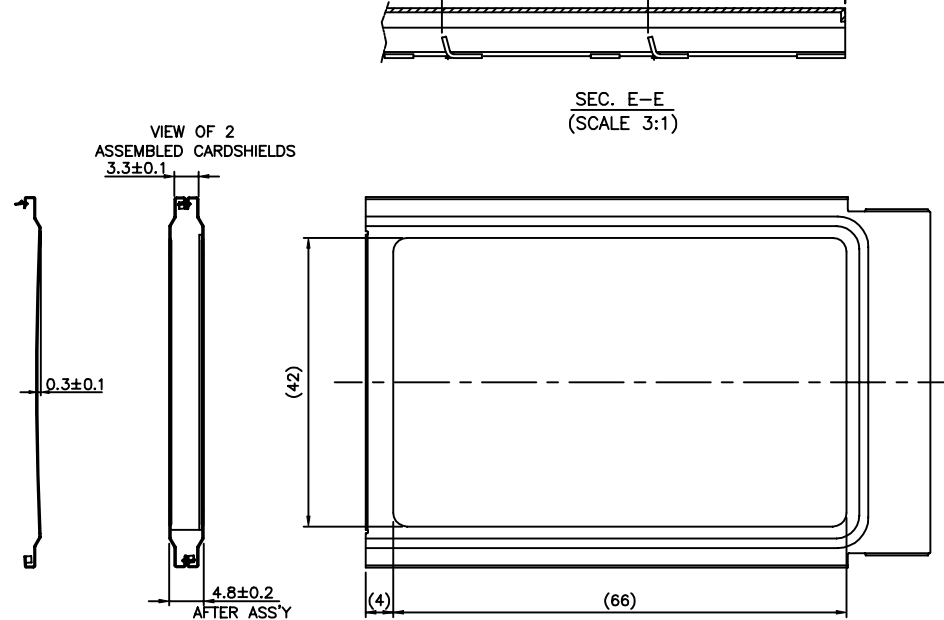
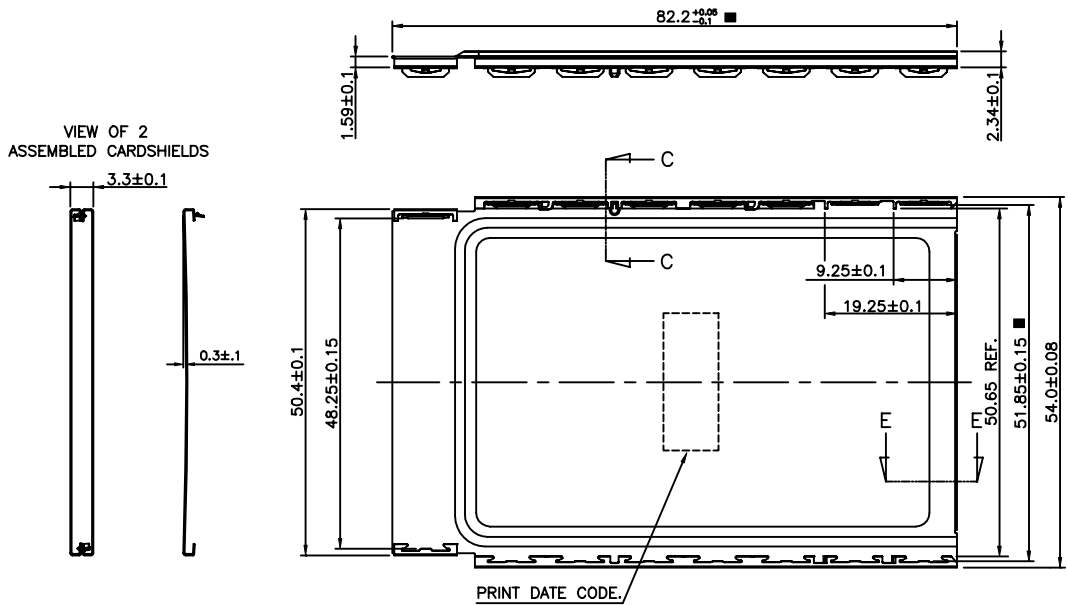
P/N: 10017657-20231-C2
OR
P/N: 10017657-20231-C2LF

mat'l code				tolerance unless otherwise specified				CUSTOMER COPY		 www.fciconnect.com	
rev.	ecn no.	dr	date	linear	X. ±0.3		projection		title		
F					.X ±0.13				ROCARD SHIELD		
					.XX±0.05				CUSTOMIZED INSULATOR		
				angles	±2°		unit mm/inch	scale	product family		code
				dr	WENDY CHEN	04/03/03			PCMCIA		
				enr	DAVD TENG	04/03/03			size	dwg no.	
				chr	TONY CHIEN	04/03/03			A3	10017657	sheet 7 of
				appd	JENN TSAO	04/03/03					
sheet index	revision sheet										

Tous droits strictement réservés. Reproduction ou communication à des tiers int
 sous quelque forme que ce soit sans autorisation écrite du propriétaire.
 Property of c BERG ELECTRONICS
 Copyright BERG ELECTRONICS by

All rights strictly reserved. Reproduction or issue to third parties in any for
 whatever is not permitted without written authority from the proprietor.
 Property of c BERG ELECTRONICS.
 Copyright BERG ELECTRONICS by

1	2	3	4	5	6
PRODUCT NUMBER		GEMTEK P/N			
10017657-20130-G1 OR 10017657-20130-1LF		23-600-0027			



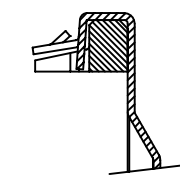
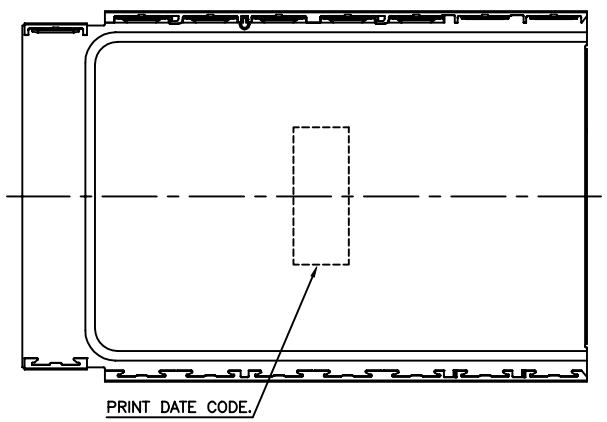
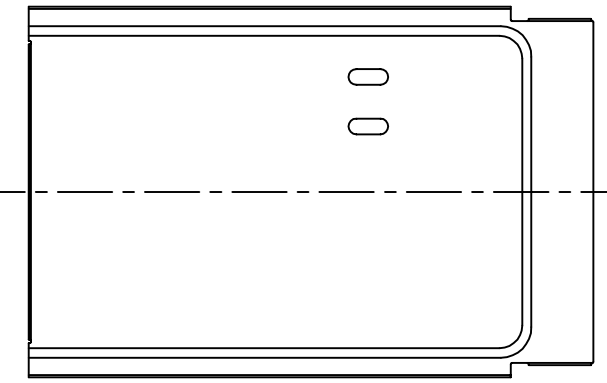
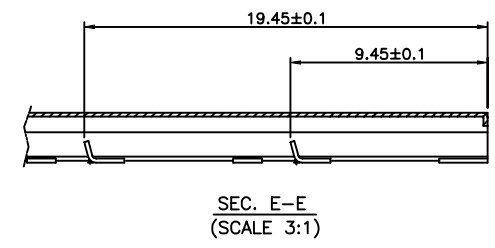
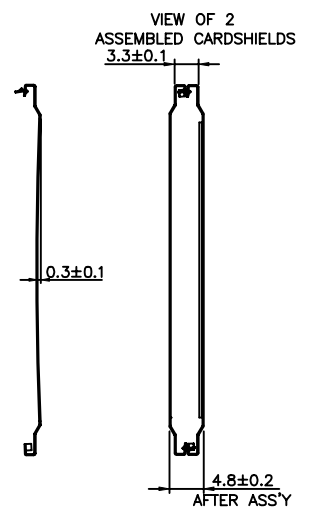
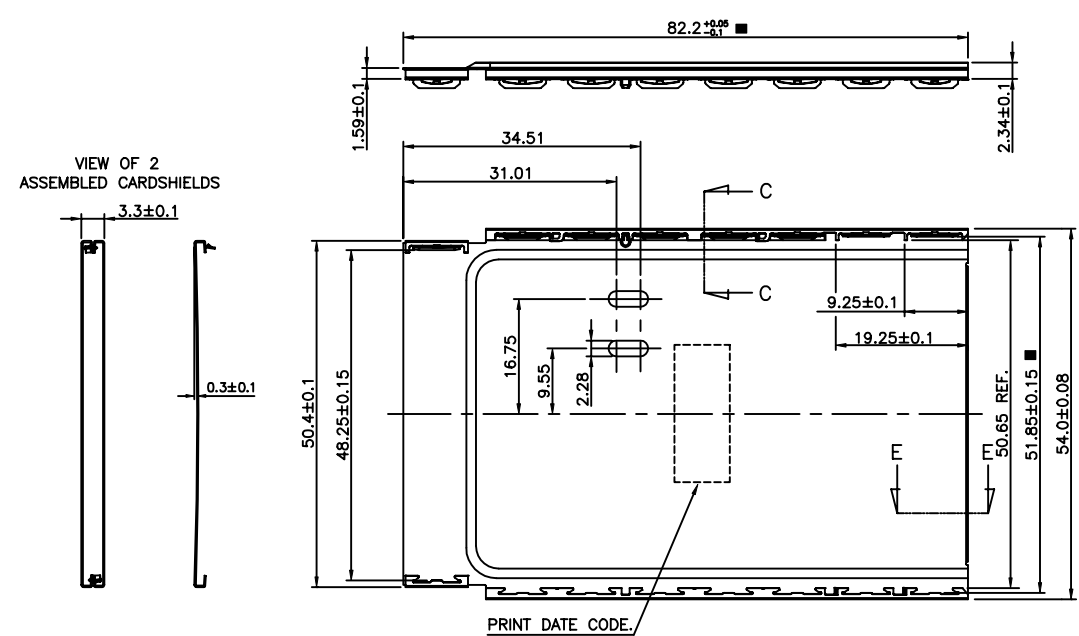
NOTE: 1. ■ : CPK MARK >= 1.5

mat'l code		tolerance unless otherwise specified		CUSTOMER COPY		 www.fciconnect.com	
rev.	ecn no.	dr	date	linear	X. ±0.3	projection	title
F					.X ±0.13		ROCARD SHIELD CUSTOMIZED INSULATOR
				angles	.XX±0.05		product family
				dr	WENDY CHEN 07/15/03	unit	code
				enr	DAVID TENG 07/15/03	mm/inch	size
				chr	TONY CHIEN 07/15/03	scale	dwg no.
				appd	JENN TSAO 07/15/03	A3	10017657
sheet	revision						sheet
index	sheet						8 OF

Tous droits strictement réservés. Reproduction ou communication a des tiers int sous quelque forme que ce soit sans autorisation écrite du propriétaire. Property of c BERG ELECTRONICS. Copyright BERG ELECTRONICS by

All rights strictly reserved. Reproduction or issue to third parties in any for whatever is not permitted without written authority from the proprietor. Property of c BERG ELECTRONICS. Copyright BERG ELECTRONICS by

1 PRODUCT NUMBER		2 REMARK		3		4		5		6	
10017657-20000 OR 10017657-20000LF		STANDARD TYPE (NONE OVAL-SHAPE HOLE)									
10017657-20000-01 OR 10017657-20000-1LF		FOR NOVATEL SPECIAL REQUEST (WITH OVAL-SHPAE HOLE)									



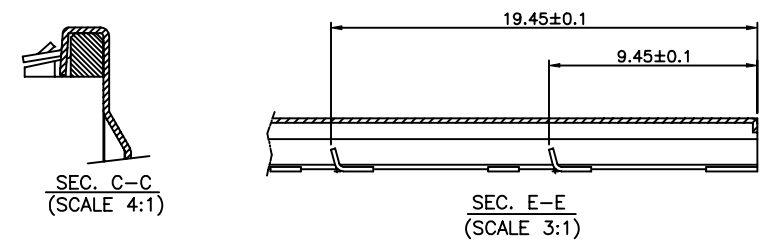
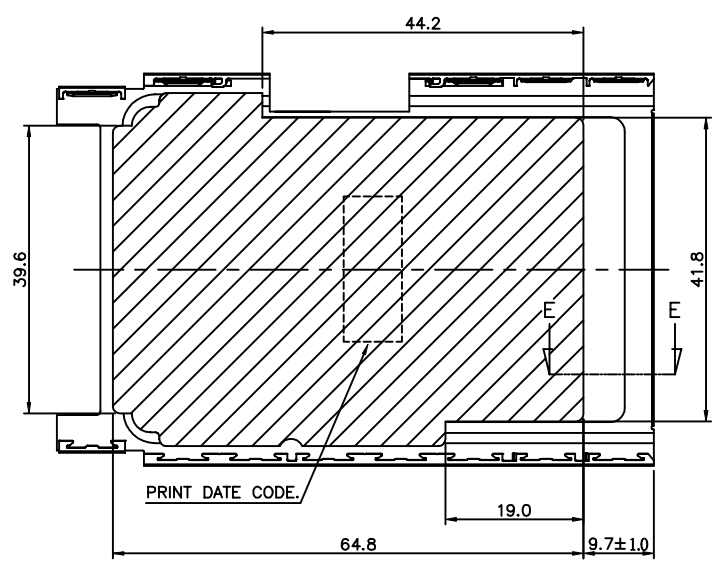
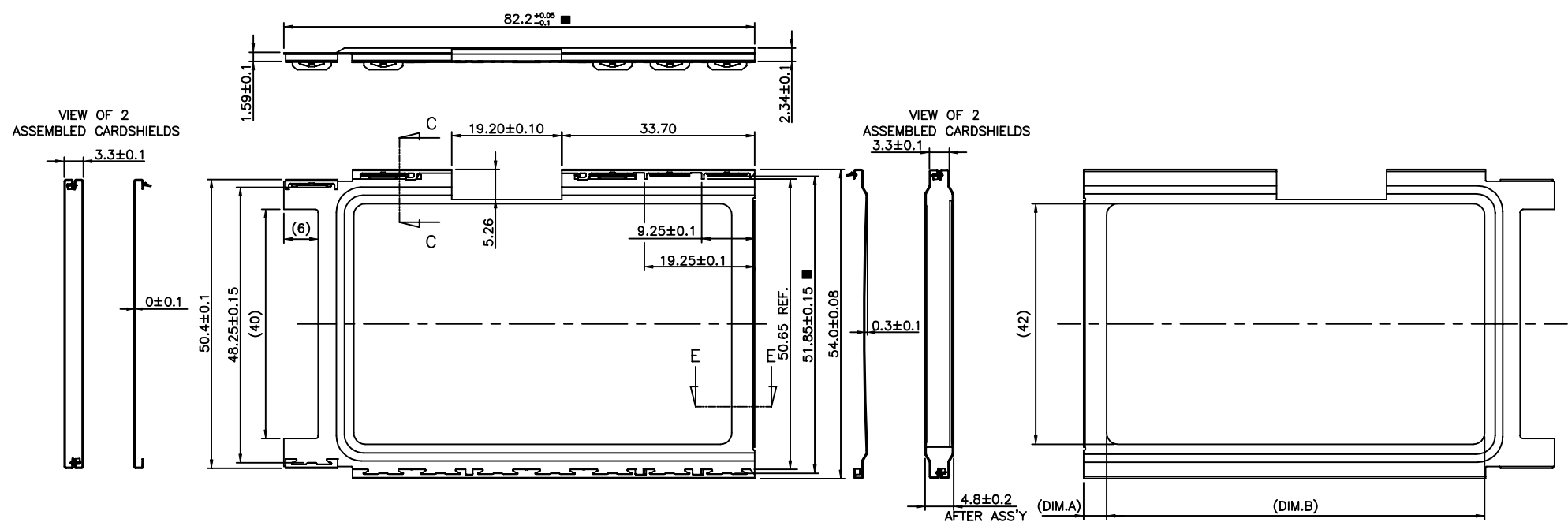
NOTE: 1. ■ : CPK MARK >= 1.5

P/N: 10017657-20000 OR 10017657-20000LF

mat'l code		tolerance unless otherwise specified		CUSTOMER COPY		 www.fciconnect.com	
rev.	ecn no.	dr	date	linear	X. ±0.3	projection	title
F					.X ±0.13		ROCARD SHIELD
				angles	.XX ±0.05		CUSTOMIZED REQUIREMENT
				dr	WENDY CHEN 04/03/06	unit	product family
				enr	DAVID TENG 04/03/06	mm/inch	PCMCIA
				chr	DAVID TENG 04/03/06	scale	code
				appd	JOSEPH HSIA 04/03/06	A3	10017657
sheet index	revision sheet						9 OF

1		2		3		4		5		6	
PRODUCT NUMBER		DIM.A	DIM.B	FRAME		INSULATOR					
10017657-20201-1LF		7.0	63	YES WITH SPECIAL CUT		YES					

Tous droits strictement réservés. Reproduction ou communication a des tiers int sous quelque forme que ce soit sans autorisation écrite du propriétaire. Property of c BERG ELECTRONICS. Droits de reproduction BERG ELECTRONICS by



NOTE: 1. ■ : CPK MARK >= 1.5

All rights strictly reserved. Reproduction or issue to third parties in any for whatever is not permitted without written authority from the proprietor. Property of c BERG ELECTRONICS. Copyright BERG ELECTRONICS by

P/N: 10017657-20201-1LF

mat'l code				tolerance unless otherwise specified				CUSTOMER		 www.fciconnect.com	
rev.	ecn no.	dr	date	linear	X. ±0.3	COPY		projection	title		
H					.X ±0.13	A3			ROCARD SHIELD		
					.XX ±0.05	A3			CUSTOMIZED REQUIREMENT		
				angles	±2°	unit			product family		code
				dr	WENDY CHEN 05/10/06	mm/inch			PCMCIA		
				enr	DAVID TENG 05/10/06	scale			size		dwg no.
				chr	DAVID TENG 05/10/06	scale		A3		10017657	100F
				appd	JOSEPH HSIA 05/10/06						
sheet	revision										
index	sheet										