



Chipsmall Limited consists of a professional team with an average of over 10 year of expertise in the distribution of electronic components. Based in Hongkong, we have already established firm and mutual-benefit business relationships with customers from,Europe,America and south Asia,supplying obsolete and hard-to-find components to meet their specific needs.

With the principle of “Quality Parts,Customers Priority,Honest Operation,and Considerate Service”,our business mainly focus on the distribution of electronic components. Line cards we deal with include Microchip,ALPS,ROHM,Xilinx,Pulse,ON,Everlight and Freescale. Main products comprise IC,Modules,Potentiometer,IC Socket,Relay,Connector.Our parts cover such applications as commercial,industrial, and automotives areas.

We are looking forward to setting up business relationship with you and hope to provide you with the best service and solution. Let us make a better world for our industry!



## Contact us

Tel: +86-755-8981 8866 Fax: +86-755-8427 6832

Email & Skype: info@chipsmall.com Web: www.chipsmall.com

Address: A1208, Overseas Decoration Building, #122 Zhenhua RD., Futian, Shenzhen, China



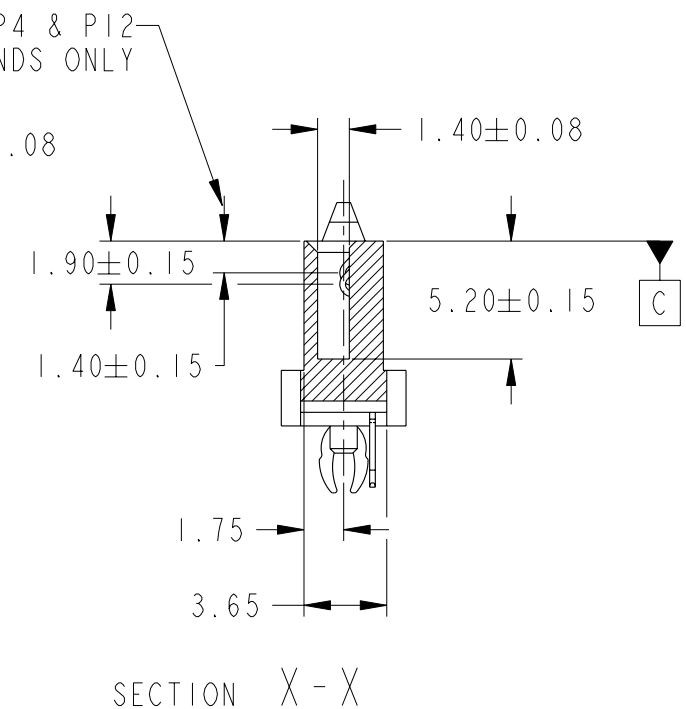
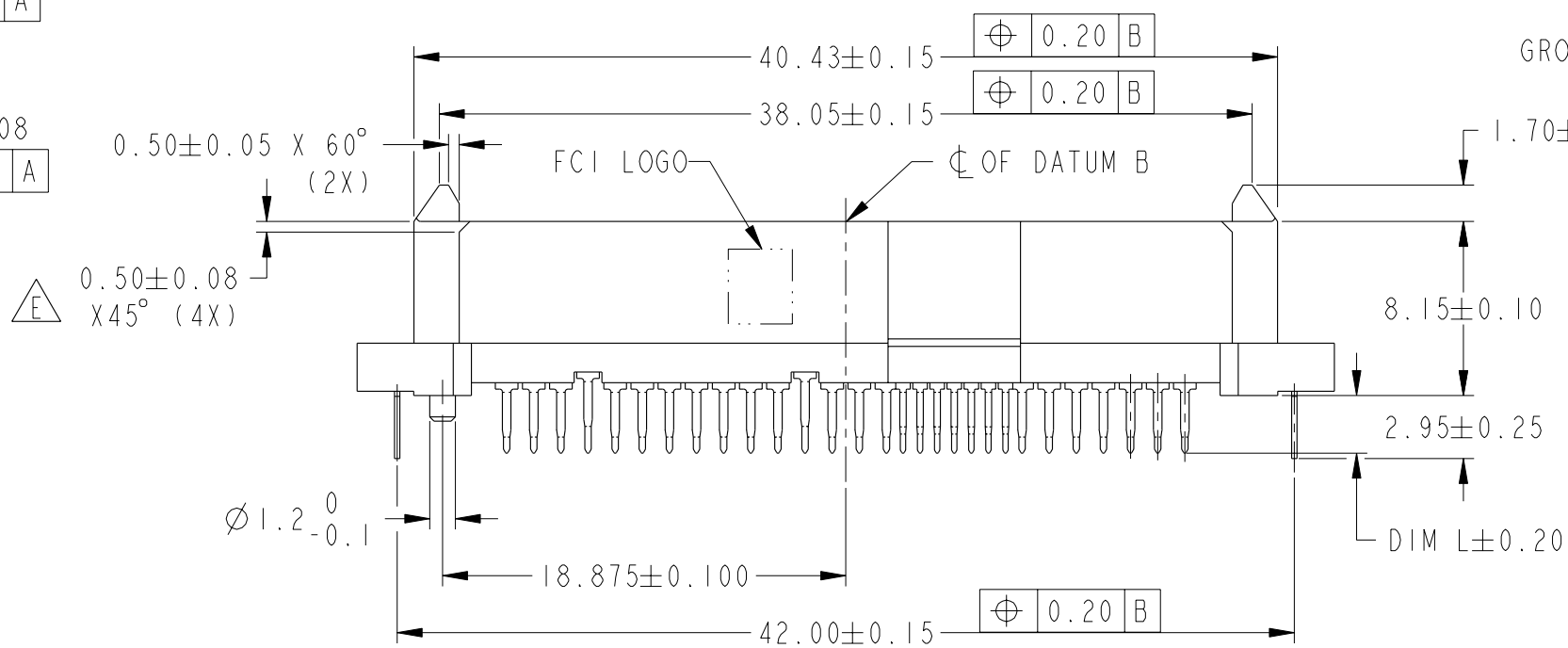
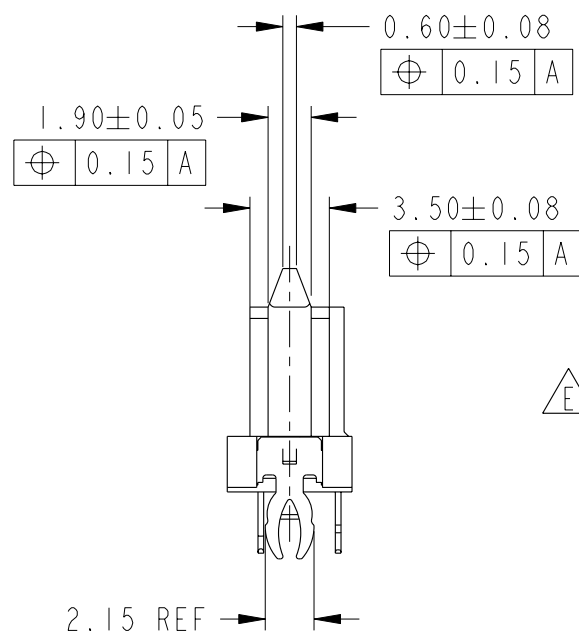
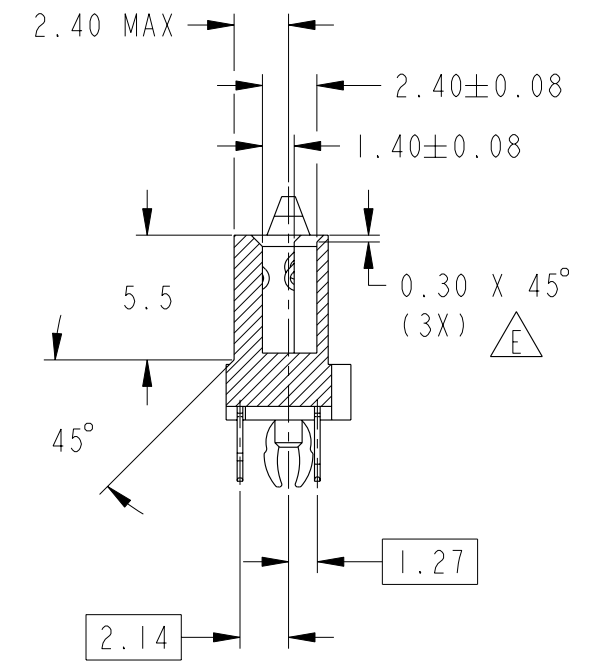
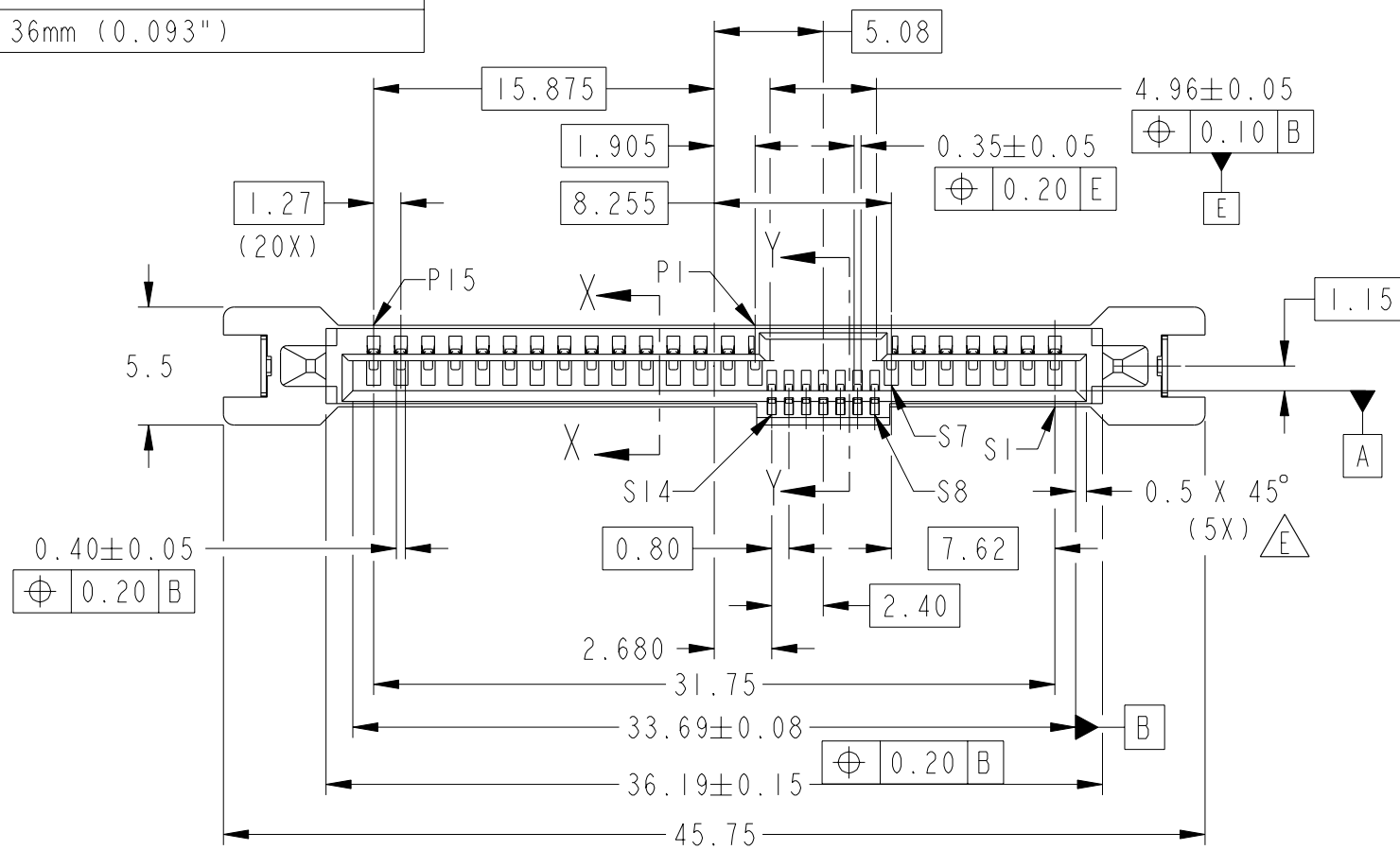
PRODUCT NO	DIM L	RECOMMENDED P.C. BOARD THICKNESS
10018182-00ILF	2.70	1.57mm (0.062") / 2.36mm (0.093")
10018182-01ILF	3.70	2.36mm (0.093")

A

B

C

D



spec ref	-	dr	GL LOO	2004-02-27	projection	MM	size	A3	scale	3:1
tolerance std	ISO 406 ISO 1101	eng	GL LOO	2004-02-27			ecn no	S10-0228	rel level	-
TOLERANCES UNLESS OTHERWISE SPECIFIED		chr	GL LOO	2010-10-28						
surface	ISO 1302	appr	JOEY NG	2010-10-28	SAS RECEPTACLE VERTICAL TH TYPE ASSY		dwg no	10018182	rev	E
	linear	0.X	±		www.fci.com		cat. no.	-	Product - Customer Drw	sheet 1 of 2
		0.XX	±0.20							
		0.XXX	±							
	angular	0°	±2°							

A

B

C

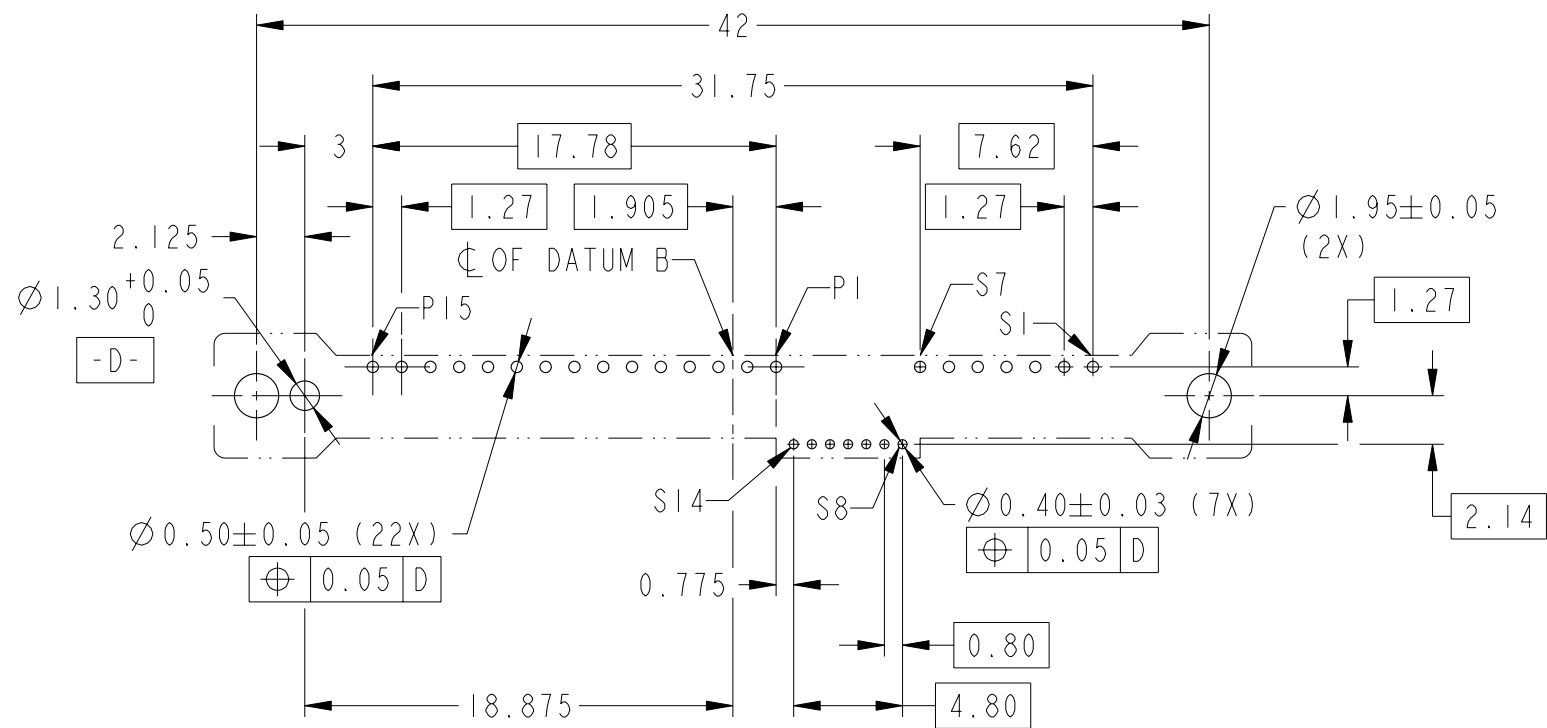
D



Copyright FCI.

**NOTES :**

- 1. MATERIAL :
  - 1) HOUSING : HIGH TEMP THERMOPLASTIC, UL 94V-0
  - COLOR : BLACK
  - 2) TERMINAL : COPPER ALLOY
  - 3) HOLD DOWN : COPPER ALLOY
- 2. FINISH :
  - 1) TERMINAL : 30µ" Au PLATING (CONTACT POINT) OVER 50µ" NICKEL
  - 2) SOLDER TAIL : 50µ" MIN Sn OVER 50µ" NICKEL
  - 3) HOLD DOWN : 50µ" MIN Sn OVER 50µ" NICKEL
- 3. PER SFF REV 1.1 EXCEPT 0.8mm PITCH BUMP AREA.
- 4. THE STD PACKAGING IS IN TRAY.
- 5. THE HOUSING WILL WITHSTAND EXPOSURE TO 260°C PEAK TEMPERATURE FOR 10 SECONDS IN A WAVE SOLDER APPLICATION WITH A 1.57mm MINIMUM THICK CIRCUIT BOARD.
- 6. THIS PRODUCT MEETS EUROPEAN UNION DIRECTIVES AND OTHER COUNTRY REGULATIONS AS DESCRIBED IN GS-22-008.
- 7. PART NUMBERS ENDING IN "LF" MEANS FOR NOTE 6 LEAD FREE IDENTIFICATION. ~~P/N XXXXXXXX XXXLF IS EQUIVALENT TO PREVIOUS P/N XXXXXXXX XXX.~~
- 8. A SYMBOL WILL BE NEXT TO ANY DIMENSION, VIEW, OR NOTE WHICH HAS BEEN MODIFIED WITH THE CURRENT DRAWING REVISION.



**RECOMMENDED P.C.B LAYOUT**



Copyright FCI.

spec ref -		dr GL LOO	2004-02-27	projection	MM	size A3	scale 3:1	
tolerance std		eng GL LOO	2004-02-27		←→	ecn no	S10-0228	
ISO 406		chr GL LOO	2010-10-15					
ISO 1101		appr JOEY NG	2010-10-15			product family -	rel level -	
surface  ISO 1302		linear	0.X ± -	title SAS RECEPTACLE VERTICAL TH TYPE ASSY cat. no. - Product - Customer Drw			dwg no	10018182
			0.XX ±0.20					
			0.XXX ± -				rev	E
	angular	0° ±2°	www.fci.com		sheet 2 of 2			