



Chipsmall Limited consists of a professional team with an average of over 10 year of expertise in the distribution of electronic components. Based in Hongkong, we have already established firm and mutual-benefit business relationships with customers from,Europe,America and south Asia,supplying obsolete and hard-to-find components to meet their specific needs.

With the principle of “Quality Parts,Customers Priority,Honest Operation,and Considerate Service”,our business mainly focus on the distribution of electronic components. Line cards we deal with include Microchip,ALPS,ROHM,Xilinx,Pulse,ON,Everlight and Freescale. Main products comprise IC,Modules,Potentiometer,IC Socket,Relay,Connector.Our parts cover such applications as commercial,industrial, and automotives areas.

We are looking forward to setting up business relationship with you and hope to provide you with the best service and solution. Let us make a better world for our industry!



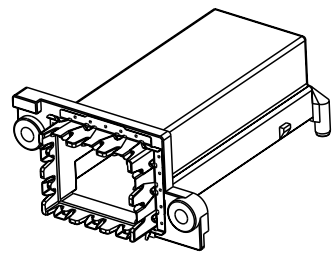
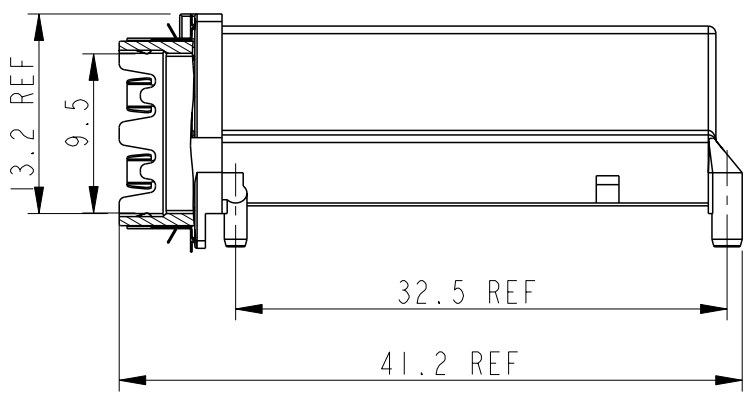
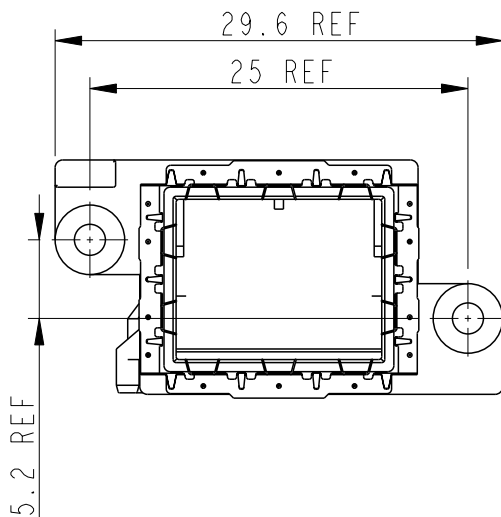
Contact us

Tel: +86-755-8981 8866 Fax: +86-755-8427 6832

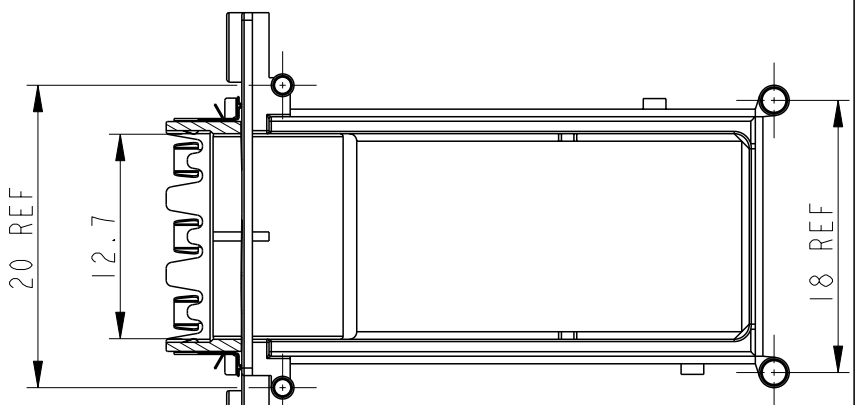
Email & Skype: info@chipsmall.com Web: www.chipsmall.com

Address: A1208, Overseas Decoration Building, #122 Zhenhua RD., Futian, Shenzhen, China





SCALE 1:1



PART NUMBERS	
10018311-001LF	LEAD FREE VERSION

NOTES:

1. Packaging specification: see GS-14-639
2. For more details, refer to drawing 72808C, 72811_C

3-ROHS INFORMATIONS:

-This product meets European Union Directives and other country regulations as described in GS-22-008.
 -Packaging spec: see GS-14-920.

rev	ecn no	dr	date
A	B20180	GNV	2002/10/28
B	LS4129	JTA	2004/12/15
C	LS06-0076	JTA	2006/05/15
D	LS06-0084	LGO	2006/06/20
E	LS08-0064	JTA	2008/03/05
-	-	-	-
-	-	-	-

www.fciconnect.com

surface	-	tolerance std	projection	mm
ISO 1302	✓	ISO 406 ISO 1101		
TOLERANCES UNLESS OTHERWISE SPECIFIED				

Dr	G. Nys	2002/03/05	ANGULAR	LINEAR	0.X	±0.3	size	A4	Scale	2:1
Eng	G. Nys	2002/03/05			0.XX	±0.1				
Chr	G. Nys	2002/03/05	0°	±2°	0.XXX	±0.05	ECN	LS08-0064		
Appr	W. Panis	2002/03/05	Product family			SOFIX		Spec ref	RELEASED	



title	COVER WITH SPRING	dwg no	10018311_C	Rev.	E
catalog no	SEE TABLE	CUSTOMER COPY	sheet 1 of 1		

REV F - 2006-04-17



Copyright FCI.