



Chipsmall Limited consists of a professional team with an average of over 10 year of expertise in the distribution of electronic components. Based in Hongkong, we have already established firm and mutual-benefit business relationships with customers from,Europe,America and south Asia,supplying obsolete and hard-to-find components to meet their specific needs.

With the principle of “Quality Parts,Customers Priority,Honest Operation,and Considerate Service”,our business mainly focus on the distribution of electronic components. Line cards we deal with include Microchip,ALPS,ROHM,Xilinx,Pulse,ON,Everlight and Freescale. Main products comprise IC,Modules,Potentiometer,IC Socket,Relay,Connector.Our parts cover such applications as commercial,industrial, and automotives areas.

We are looking forward to setting up business relationship with you and hope to provide you with the best service and solution. Let us make a better world for our industry!



## Contact us

Tel: +86-755-8981 8866 Fax: +86-755-8427 6832

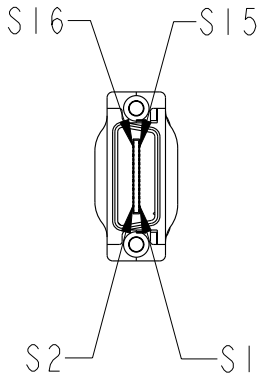
Email & Skype: info@chipsmall.com Web: www.chipsmall.com

Address: A1208, Overseas Decoration Building, #122 Zhenhua RD., Futian, Shenzhen, China

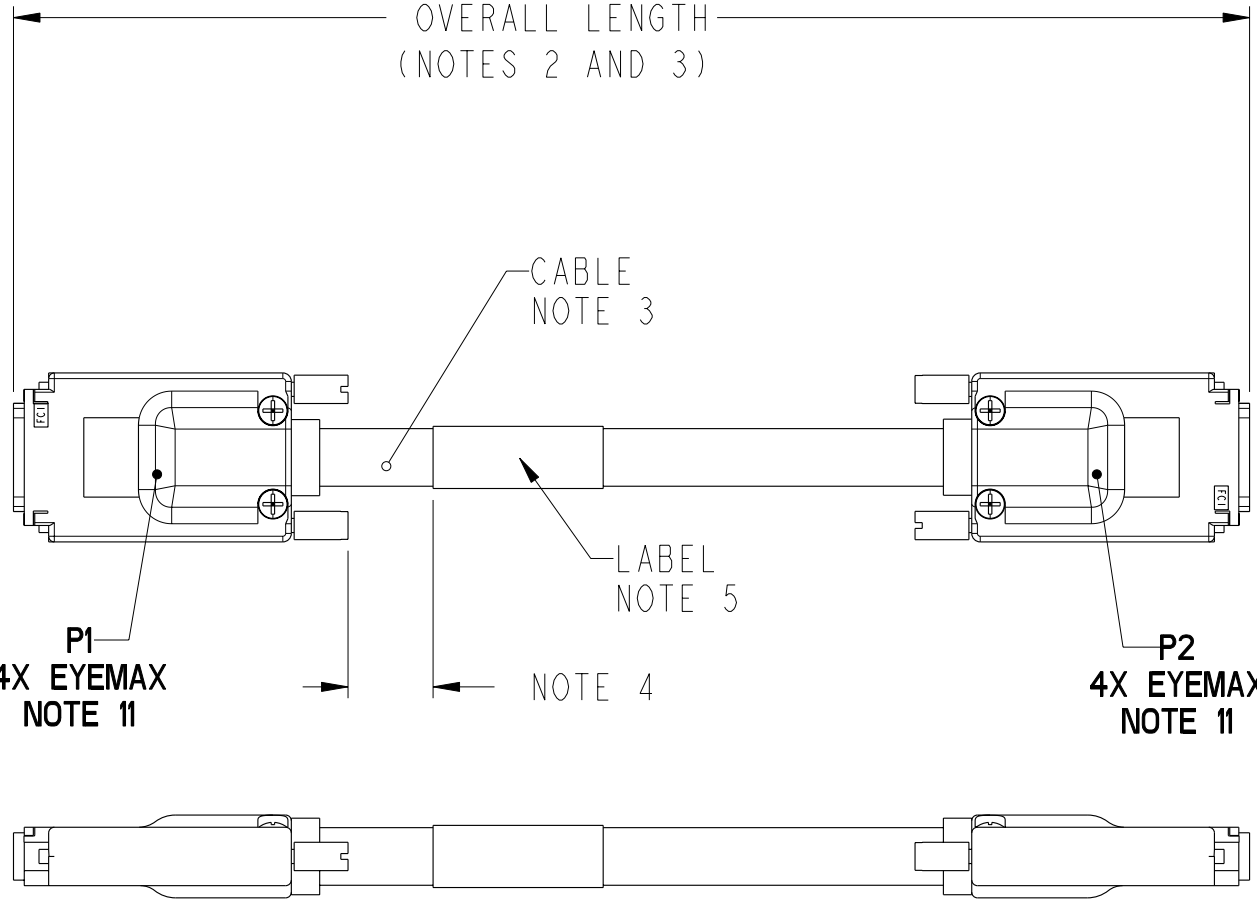


PRODUCT NUMBER  
SEE NOTE 3  
10018960-XXXXXAXLF

"L2"  
OVERALL LENGTH  
(NOTES 2 AND 3)



P1  
4X EYEMAX  
NOTE 11

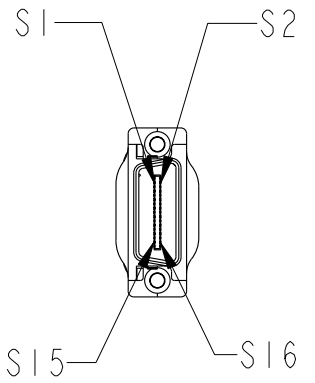


CABLE  
NOTE 3

LABEL  
NOTE 5

NOTE 4

P2  
4X EYEMAX  
NOTE 11



Copyright FCI.

rev	ecn no	dr	date
F	V06-1193	DAI	2007-01-04
-	-	-	-
-	-	-	-
-	-	-	-
-	-	-	-
-	-	-	-

www.fciconnect.com		surface <input checked="" type="checkbox"/>	tolerance std	projection	MM
TOLERANCES UNLESS OTHERWISE SPECIFIED					
Dr	D. INGRAM	2007-01-04	ANGULAR	LINEAR	size A4
Eng	C. GROSS	2007-01-04			
Chr	C. GROSS	2007-01-04	0° ±°	0.xx	±0.10
Appr	C. GROSS	2007-01-04	Product family		C&A Spec ref
FCI			title 4X EYEMAX W/THUMBSCREWS		dwg no 10018960
			CABLE ASSEMBLY (INFINIBAND™)		
catalog no			CUSTOMER		Rev. F
			sheet 1 of 3		

PRODUCT NUMBER  
SEE NOTE 3  
10018960-XXXXXAXLF

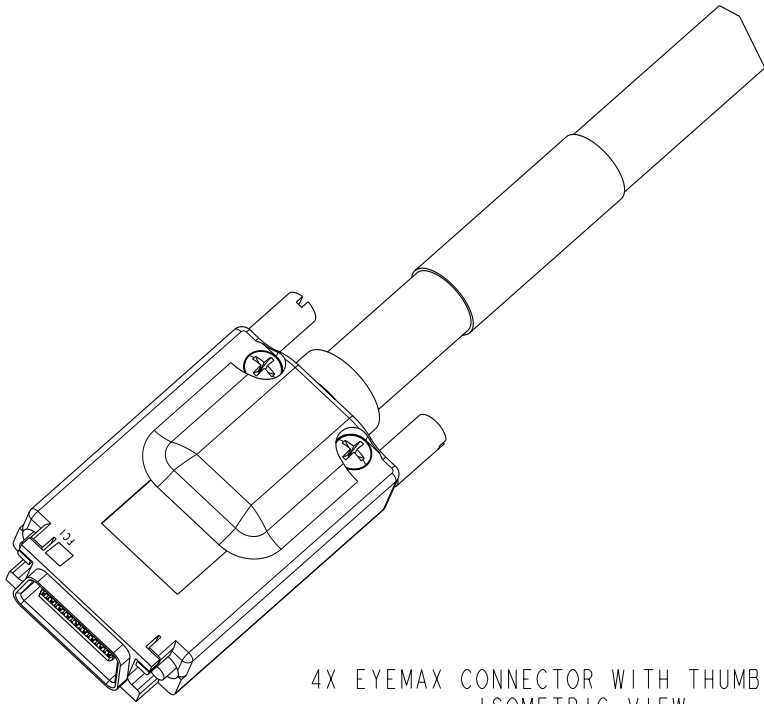
## PIN OUT/WIRING LIST SEE NOTE 6

A

B

C

D



4X EYEMAX CONNECTOR WITH THUMBSCREWS  
ISOMETRIC VIEW

P1		P2	
PIN NUMBER	WIRE ID	PIN NUMBER	WIRE ID
G1-G9	GROUND	G1-G9	GROUND
S1	IB+xlp(0)	S16	IB+xOp(0)
S2	IB+xln(0)	S15	IB+xOn(0)
S3	IB+xlp(1)	S14	IB+xOp(1)
S4	IB+xln(1)	S13	IB+xOn(1)
S5	IB+xlp(2)	S12	IB+xOp(2)
S6	IB+xln(2)	S11	IB+xOn(2)
S7	IB+xlp(3)	S10	IB+xOp(3)
S8	IB+xln(3)	S9	IB+xOn(3)
S9	IB+x0n(3)	S8	IB+xln(3)
S10	IB+x0p(3)	S7	IB+xlp(3)
S11	IB+x0n(2)	S6	IB+xln(2)
S12	IB+x0p(2)	S5	IB+xlp(2)
S13	IB+x0n(1)	S4	IB+xln(1)
S14	IB+x0p(1)	S3	IB+xlp(1)
S15	IB+x0n(0)	S2	IB+xln(0)
S16	IB+x0p(0)	S1	IB+xlp(0)

A

B

C

D



Copyright FCI.

	TITLE	4X EYEMAX W/THUMBSCREWS CABLE ASSEMBLY (INFINIBAND™)	dwg no	10018960	Rev.	F
	catalog no	-		CUSTOMER		sheet 2 of 3

PRODUCT NUMBER  
SEE NOTE 3  
10018960-XXXXXAXLF

NOTES:

1. MATING RECEPTACLE DRAWING 10009629.
2. UNLESS OTHERWISE SPECIFIED ASSEMBLED LENGTH TOLERANCE =  
 $< 1 \text{ METER} = \pm 15.0\text{mm}$   
 $> 1 \text{ METER TO } 10 \text{ METER} = \pm 2\% \text{ OF } L2$   
 $> 10 \text{ METER} = +0.00\% / -4\% \text{ OF } L2$

3. PART NUMBER DESCRIPTION: PENDING  
10018960- X XX XX A X LF

SIGNAL WIRE  
GAGE (AWG)  
M: 24 AWG  
N: 26 AWG  
P: 28 AWG  
R: 30 AWG

LEAD FREE (SEE NOTE 10)

E: EQUALIZED  
U: UN-EQUALIZED

HARDWARE TYPE  
A: THUMBSCREW

OVERALL LENGTH OF CABLE  
XXXX = XX METERS, XX CENTIMETERS  
EXAMPLES OF XXXX:  
0046 = 0 METERS 46 CENTIMETERS  
0850 = 8 METERS 50 CENTIMETERS

EXAMPLE: 10018960- M0850AULF = 24 AWG, 8.50 METER, THUMBSCREWS, UNEQUALIZED, LEAD FREE

4. UNLESS OTHERWISE SPECIFIED LABEL POSITION SHALL BE APPROXIMATELY 50mm FROM REAR OF CONNECTOR.
5. LABEL DETAILS:  
 -MANUFACTURER CODE OR NAME  
 -CUSTOMER P/N OR FCI P/N  
 -REVISION  
 -DATE CODE WW/YY FORMAT  
 -COUNTRY ORIGIN

FONT SHALL BE CLEARLY VISIBLE AND BLACK IN COLOR.

6. ALL CABLE ASSEMBLIES SHALL BE TESTED 100% FOR CONTINUITY AS DEFINED IN WIRING LIST.
7. UNLESS OTHERWISE SPECIFIED ALL CABLE ASSEMBLIES SHALL BE 100% HI-POT TESTED BY APPLYING 300V FOR MINIMUM OF 10ms, UNLESS ACTIVE COMPONENTS ARE USED IN THIS ASSEMBLY.
8. OTHER TESTING PERFORMED AS REQUIRED BY PRODUCT SPECIFICATION:GS-12-216.
9. CABLE ASSEMBLIES SHALL WITHSTAND AN AXIAL LOAD OF 171bs/75N AT A RATE OF 25.4mm PER MINUTE, DURATION OF 1 (ONE) HOUR, WITHOUT DAMAGE TO CABLE OR CONNECTOR. CABLE PRODUCT SPECIFICATION: GS-12-216  
CONNECTOR PRODUCT SPECIFICATION: GS-12-209

10. LEAD FREE PRODUCTS MEET EUROPEAN UNION DIRECTIVES AND OTHER COUNTRY REGULATIONS AS DESCRIBED IN GS-22-008.

LEAD FREE SOLDER TAIL PLATING 2um (80u") MIN. MATTE TIN OVER 1.27um (50u") MIN. NICKEL UNDERPLATE.

PACKAGING OF LEAD FREE PRODUCTS MEETS LABELING AND PACKAGING SPECIFICATION GS-14-920.

11. CONNECTOR ASSEMBLIES SHOWN ARE FOR REFERENCE ONLY AND MAY NOT SHOW ALL PART DETAIL. REFERENCE CONNECTOR ASSEMBLY DRAWINGS FOR COMPLETE DETAILS.

12. GLOBAL STANDARDS FOR CABLE PACKAGING: GS-14-1093.

13. MATERIALS:  
 CABLE: FULLY SHIELDED, 8 DIFFERENTIAL PAIRS  
 COVERS: ZINC ALLOY WITH NICKEL OVERPLATE  
 CABLE COLLARS: PLASTIC  
 PLUG ASSEMBLIES: THERMOPLASTIC AND COPPER ALLOY  
 THUMBSCREWS: STAINLESS STEEL  
 PCB BOARD: FR4 FIBERGLASS



	title 4X EYEMAX W/THUMBSCREWS CABLE ASSEMBLY (INFINIBAND™)	dwg no 10018960	Rev. F
	catalog no -	CUSTOMER	sheet 3 of 3



Copyright FCI.