



Chipsmall Limited consists of a professional team with an average of over 10 year of expertise in the distribution of electronic components. Based in Hongkong, we have already established firm and mutual-benefit business relationships with customers from,Europe,America and south Asia,supplying obsolete and hard-to-find components to meet their specific needs.

With the principle of "Quality Parts,Customers Priority,Honest Operation,and Considerate Service",our business mainly focus on the distribution of electronic components. Line cards we deal with include Microchip,ALPS,ROHM,Xilinx,Pulse,ON,Everlight and Freescale. Main products comprise IC,Modules,Potentiometer,IC Socket,Relay,Connector.Our parts cover such applications as commercial,industrial, and automotives areas.

We are looking forward to setting up business relationship with you and hope to provide you with the best service and solution. Let us make a better world for our industry!



## Contact us

Tel: +86-755-8981 8866 Fax: +86-755-8427 6832

Email & Skype: info@chipsmall.com Web: www.chipsmall.com

Address: A1208, Overseas Decoration Building, #122 Zhenhua RD., Futian, Shenzhen, China



1

2

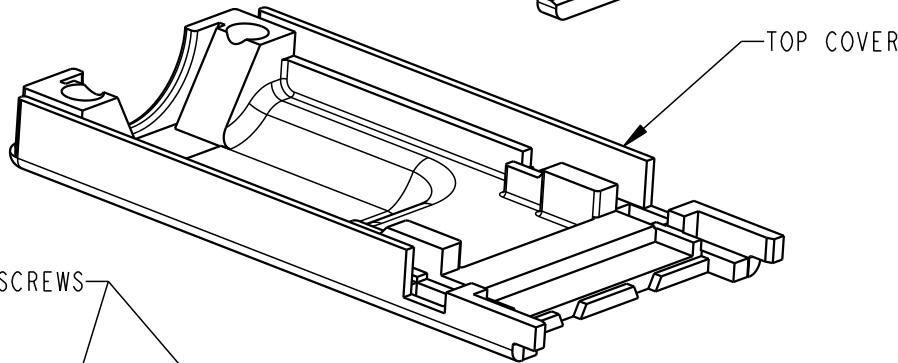
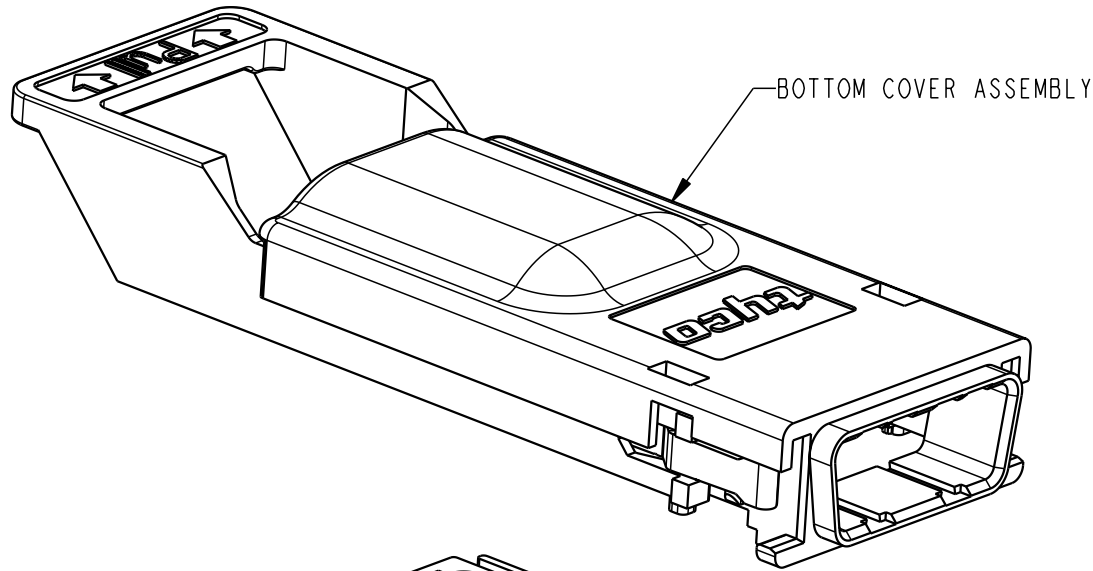
3

4

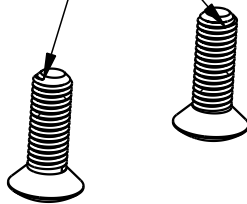
PRODUCT NUMBER

10019362-001

Tous droits strictement reserves. Reproduction ou communication a des tiers interdite sous quelque forme que ce soit sans autorisation écrite du propriétaire. Propriete de c FCI. Droits de reproduction FCI.



M2.5 OVAL HEAD SCREWS



NOTES:

1. MATERIALS:

DIE CAST SHELLS: ZINC WITH Ni PLATING & COPPER UNDER PLATING.

PULL TAB: THERMOPLASTIC

LATCH: STAINLESS STEEL

SCREWS: STAINLESS STEEL (M2.5 x 0.45)



All rights strictly reserved. Reproduction or issue to third parties in any form whatever is not permitted without written authority from the proprietor. Property of FCI. Copyright FCI.

		rev	ecn no	dr	date
		A	V03-0251	GIP	04/01/03
TOLERANCES UNLESS OTHERWISE SPECIFIED		-	-	-	-
LINEAR	0.X	±.3	-	-	-
	0.XX	±.10	-	-	-
	0.XXX	±.050	-	-	-
ANGULAR	0°	±2°	-	-	-

<b>A</b> FCI		www.fciconnect.com		surface <input checked="" type="checkbox"/> ASME Y14.5	tolerance -	projection	mm
Dr	G.PETERS	04/01/03	Product family EyeMax (TM)		size A4	Scale 1:1	
Eng	D.BRANN	04/01/03	Spec ref -		ECN	V03-0251	
Chr	G.PETERS	04/01/03	Material		SEE NOTES		
Appr	D.BRANN	04/01/03					
title				4X COVER ASSEMBLY KIT		Rev. A	
				KIT, FOR TYCO		A	
catalog no				-		CUSTOMER sheet 1 of 1	