



Chipsmall Limited consists of a professional team with an average of over 10 year of expertise in the distribution of electronic components. Based in Hongkong, we have already established firm and mutual-benefit business relationships with customers from,Europe,America and south Asia,supplying obsolete and hard-to-find components to meet their specific needs.

With the principle of "Quality Parts,Customers Priority,Honest Operation,and Considerate Service",our business mainly focus on the distribution of electronic components. Line cards we deal with include Microchip,ALPS,ROHM,Xilinx,Pulse,ON,Everlight and Freescale. Main products comprise IC,Modules,Potentiometer,IC Socket,Relay,Connector.Our parts cover such applications as commercial,industrial, and automotives areas.

We are looking forward to setting up business relationship with you and hope to provide you with the best service and solution. Let us make a better world for our industry!



Contact us

Tel: +86-755-8981 8866 Fax: +86-755-8427 6832

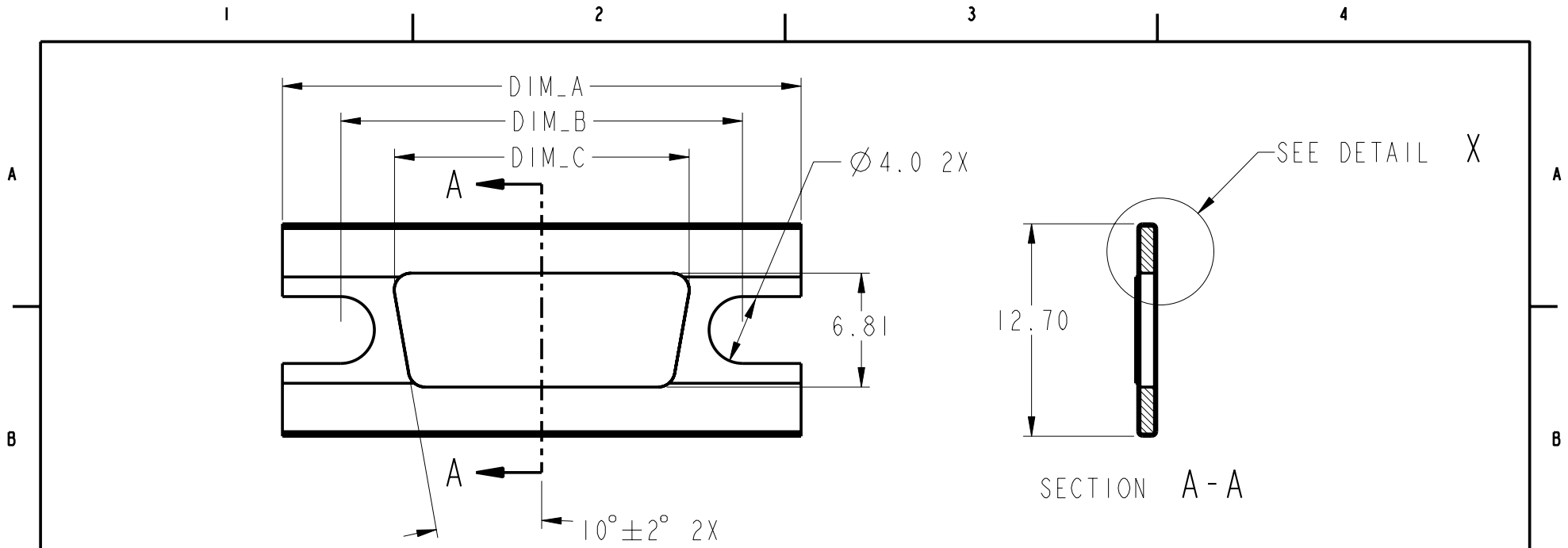
Email & Skype: info@chipsmall.com Web: www.chipsmall.com

Address: A1208, Overseas Decoration Building, #122 Zhenhua RD., Futian, Shenzhen, China

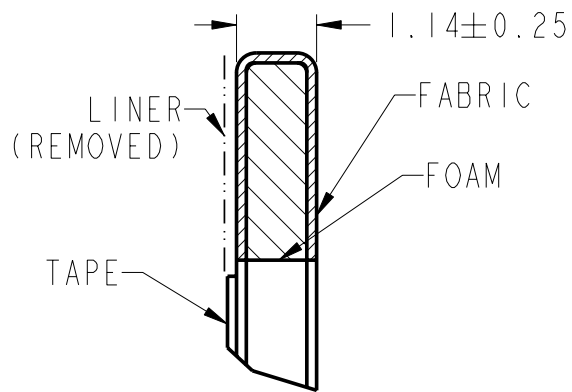




Copyright FCI.



VIEW SHOWN WITH LINER REMOVED



DETAIL X
SCALE 10:1

rev	ecn no	dr	date
A	V03-0936	GIP	2003-08-21
B	06-0412	HVN	2006-07-26
C	107-0024	HVN	2007-02-26
-	-	-	-
-	-	-	-
-	-	-	-

www.fciconnect.com		surface - ASME Y14.5	tolerance std - ASME Y14.5	projection	MM
		TOLERANCES UNLESS OTHERWISE SPECIFIED			
Dr	G.PETERS	2003-08-21	ANGULAR	0.X ±.30	size A4
Eng	D.BRANN	2003-08-21	LINEAR	0.XX ±.10	Scale 4:1
Chr	HIRAN V N	2007-02-26	0° ±2°	0.XXX ±.050	ECN 107-0024
Appr	HIRAN V N	2007-02-26	Product family EyeMax (TM)		Spec ref ---
FCI			SHIELDING GASKET		dwg no 10019396
-			-		Rev. C
catalog no			CUSTOMER		sheet 1 of 2

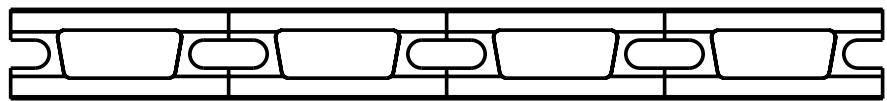
REV F - 2006-04-17

PDM: Rev:C

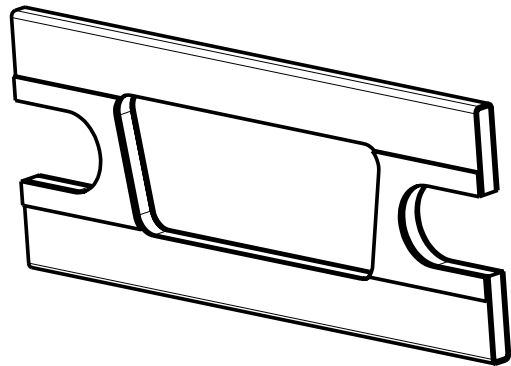
STATUS: Released

Printed: Jan 28, 2008

PRODUCT NUMBER	DIM_A	DIM_B	DIM_C
10019396-001/10019396-001LF	31.0	24.0	17.60
10019396-004/10019396-004LF	55.0	48.0	41.60



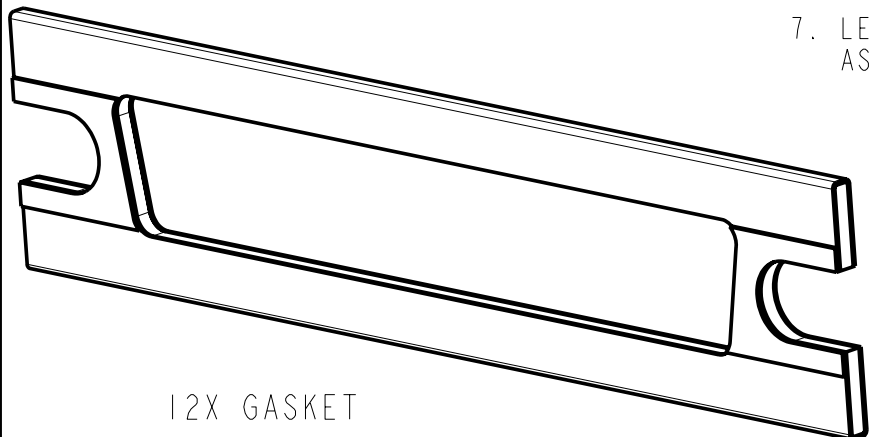
4X PIECES, SEE NOTE 4.



4X GASKET

NOTES:

1. MATERIAL: CONDUCTIVE FOAM
2. ADHESIVE TAPE ON ONE SIDE
3. ALL TOLERANCES ARE ± 0.50 . EXCEPT MATERIAL THICKNESS.
4. PRODUCT MANUFACTURED WITH 4 PARTS PER SHEET.
5. LF SUFFIX ADDED TO THE PARTNUMBER FOR ROHS COMPLIANT VERSIONS
6. LF PRODUCTS MEET EUROPEAN UNION DIRECTIVES AND OTHER COUNTRY REGULATIONS AS DESCRIBED IN GS-12-083
7. LEAD FREE OR ROHS DIRECTIVE LABELLING TO BE PROVIDED AS PER GS-14-920 FOR LEAD FREE VERSION



12X GASKET



Copyright FCI.

www.fciconnect.com			surface - <input checked="" type="checkbox"/> ASME Y14.5	tolerance std - ASME Y14.5	projection	MM
			TOLERANCES UNLESS OTHERWISE SPECIFIED			
Dr	G.PETERS	2003-08-21	ANGULAR	LINEAR	0.X $\pm .30$	size A4 Scale 4:1
Eng	D.BRANN	2003-08-21			0.XX $\pm .10$	
Chr	HIRAN V N	2007-02-26	0° $\pm 2°$		0.XXX $\pm .050$	ECN 107-0024
Appr	HIRAN V N	2007-02-26	Product family EyeMax (TM)			Spec ref ---
			SHIELDING GASKET			dwg no 10019396
catalog no			CUSTOMER			Rev. C sheet 2 of 2

REV F - 2006-04-17