



Chipsmall Limited consists of a professional team with an average of over 10 year of expertise in the distribution of electronic components. Based in Hongkong, we have already established firm and mutual-benefit business relationships with customers from,Europe,America and south Asia,supplying obsolete and hard-to-find components to meet their specific needs.

With the principle of “Quality Parts,Customers Priority,Honest Operation,and Considerate Service”,our business mainly focus on the distribution of electronic components. Line cards we deal with include Microchip,ALPS,ROHM,Xilinx,Pulse,ON,Everlight and Freescale. Main products comprise IC,Modules,Potentiometer,IC Socket,Relay,Connector.Our parts cover such applications as commercial,industrial, and automotives areas.

We are looking forward to setting up business relationship with you and hope to provide you with the best service and solution. Let us make a better world for our industry!



Contact us

Tel: +86-755-8981 8866 Fax: +86-755-8427 6832

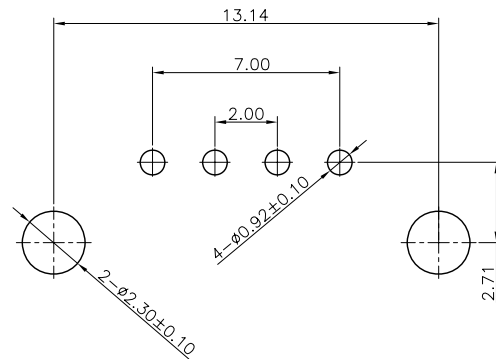
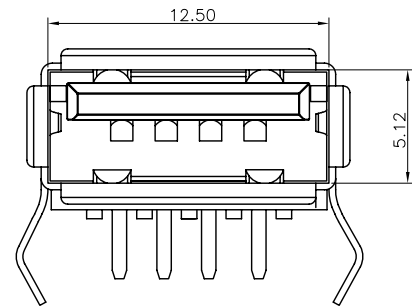
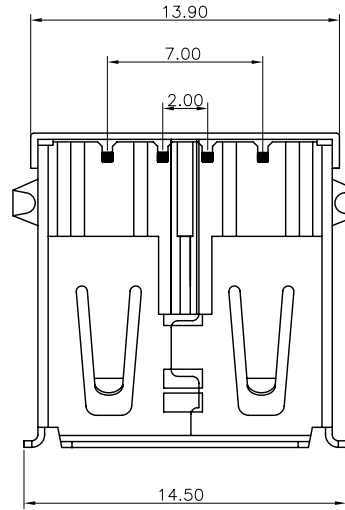
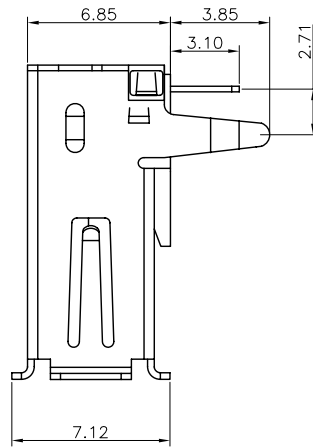
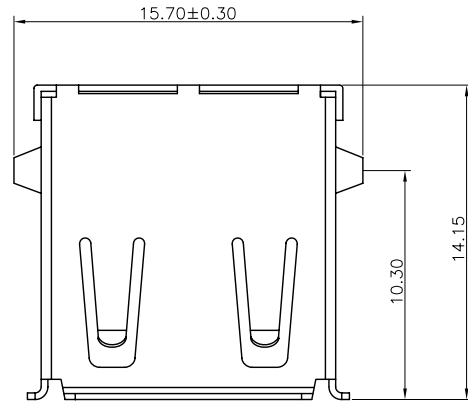
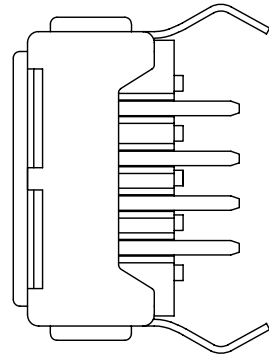
Email & Skype: info@chipsmall.com Web: www.chipsmall.com

Address: A1208, Overseas Decoration Building, #122 Zhenhua RD., Futian, Shenzhen, China



REV	ECN.NO:	B Y	DATE
A0	NEW-DWG	ING	10/04/23

NOTE:
MATERIAL:
HOUSING:PBT+30% G.F. UL 94V-0
CONTACT:PHOSPHOR BRONZE
SHELL:BRASS
PLATING:
CONTACT: GOLD FLASH AND TIN OVER NICKEL PLATED
SHELL: NICKEL PLATED OVER ALL
SPECIFICATION:
CURRENT-MAX[AMPS]:1.5A
VOLTAGE-MAX[VOLTS]:30V
WITHSTANDING VOLTAGE: 500V AC
CONTACT RESISTANCE[OHMS]:30 milliohms max
INSULATION RESISTANCE[OHMS]: 1000 MEGOHMS MIN
ENVIRONMENTAL
TEMPERATURE RANGE -55°C~+85°C



-TOLERANCES- UNLESS OTHERWISE SPECIFIED		CnC Tech,LLC						
				TITLE: USB 4P A/F DIP 90° 30U 銅殼成品				
X.X ±0.38	X.X° ±3.0°	APPD:		PRODUCT NO: 1002-001-01000				
X.XX ±0.25	X.XX° ±1.0°	CHECK:		DATE	SCALE	UNIT	TYPE	PAGE
X.XXX ±0.13	X.XXX° ±0.5°	DRAW:		2010.04.23	FREE	MM	Z	1