



Chipsmall Limited consists of a professional team with an average of over 10 year of expertise in the distribution of electronic components. Based in Hongkong, we have already established firm and mutual-benefit business relationships with customers from,Europe,America and south Asia,supplying obsolete and hard-to-find components to meet their specific needs.

With the principle of "Quality Parts,Customers Priority,Honest Operation,and Considerate Service",our business mainly focus on the distribution of electronic components. Line cards we deal with include Microchip,ALPS,ROHM,Xilinx,Pulse,ON,Everlight and Freescale. Main products comprise IC,Modules,Potentiometer,IC Socket,Relay,Connector.Our parts cover such applications as commercial,industrial, and automotives areas.

We are looking forward to setting up business relationship with you and hope to provide you with the best service and solution. Let us make a better world for our industry!



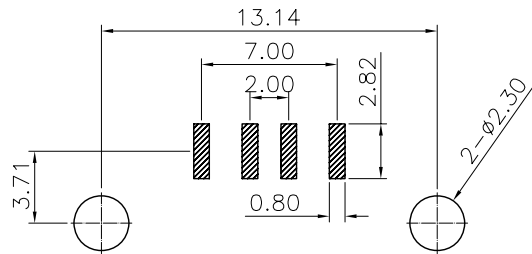
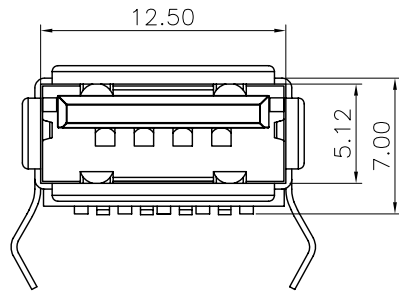
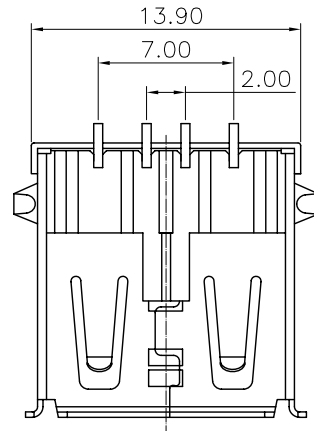
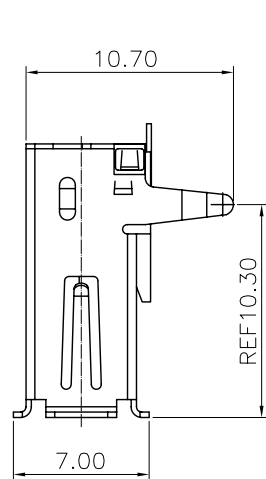
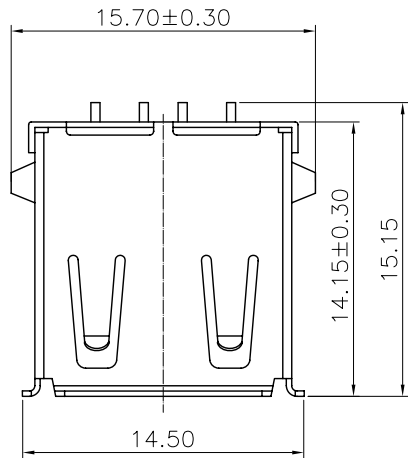
Contact us

Tel: +86-755-8981 8866 Fax: +86-755-8427 6832

Email & Skype: info@chipsmall.com Web: www.chipsmall.com

Address: A1208, Overseas Decoration Building, #122 Zhenhua RD., Futian, Shenzhen, China





RECOMMENDED P. C. B. PATTERN LAYOUT

- 1.MATERIAL:
CONTACTS:PHOSPHOR BRONZE
INSULATOR:LCP+30% G.F. UL 94V-0
SHELL:BRASS
- 2.MECHANICAL:
MATING:35N MAX.
WITHDRAWAL FORCE:10N MIN
DURABILITY:1500 CYCLES MIN
- 3.ELECTRICAL:
CURRENT-MAX[AMPS] 1.5A
VOLTAGE-MAX[VOLTS] 30V
WITHSTANDING VOLTAGE 500V AC
CONTACT RESISTANCE[OHMS] 30milliohms max
INSULATION RESISTANCE [OHMS] 1000 MEGOHMS MIN
- 4.PLATING:
CONTACTS: GOLD FLASH AND TIN OVER NICKEL PLATED
SHELL:NICKEL OVER ALL PLATING
- 5.ENVIRONMENTAL
TEMPERATURE RANGE:-55°C+50°C

09/12/17	ING		NEW DWG			A1
DATE	DR.BY	ECN.NO.	DESCRIPTION		MARK	VER.
-TOLERANCES- UNLESS OTHERWISE SPECIFIED 公差參考表			CnC Tech,LLC			
					TITLE: USB 4P A/F SMT 5U"成品	
X.X	±0.38	X.X°	±2°	APPD:	PRODUCT NO: 1002-002-01100	
X.XX	±0.25	X.XX°	±1°	CHECK:	DATE	SCALE UNIT TYPE PAGE
X.XXX	±0.13	X.XXX°	±0.5°	DRAW:	2009.12.17	1:1 mm Z 1/1