



Chipsmall Limited consists of a professional team with an average of over 10 year of expertise in the distribution of electronic components. Based in Hongkong, we have already established firm and mutual-benefit business relationships with customers from,Europe,America and south Asia,supplying obsolete and hard-to-find components to meet their specific needs.

With the principle of “Quality Parts,Customers Priority,Honest Operation,and Considerate Service”,our business mainly focus on the distribution of electronic components. Line cards we deal with include Microchip,ALPS,ROHM,Xilinx,Pulse,ON,Everlight and Freescale. Main products comprise IC,Modules,Potentiometer,IC Socket,Relay,Connector.Our parts cover such applications as commercial,industrial, and automotives areas.

We are looking forward to setting up business relationship with you and hope to provide you with the best service and solution. Let us make a better world for our industry!



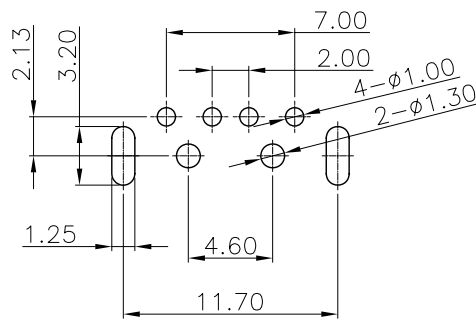
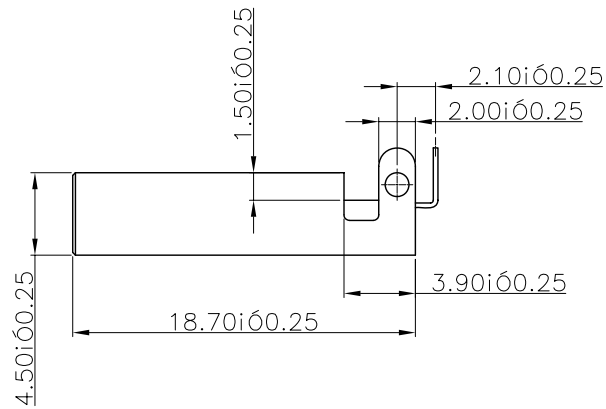
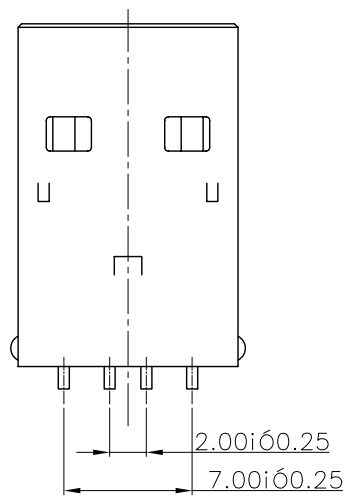
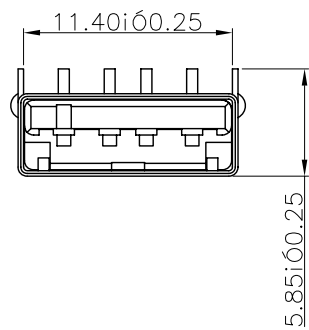
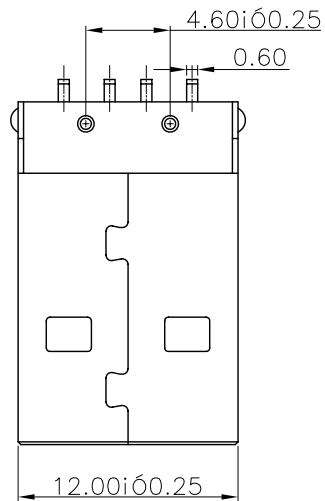
## Contact us

Tel: +86-755-8981 8866 Fax: +86-755-8427 6832

Email & Skype: info@chipsmall.com Web: www.chipsmall.com

Address: A1208, Overseas Decoration Building, #122 Zhenhua RD., Futian, Shenzhen, China





RECOMMENDED P.C.B. PATTERN LAYOUT

NOTE:  
 MATERIAL:  
 HOUSING:PBT+30% G.F. UL 94V-0  
 CONTACT:BRASS  
 SHELL:SPCC  
 PLATING:  
 CONTACT: GOLD FLASH AND TIN OVER NICKEL PLATED  
 SHELL: NICKEL PLATED OVER ALL  
 SPECIFICATION:  
 CURRENT-MAX[AMPS]:1.5A  
 VOLTAGE-MAX[VOLTS]:30V  
 WITHSTANDING VOLTAGE: 500V AC  
 CONTACT RESISTANCE[OHMS]:30 milliohms max  
 INSULATION RESISTANCE[OHMS]: 1000 MEGOHMS MIN  
 ENVIRONMENTAL  
 TEMPERATURE RANGE -55°C~+85°C  
 PART NO.:

09/03/20	SYSTEM		NEW DWG			AO			
DATE	DR.BY	ECN.NO.	DESCRIPTION		MARK	VER.			
-TOLERANCES- UNLESS OTHERWISE SPECIFIED 公差參考表			 TITLE: USB 4P A/M DIP90°成品						
X.X	±0.30	X.X°					±3.00°	APPD:	PRODUCT NO: 1002-015-01001
X.XX	±0.15	X.XX°	±1.00°	CHECK:	DATE	SCALE	UNIT	TYPE	PAGE
X.XXX	±0.100	X.XXX°	±0.500°	DRAW:	2009.03.20	1:1	mm	CD	1/1