



Chipsmall Limited consists of a professional team with an average of over 10 year of expertise in the distribution of electronic components. Based in Hongkong, we have already established firm and mutual-benefit business relationships with customers from,Europe,America and south Asia,supplying obsolete and hard-to-find components to meet their specific needs.

With the principle of “Quality Parts,Customers Priority,Honest Operation,and Considerate Service”,our business mainly focus on the distribution of electronic components. Line cards we deal with include Microchip,ALPS,ROHM,Xilinx,Pulse,ON,Everlight and Freescale. Main products comprise IC,Modules,Potentiometer,IC Socket,Relay,Connector.Our parts cover such applications as commercial,industrial, and automotives areas.

We are looking forward to setting up business relationship with you and hope to provide you with the best service and solution. Let us make a better world for our industry!



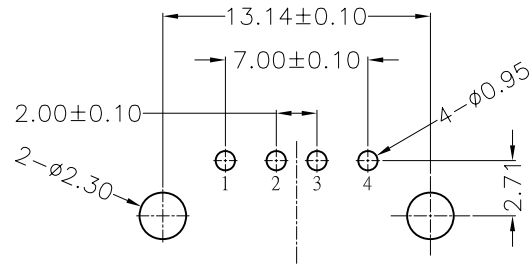
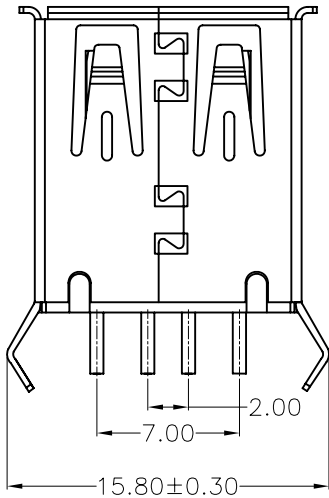
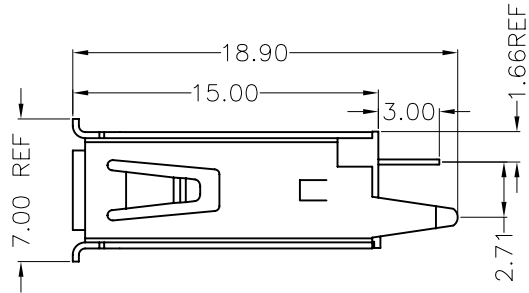
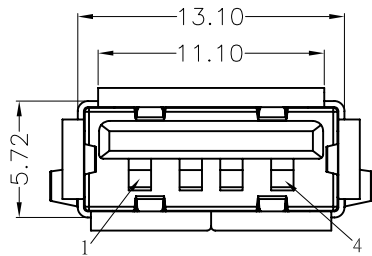
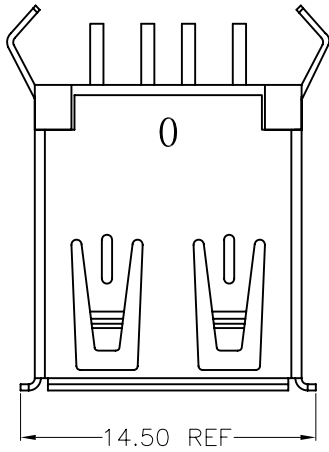
## Contact us

Tel: +86-755-8981 8866 Fax: +86-755-8427 6832

Email & Skype: info@chipsmall.com Web: www.chipsmall.com

Address: A1208, Overseas Decoration Building, #122 Zhenhua RD., Futian, Shenzhen, China





RECOMMENDED P. C. B. PATTERN LAYOUT

NOTE:

- 1 MATERIAL:
  - CONTACTS: BRASS
  - INSULATOR: PBT+G.F UL 94V-0 BK
  - SHELL : BRASS
  - BACK CUP: PBT+G.F UL 94V-0 BK
- 2.MECHANICAL:
  - 35N MAX.
  - WITHDRAWAL FORCE:10N MIN.
  - DURABILITY:1500 CYCLES MIN.
- 3.ELECTRICAL:
  - CURRENT-MAX[AMPS] 1.5A
  - VOLTAGE-MAX[VOLTS] 30V
  - WITHSTANDING VOLTAGE 500V AC
  - CONTACT RESISTANCE [OHMS] 30 MILLIOHMS MAX
  - INSULATION RESISTANCE [OHMS] 1000 MEGOHMS MIN
- 4.PLATING:
  - SEE TABLE NICKEL OVER ALL PLATING
- 5.ENVIRONMENTAL
  - TEMPERATURE RANGE -55°C~+85°C

-TOLERANCES- UNLESS OTHERWISE SPECIFIED				CnC Tech . LLC					
				TITLE: USB 4P A/F DIP 180 30U"					
X.X	±0.38	X.X°	±3.00°	APPD:	PRODUCT NO: 1002-021-01000				
X.XX	±0.25	X.XX°	±1.00°	CHECK:	DATE	SCALE	UNIT	TYPE	PAGE
X.XXX	±0.13	X.XXX°	±0.500°	DRAW:	2010.06.17	1:1	mm	Z	1 / 1