



Chipsmall Limited consists of a professional team with an average of over 10 year of expertise in the distribution of electronic components. Based in Hongkong, we have already established firm and mutual-benefit business relationships with customers from,Europe,America and south Asia,supplying obsolete and hard-to-find components to meet their specific needs.

With the principle of "Quality Parts,Customers Priority,Honest Operation,and Considerate Service",our business mainly focus on the distribution of electronic components. Line cards we deal with include Microchip,ALPS,ROHM,Xilinx,Pulse,ON,Everlight and Freescale. Main products comprise IC,Modules,Potentiometer,IC Socket,Relay,Connector.Our parts cover such applications as commercial,industrial, and automotives areas.

We are looking forward to setting up business relationship with you and hope to provide you with the best service and solution. Let us make a better world for our industry!



Contact us

Tel: +86-755-8981 8866 Fax: +86-755-8427 6832

Email & Skype: info@chipsmall.com Web: www.chipsmall.com

Address: A1208, Overseas Decoration Building, #122 Zhenhua RD., Futian, Shenzhen, China



Tous droits strictement réservés. Reproduction ou communication à des tiers interdite sous quelque forme que ce soit sans autorisation écrite du propriétaire. Propriété de FCI. Droits de reproduction FCI.

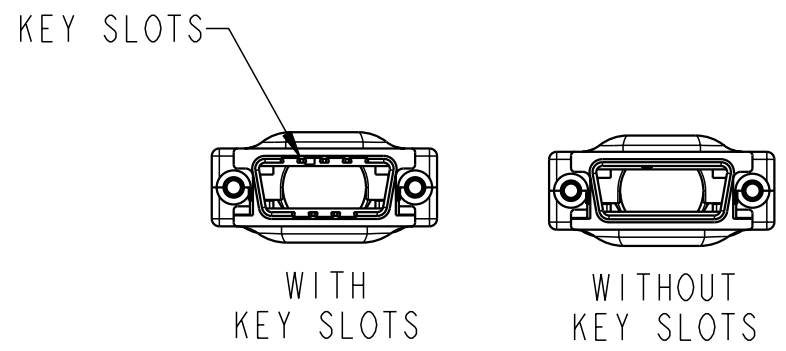
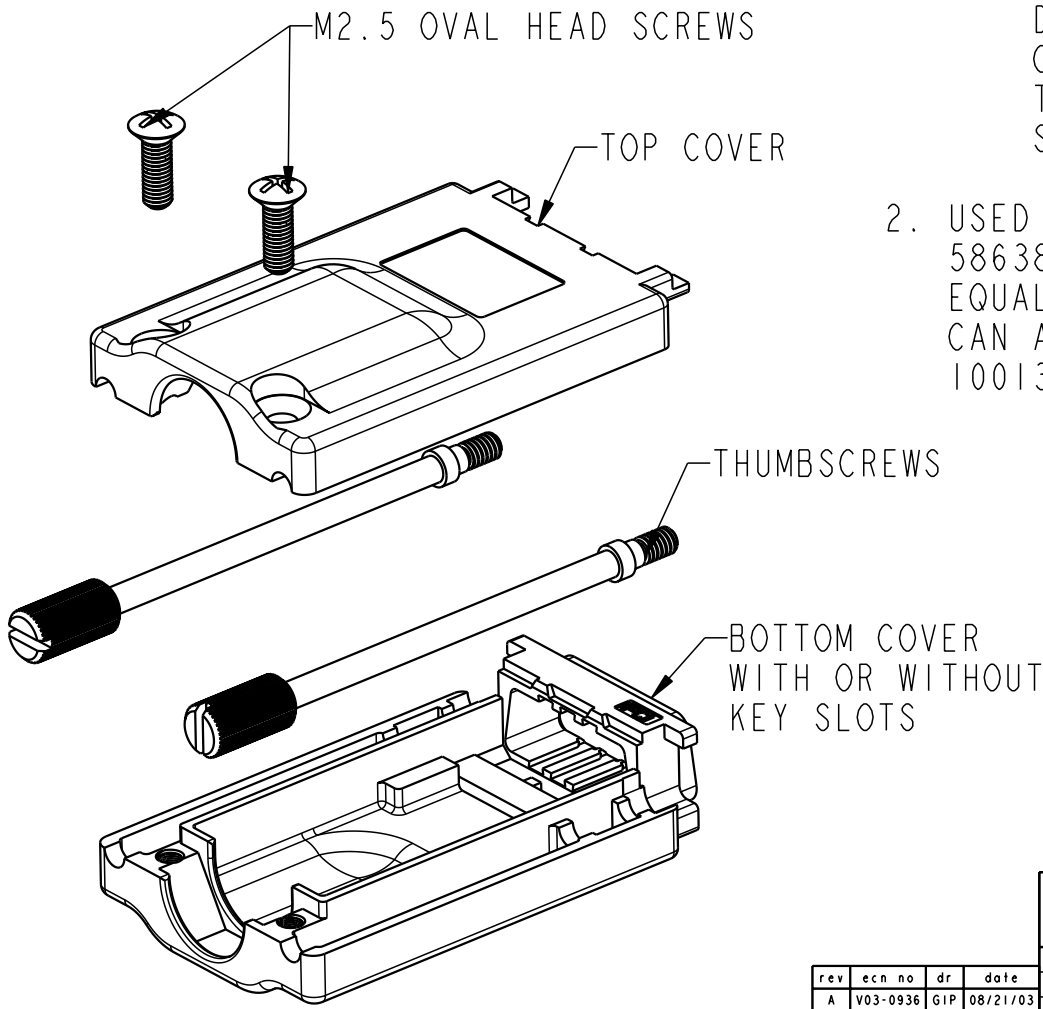


All rights strictly reserved. Reproduction or issue to third parties in any form whatever is not permitted without written authority from the proprietor. Property of FCI. Copyright FCI.

PRODUCT NUMBER	DESCRIPTION
10021736-002	COVER ASSEMBLY KIT WITH KEY SLOTS
10021736-012	COVER ASSEMBLY KIT WITHOUT KEY SLOTS

NOTES:

- MATERIALS:
 DIE CAST SHELLS: ZINC WITH Ni PLATING OVER COPPER UNDER PLATING.
 THUMBSCREWS: STAINLESS STEEL
 SCREWS: STAINLESS STEEL
- USED WITH EYEMAX® PLUG 58443 (WITHOUT PCB), 58638 (WITH UNEQUALIZED PCB) OR 10026692 (WITH EQUALIZED PCB). COVER ASSEMBLY AND CONNECTOR CAN ALSO BE PURCHASED TOGETHER IN KIT 10013923.



TOLERANCES UNLESS OTHERWISE SPECIFIED		rev	ecn no	dr	date
LINEAR	0.X ±.3	A	V03-0936	GIP	08/21/03
	0.XX ±.10	B	V03-1084	DAI	11/14/03
	0.XXX ±.050	C	V04-0484	DAI	06/16/04
ANGULAR	0° ±2°	D	V05-0505	LP	6/2/05

FCI		www.fciconnect.com		surface 3.2 ASME Y14.5	tolerance ASME Y14.5	projection ASME Y14.5	MM
Dr	G.PETERS	08/21/03	Product family EyeMax (TM)		size	A4	Scale
Eng	D.BRANN	08/21/03	Spec ref		-	-	3:2
Chr	D.BRANN	08/21/03	Material	SEE NOTES	ECN	V05-0505	
Appr	D.BRANN	08/21/03					
title			4X COVER ASSEMBLY KIT		dwg no	10021736	Rev.
			f/THUMBSCREW STYLE EYEMAX(tm)				D
catalog no					CUSTOMER		sheet 1 of 1