



Chipsmall Limited consists of a professional team with an average of over 10 year of expertise in the distribution of electronic components. Based in Hongkong, we have already established firm and mutual-benefit business relationships with customers from,Europe,America and south Asia,supplying obsolete and hard-to-find components to meet their specific needs.

With the principle of “Quality Parts,Customers Priority,Honest Operation,and Considerate Service”,our business mainly focus on the distribution of electronic components. Line cards we deal with include Microchip,ALPS,ROHM,Xilinx,Pulse,ON,Everlight and Freescale. Main products comprise IC,Modules,Potentiometer,IC Socket,Relay,Connector.Our parts cover such applications as commercial,industrial, and automotives areas.

We are looking forward to setting up business relationship with you and hope to provide you with the best service and solution. Let us make a better world for our industry!



Contact us

Tel: +86-755-8981 8866 Fax: +86-755-8427 6832

Email & Skype: info@chipsmall.com Web: www.chipsmall.com

Address: A1208, Overseas Decoration Building, #122 Zhenhua RD., Futian, Shenzhen, China

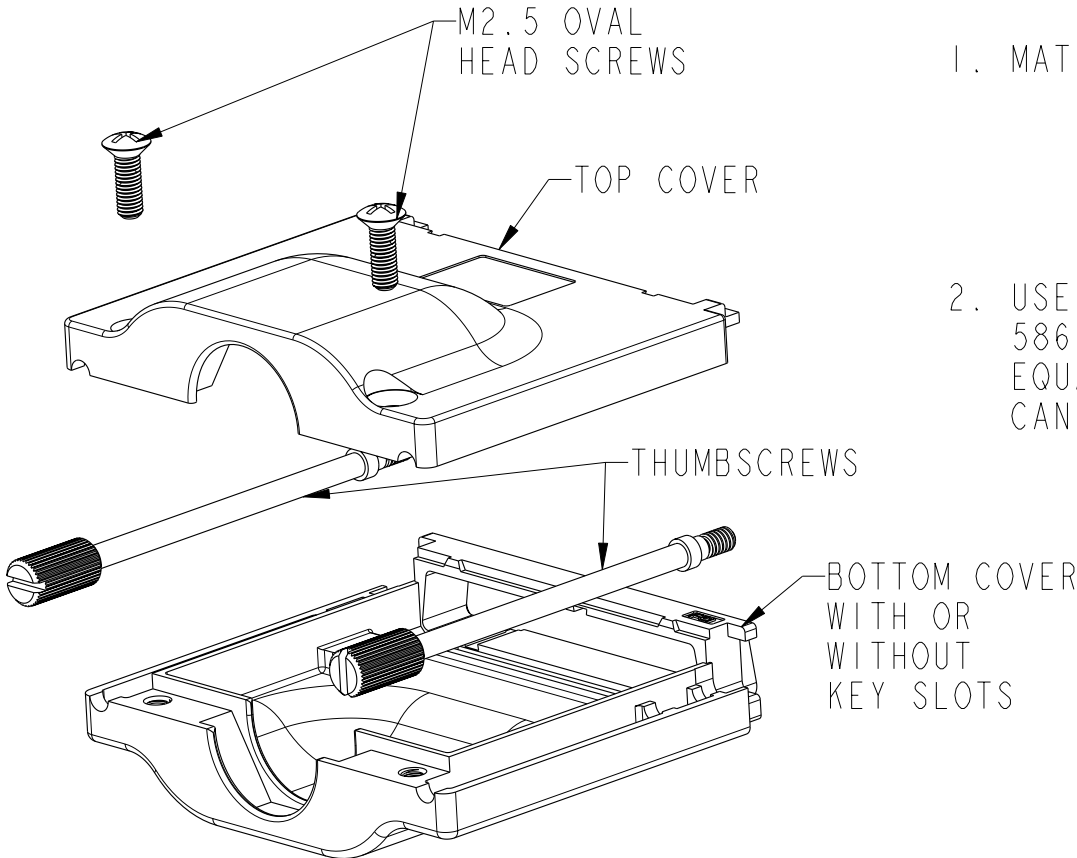


FCI CONFIDENTIAL



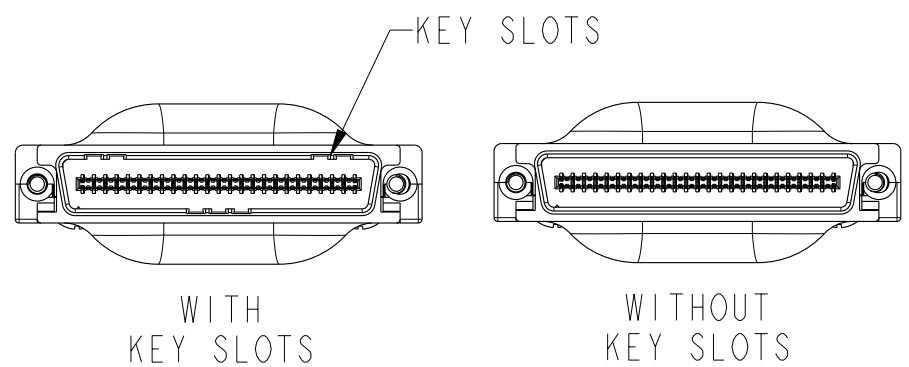
This document is the property of and embodies CONFIDENTIAL and PROPRIETARY information of FCI. No part of the information shown on this document may be used in any way or disclosed to others without the written consent of FCI. Copyright FCI.

PRODUCT NUMBER	DESCRIPTION
10021737-002	COVER ASSEMBLY KIT WITH KEY SLOTS
10021737-012	COVER ASSEMBLY KIT WITHOUT KEY SLOTS



NOTES:

- MATERIAL:
DIE CAST SHELLS: ZINC WITH Ni PLATING OVER COPPER UNDER PLATING.
THUMBSCREWS: STAINLESS STEEL
SCREWS: STAINLESS STEEL
- USED WITH EYEMAX[®] PLUG 58443 (WITHOUT PCB), 58638 (WITH UNEQUALIZED PCB) OR 10026694 (WITH EQUALIZED PCB). COVER ASSEMBLY AND CONNECTOR CAN ALSO BE PURCHASED TOGETHER IN KIT 10014004.



TOLERANCES UNLESS OTHERWISE SPECIFIED		rev	ecn no	dr	date
LINEAR	0.X	±0.3	D	V05-0505	LP 6/2/025
	0.XX	±0.10	E	M07-0065	MHT 2007-01-25
	0.XXX	±0.050	-	-	-
ANGULAR	0°	±2°	-	-	-

Material	-	Spec ref	-
Mat code	-	surface	-
Heattreat	-	tolerance	ASME Y14.5
Plating/Finish	-	projection	MM
Dr	G.PETERS	08/21/03	size A4
Eng	D.BRANN	08/21/03	Scale 13:10
Chr	D.BRANN	08/21/03	Product family EyeMax (TM)
Appr	D.BRANN	08/21/03	Model Name 10021737-EXP
			Model Revision E
			REL Level Released
FCI logo	12X COVER ASSEMBLY KIT		dwg no 10021737
	f/ THUMBSCREW STYLE EYEMAX(tm)		Rev. E
Pro/E file	catalog no	-	CUSTOMER
			sheet 1 of 1

REV F: 2006-04-17