



Chipsmall Limited consists of a professional team with an average of over 10 year of expertise in the distribution of electronic components. Based in Hongkong, we have already established firm and mutual-benefit business relationships with customers from,Europe,America and south Asia,supplying obsolete and hard-to-find components to meet their specific needs.

With the principle of “Quality Parts,Customers Priority,Honest Operation,and Considerate Service”,our business mainly focus on the distribution of electronic components. Line cards we deal with include Microchip,ALPS,ROHM,Xilinx,Pulse,ON,Everlight and Freescale. Main products comprise IC,Modules,Potentiometer,IC Socket,Relay,Connector.Our parts cover such applications as commercial,industrial, and automotives areas.

We are looking forward to setting up business relationship with you and hope to provide you with the best service and solution. Let us make a better world for our industry!



## Contact us

Tel: +86-755-8981 8866 Fax: +86-755-8427 6832

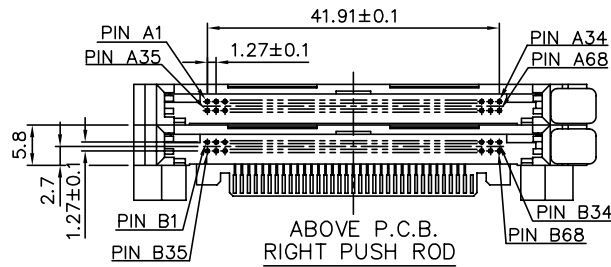
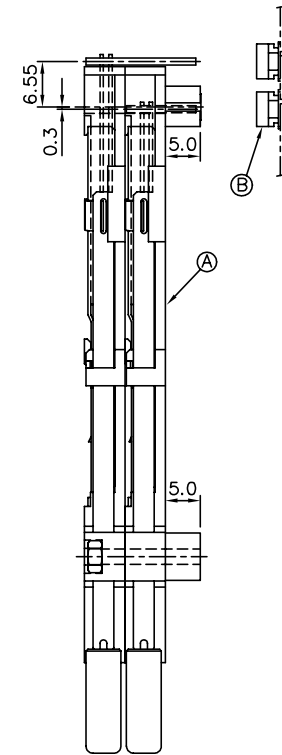
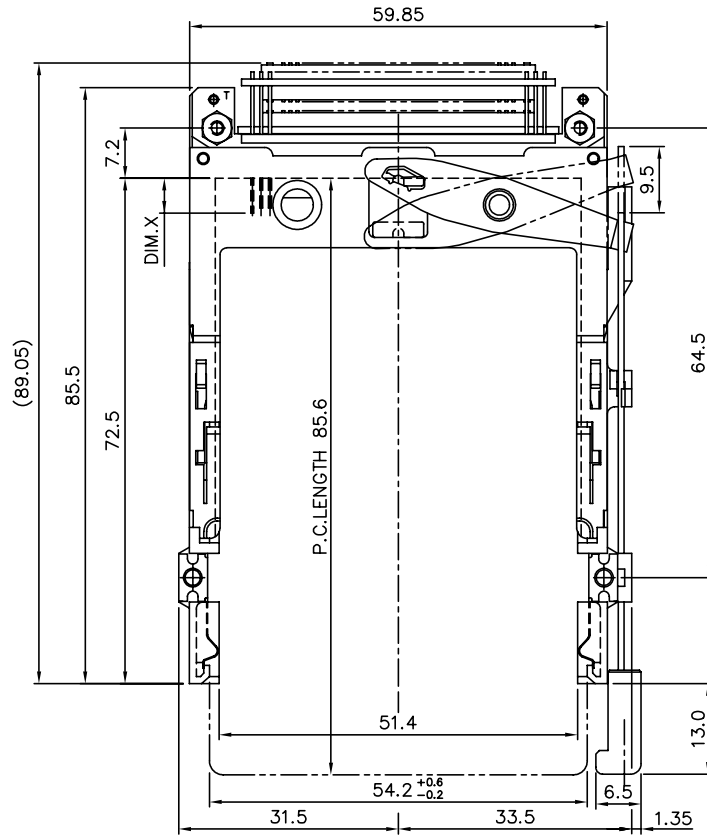
Email & Skype: info@chipsmall.com Web: www.chipsmall.com

Address: A1208, Overseas Decoration Building, #122 Zhenhua RD., Futian, Shenzhen, China





PRODUCT NO.
10022253-250CA
10022253-250CALF



mat'l. code		surface ISO1302 ✓		tolerance ISO1101 ISO406		projection ASME Y14.5		product family PCMCIA	
l'techn nodr		date		tolerances unless otherwise specified		MM		PCMCIA TRANSITION BOARD	
A	T03-0238	WL	06/20/03	±0.30		scale 1:1		3.3V, SMT TYPE 1/2/3	
B	N04-0092	WB	12/01/04					dwg no	
C	BLX-N-011450	ZK	04/10/12	0°±2'				sheet 1 of 2	
				dr		WENDY CHEN		01/27/03	
				engr		SPENCER LAI		01/27/03	
				chr		SCOTT LU		01/27/03	
				appd		JENN TSAO		01/27/03	
sheet index		revision sheet		c		c		type	
		1		2				Product Customer Drawing	



NOTES:

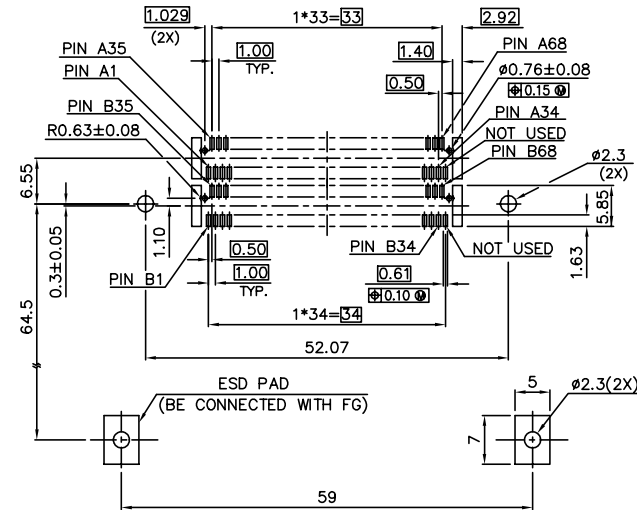
1. 8mm MIN. CARD EJECT.
2. EJECT TRAVEL: 9.5mm
3. PUSH ROD LOCATION AND P.C.B. SIDE ARE AS APPEARS INSTALLED.
4. MATERIAL
  - 4.1 HEADER ASS'Y:  
 PLASTIC :HIGH TEMPERATURE THERMOPLASTIC UL94V-0 BLACK  
 PIN :COPPER ALLOY  
 PCB : FR4
  - 4.2 EJECT MECHANISM ASS'Y:  
 PLASTIC :GUIDE:HIGH TEMPERATURE THERMOPLASTIC UL94V-0 BLACK  
 :BUTTON:HIGH TEMPERATURE THERMOPLASTIC UL94V-0 BLACK  
 PLATE AND PUSH ROD :STAINLESS  
 EMI CONTACT:PHOSPHOR BRONZE
5. FINISH (PIN)
  - UNDER PLATING :0.5µm MIN. Ni
  - CONTACT AREA :0.076µm MIN. GOLD
- SOLDER TAIL(TIN LEAD OPTION) : 2.5µm MIN. Sn-Pb
- SOLDER TAIL(LEAD FREE OPTION) : 2.5µm MIN. PURE TIN
6. IF LEAD FREE P/N. THE HOUSING WILL WITHSTAND EXPOSURE TO 260°C PEAK TEMPERATURE FOR 10 SECONDS IN A WAVE SOLDER APPLICATION WITH A 1.00MM MINIMUM THICK CIRCUIT BOARD.
7. LEAD FREE PRODUCT MEETS EUROPEAN UNION DIRECTIVES AND OTHER COUNTRY REGULATIONS AS DISCRIBLED IN GS-22-008
8. IF LEAD FREE P/N. PACKAGING MEETS GS-14-920 SPECIFICATION
9. DIM "X"

4.25±0.1	3.5±0.1	5.0±0.1
OTHERS	36,67	1,17,34,35,51,68

ORDERING INFORMATION		
NAME	PART NO.	Q'TY
(A) EJECT HEADER ASS'Y	10022253-250CA	1
(B) MATING RECEPTACLE	91931-31169	2

NAME	PART NO.	Q'TY
(A) EJECT HEADER ASS'Y	10022253-250CALF	1
(B) MATING RECEPTACLE	91931-31169LF	2

10. PRODUCT SPEC: 110-263



BOARD VIEW FROM CONNECTOR MOUNTED SIDE  
TOP OF BOARD IN APPLICATION

mat'l. code	surface ISO1302	tolerance ISO1101 ISO406	projection MM	product family PCMCIA
l t r e c n n o d r	date		tolerances unless otherwise specified	title
c	angle	±0.1	scale 1:1	PCMCIA TRANSITION BOARD 3.3V, SMT TYPE 1/2/3
	0°±2'			dwg no 10022253 sheet 2 of 2 size A4
	dr WENDY CHEN	01/27/03	FCI	type Product Customer Drawing
	engr SPENCER LAI	01/27/03		
	chr SCOTT LU	01/27/03		
	appd JENN TSAO	01/27/03		
sheet index	revision sheet			