



Chipsmall Limited consists of a professional team with an average of over 10 year of expertise in the distribution of electronic components. Based in Hongkong, we have already established firm and mutual-benefit business relationships with customers from,Europe,America and south Asia,supplying obsolete and hard-to-find components to meet their specific needs.

With the principle of “Quality Parts,Customers Priority,Honest Operation,and Considerate Service”,our business mainly focus on the distribution of electronic components. Line cards we deal with include Microchip,ALPS,ROHM,Xilinx,Pulse,ON,Everlight and Freescale. Main products comprise IC,Modules,Potentiometer,IC Socket,Relay,Connector.Our parts cover such applications as commercial,industrial, and automotives areas.

We are looking forward to setting up business relationship with you and hope to provide you with the best service and solution. Let us make a better world for our industry!



## Contact us

Tel: +86-755-8981 8866 Fax: +86-755-8427 6832

Email & Skype: info@chipsmall.com Web: www.chipsmall.com

Address: A1208, Overseas Decoration Building, #122 Zhenhua RD., Futian, Shenzhen, China



PRODUCT NO	DIM L	PLATING	RECOMMENDED P.C. BOARD THICKNESS	PRODUCT NO	PLATING
10022676-00ILF	2.70	NOTE 2	1.57mm (0.062") / 2.36mm (0.093")	10022676-001	NOTE 5
10022676-01ILF	3.70			10022676-011	

HOLE	A	REMARK
Hole Diameter after plating	0.45 - 0.55 mm	FOR -XXX & -XXXLF
Drilled hole	0.58 - 0.62 mm	
Copper plating	25 - 50 $\mu$ m	
Sn Plating	5 - 15 $\mu$ m	FOR -XXXLF ONLY
Sn-Pd Plating	5 - 15 $\mu$ m	FOR -XXX ONLY

A

B

C

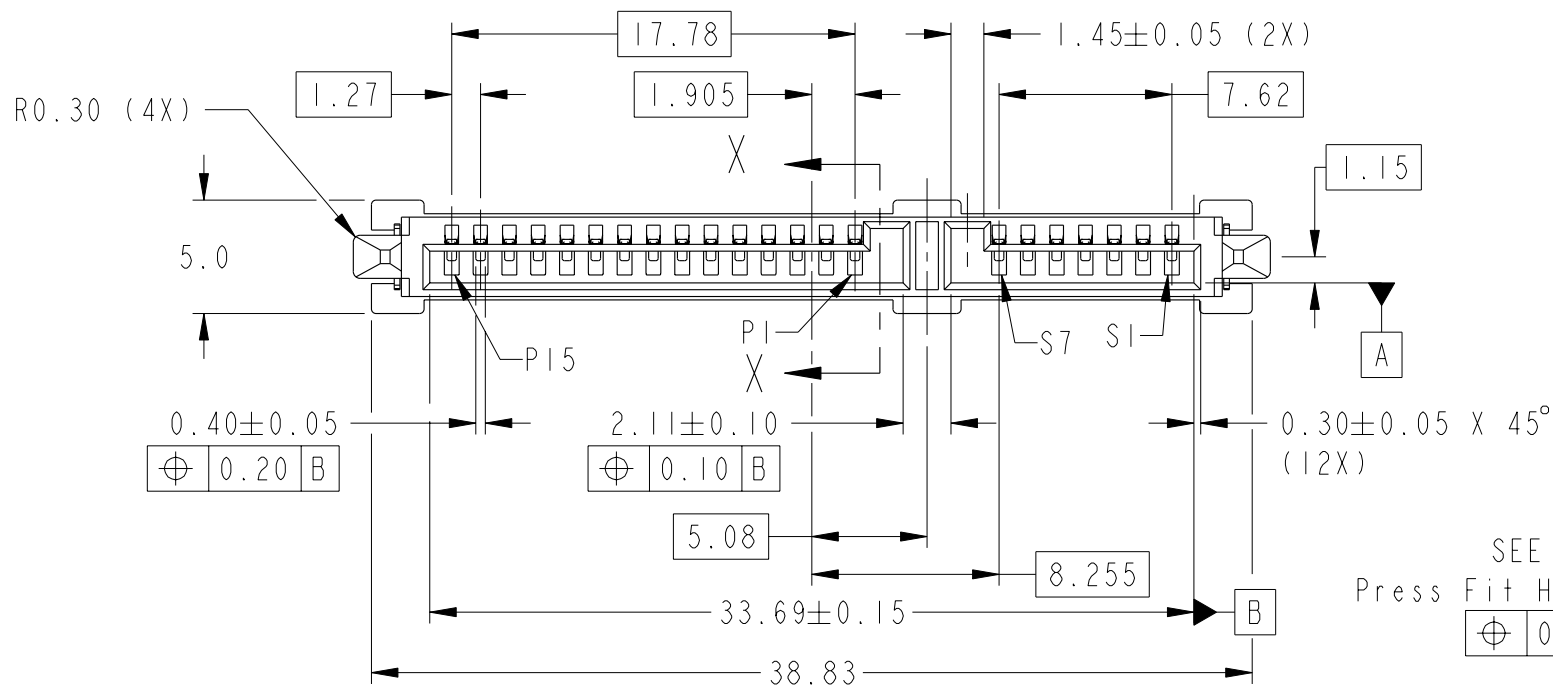
D

A

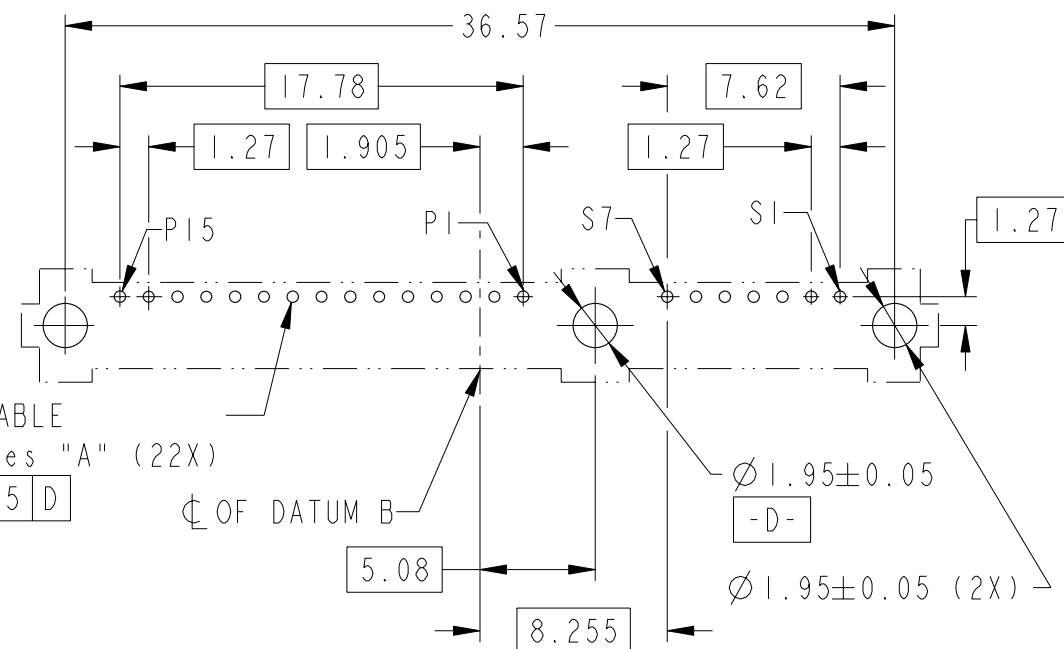
B

C

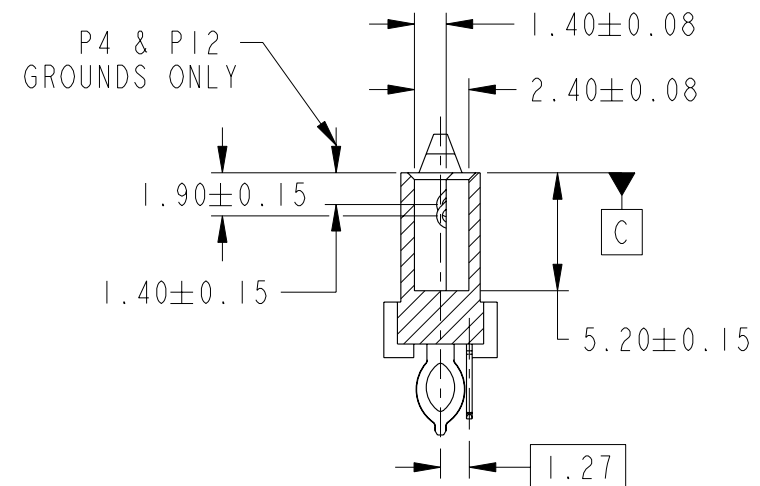
D



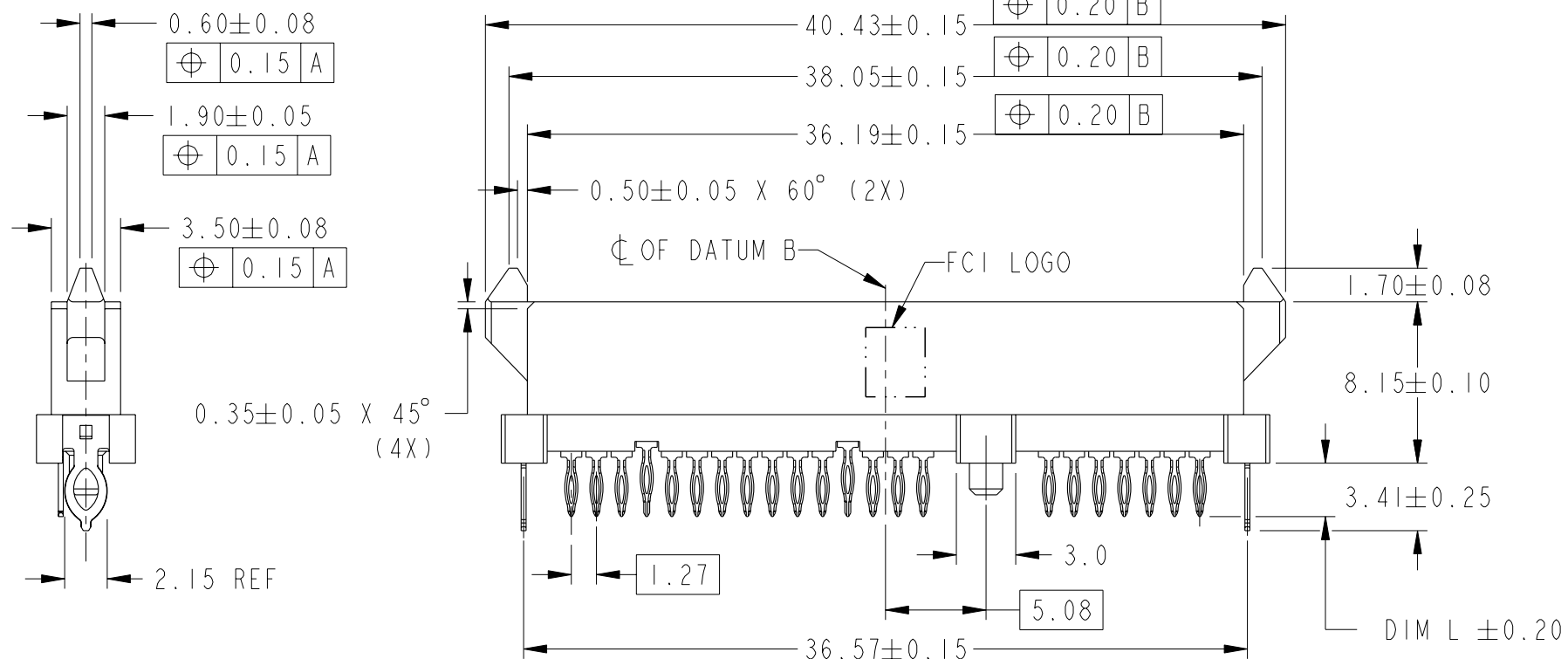
SEE TABLE  
Press Fit Holes "A" (22X)  
 $\varnothing$  0.05 D



### RECOMMENDED P.C.B. LAYOUT



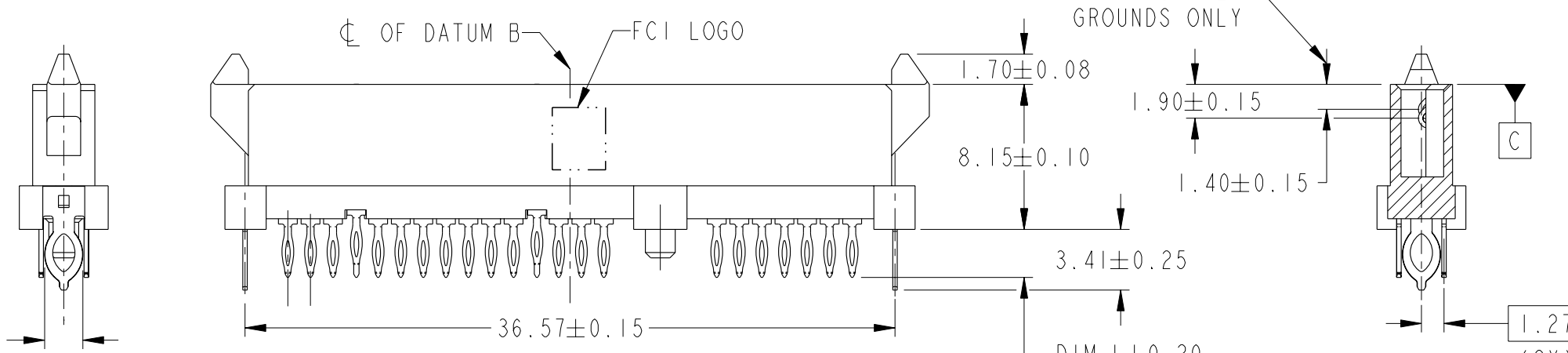
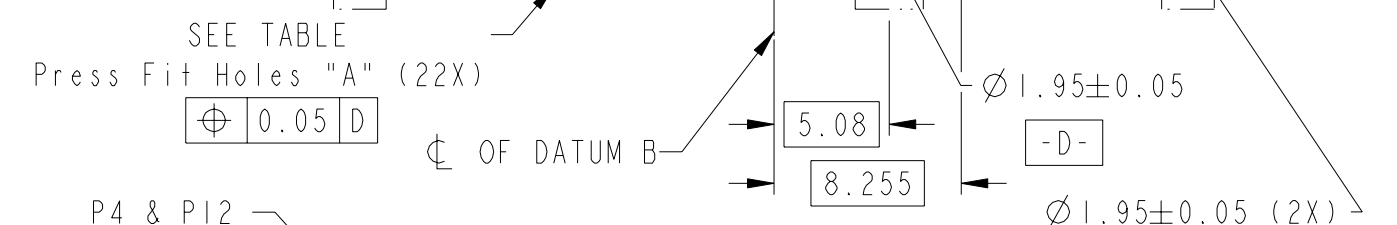
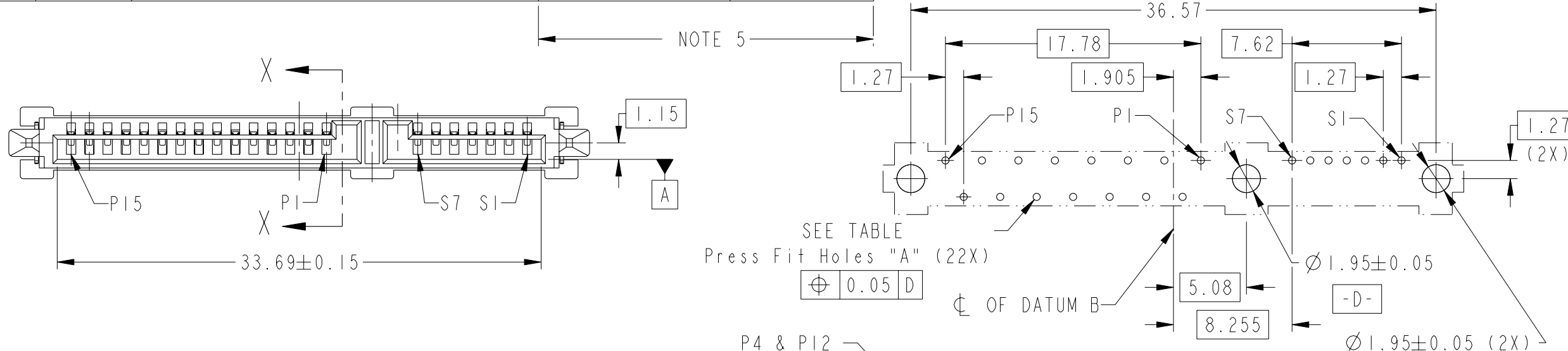
### SECTION X-X



spec ref	-	dr	GL LOO	2004-10-05	projection	MM	size	A3	scale	3:1
tolerance std	ISO 406 ISO 1101	eng	GL LOO	2004-10-05		← →	ecn no	S10-0228	rel level	-
TOLERANCES UNLESS OTHERWISE SPECIFIED		chr	GL LOO	2010-10-28						
surface	ISO 1302	appr	JOEY NG	2010-10-28	S-ATA COMB RECEP. VERTICAL PF TYPE ASSY		cat. no.	-	Product - Customer Drw	sheet 1 of 2
	linear	0.X	± -							
		0.XX	±0.20							
		0.XXX	± -							
	angular	0°	±2°							
www.fci.com		FCI		S-ATA COMB RECEP. VERTICAL PF TYPE ASSY		10022676		rev		F



PRODUCT NO	DIM L	PLATING	RECOMMENDED P.C. BOARD THICKNESS	PRODUCT NO	PLATING
10022676-002LF	2.70	NOTE 2	1.57mm (0.062") / 2.36mm (0.093")	10022676-002	NOTE 5
10022676-012LF	3.70		2.36mm (0.093")	10022676-012	



- NOTES:
- MATERIAL:
    - HOUSING : HIGH TEMP, THERMOPLASTIC, UL 94V-0  
COLOR : BLACK
    - TERMINAL : COPPER ALLOY
    - HOLD DOWN : COPPER ALLOY
  - FINISH : FOR XXXXXXXX-XXXLF
    - TERMINAL : 30μ" Au PLATING (CONTACT POINT) OVER 50μ" MIN NICKEL
    - SOLDER TAIL : 20μ" MIN-60μ" MAX TIN OVER 50μ" MIN NICKEL
    - HOLD DOWN : 50μ" MIN TIN OVER 50μ" MIN NICKEL
  - TRUE POSITION NOTES APPLY AT (L= 2.70MM) TERMINAL TIP
  - PER S-ATA SPEC REV 1.0a
  - FINISH : FOR XXXXXXXX-XXX
    - TERMINAL : 30μ" Au PLATING (CONTACT POINT) OVER 50μ" MIN NICKEL
    - SOLDER TAIL : 20μ" MIN-60μ" MAX TIN-LEAD OVER 50μ" MIN NICKEL
    - HOLD DOWN : 50μ" MIN TIN-LEAD OVER 50μ" MIN NICKEL

- THE HOUSING WILL WITHSTAND EXPOSURE TO 260°C PEAK TEMPERATURE FOR 10 SECONDS IN CONVECTION, INFRA-RED OR VAPOR PHASE REFFLOW OVEN
- THIS PRODUCT MEETS EUROPEAN UNION DIRECTIVES AND OTHER COUNTRY REGULATIONS AS DESCRIBED IN GS-22-008
- PART NUMBERS ENDING IN "LF" MEANS FOR NOTE 7 LEAD FREE IDENTIFICATION
- A  $\triangle F$  SYMBOL WILL BE NEXT TO ANY DIMENSION, VIEW, OR NOTE WHICH HAS BEEN MODIFIED WITH THE CURRENT DRAWING REVISION.
- THE STD PACKAGING IS IN TRAY.
- NOTE 7 AND 8 DO NOT APPLY TO TIN LEAD PLATING P/N XXXXXXXX-XXX IN TABLE.

Copyright FCI.



spec ref	-	dr	GL LOO	2004-10-05	projection	MM	size	A3	scale	3:1																
tolerance std	ISO 406 ISO 1101	eng	GL LOO	2004-10-05			ecn no	S10-0228	rel level	-																
TOLERANCES UNLESS OTHERWISE SPECIFIED		chr	GL LOO	2010-10-28							product family	S-ATA														
surface	<table border="1"> <tr> <td>linear</td> <td>0.X</td> <td>±</td> <td>-</td> </tr> <tr> <td></td> <td>0.XX</td> <td>±0.20</td> <td></td> </tr> <tr> <td></td> <td>0.XXX</td> <td>±</td> <td>-</td> </tr> <tr> <td>angular</td> <td>0°</td> <td>±2°</td> <td></td> </tr> </table>	linear	0.X	±	-		0.XX	±0.20			0.XXX	±	-	angular	0°	±2°		appr	JOEY NG	2010-10-28		<table border="1"> <tr> <td>dwg no</td> <td>10022676</td> <td>rev</td> <td>F</td> </tr> </table>	dwg no	10022676	rev	F
linear	0.X	±	-																							
	0.XX	±0.20																								
	0.XXX	±	-																							
angular	0°	±2°																								
dwg no	10022676	rev	F																							
ISO 1302		www.fci.com	cat. no.	-	Product - Customer Drw	sheet 2 of 2																				