



Chipsmall Limited consists of a professional team with an average of over 10 year of expertise in the distribution of electronic components. Based in Hongkong, we have already established firm and mutual-benefit business relationships with customers from,Europe,America and south Asia,supplying obsolete and hard-to-find components to meet their specific needs.

With the principle of “Quality Parts,Customers Priority,Honest Operation,and Considerate Service”,our business mainly focus on the distribution of electronic components. Line cards we deal with include Microchip,ALPS,ROHM,Xilinx,Pulse,ON,Everlight and Freescale. Main products comprise IC,Modules,Potentiometer,IC Socket,Relay,Connector.Our parts cover such applications as commercial,industrial, and automotives areas.

We are looking forward to setting up business relationship with you and hope to provide you with the best service and solution. Let us make a better world for our industry!



Contact us

Tel: +86-755-8981 8866 Fax: +86-755-8427 6832

Email & Skype: info@chipsmall.com Web: www.chipsmall.com

Address: A1208, Overseas Decoration Building, #122 Zhenhua RD., Futian, Shenzhen, China



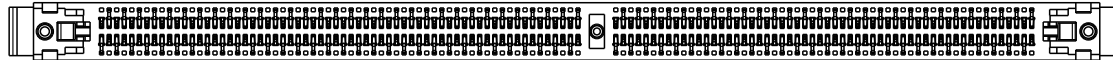
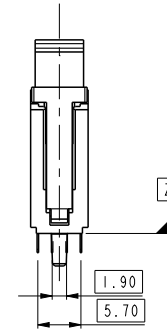
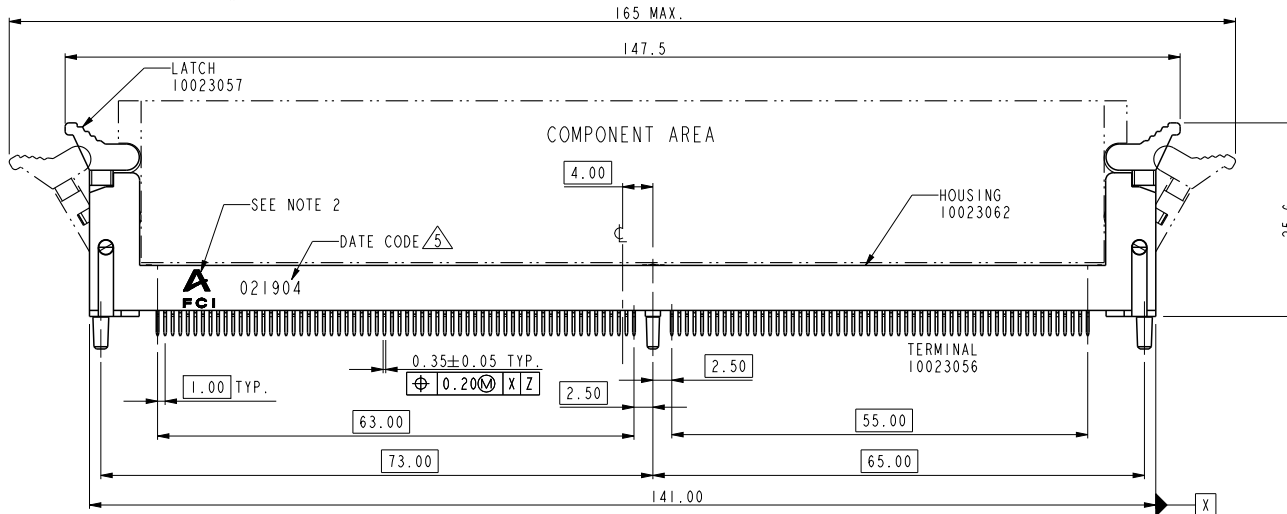
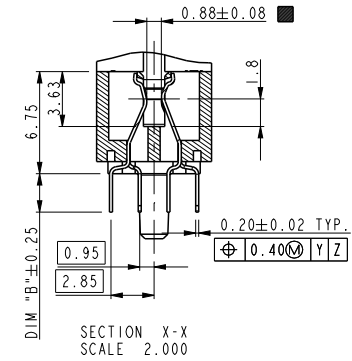
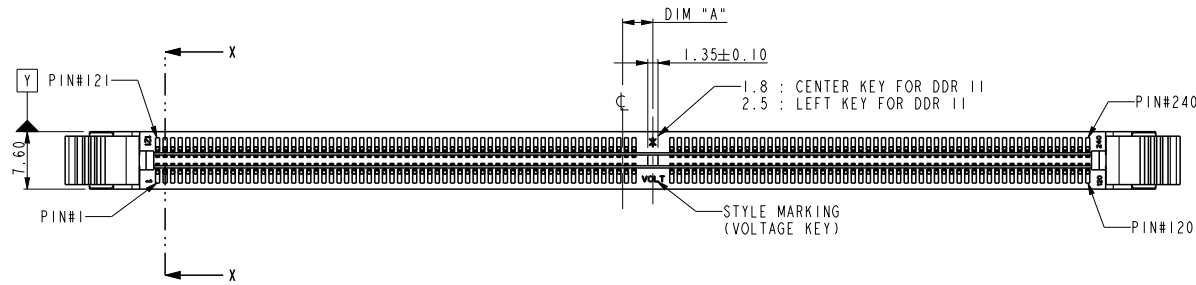
A

B

C

D

PRODUCT NO.
10023061-XXXX



PART NO.	DIM "A"	DESCRIPTION
10023061-1****	4.00	1.8V
10023061-2****	3.00	2.5V
10023061-3****	5.00	X.XV

spec ref	*	dr	Su-Hua Miao	2010/11/04	projection 	MM ←→	size	A4	scale	0.500
tolerance std	TOLERANCES UNLESS OTHERWISE SPECIFIED	eng	Marty Glass	2018/01/26			ecn no	ELX-DG-28708-1		
ISO 406 ISO 1101		chr	-	-			rel level	Released		
surface	linear	appr	Nickor Zuo	2018/01/29	product family		rev			
	0.X	±0.38	Amphenol FCI	title	DDR II 240P PLASTIC POST. ASS'Y	dwg no	10023061	P		
	0.XX	±0.25		cat. no.	*	Product - Customer Drw	sheet 1 of 4			
	0.XXX	±0.13								
	angular	0°								

A

B

C

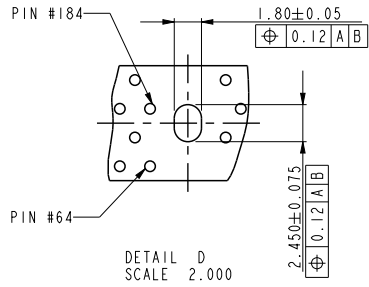
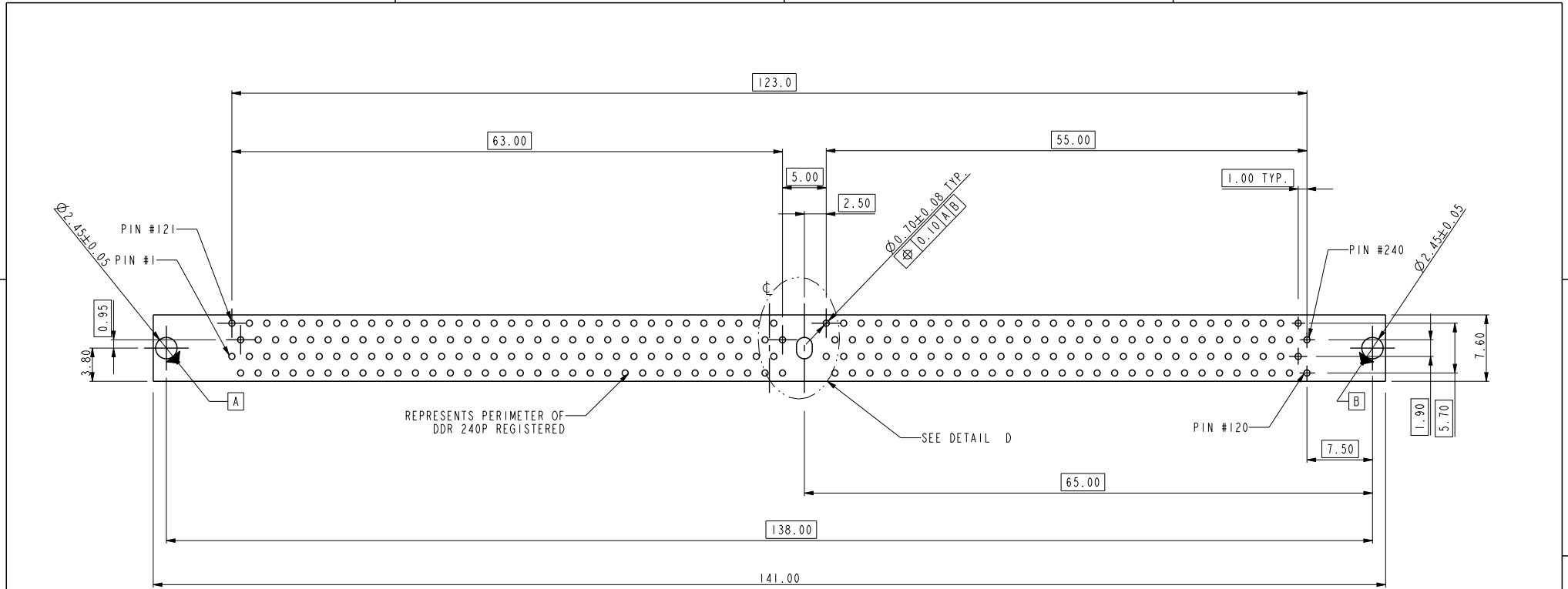
D

A

B

C

D



RECOMMENDED CIRCUIT BOARD HOLE LAYOUT

spec ref	*	dr	Su-Hua Miao	2010/11/04	projection	MM	size	A4	scale	0.500								
tolerance std	TOLERANCES UNLESS OTHERWISE SPECIFIED	eng	Marty Glass	2018/01/26			ecn no	ELX-DG-28708-1										
ISO 406		chr	-	-			rel level	Released										
ISO 1101		appr	Nickor Zuo	2018/01/29	product family													
surface	linear	Amphenol FCi			title		DDR II 240P PLASTIC POST. ASS'Y		dwg no		10023061		rev	P				
													cat. no.		Product - Customer Drw		sheet 2 of 4	
ISO 1302	angular																	
		0.X	± 0.38															
		0.XX	± 0.25															
		0.XXX	± 0.13															
		0°	$\pm 2^\circ$															

10023061 - □ □ □ □ □

STYLE : MECHANICAL KEYING

1 : 1.8 VOLT. W/ CENTER KEY#1
 2 : 2.5 VOLT. W/ LEFT KEY#1
 3 : X.X VOLT. W/ RIGHT KEY#1

COLOR OF HOUSING

0 : BLACK HOUSING
 1 : BLUE HOUSING

TAIL LENGTH

CODE	DIM "B"
0	2.54
1	2.67
2	3.18

PLATING

CODE	CONTACT	SOLDERTAIL	UNDERPLATE
1	10u" (0.25um) MIN. GOLD	100u" (2.54um) MIN. TIN/LEAD	50u" (1.27um) MIN. NICKEL OVERALL
2	15u" (0.38um) MIN. GOLD		
3	30u" (0.76um) MIN. GOLD		
4	3u" (0.076um) MIN. GOLD		
6LF	10u" (0.25um) MIN. GOLD	100u" (2.54um) MIN. 100% TIN	50u" (1.27um) MIN. NICKEL OVERALL
7LF	15u" (0.38um) MIN. GOLD		
8LF	30u" (0.76um) MIN. GOLD		
9LF	3u" (0.076um) MIN. GOLD		

COLOR OF EJECTOR

0 : IVORY EJECTOR
 2 : BLACK EJECTOR

NOTES:

- MATERIAL:
 HOUSING: HIGH PERFORMANCE RESINS, GLASS FILLED UL94V-0 RATED.
 EJECTOR: HIGH PERFORMANCE RESINS, GLASS FILLED UL94V-0 RATED.
 TERMINAL: PHOSPHOR BRONZE
- FCI LOGO TO BE APPROXIMATELY LOCATED AS SHOWN ON PRINT.
- PRODUCT SPECIFICATION: GS-12-251.
- PACKAGING SPECIFICATION: GS-14-899.
- THE DATE CODE IS SHOWN "MM-DD-YY".
- DIMENSION MARKED "■" NEED CPK>1.5

spec ref *		dr	Su-Hua Miao	2010/11/04	projection 	MM 	size	A4	scale	0.500
tolerance std		eng	Marty Glass	2018/01/26			ecn no	ELX-DG-28708-1		
ISO 406 ISO 1101		chr	-	-			rel level	Released		
TOLERANCES UNLESS OTHERWISE SPECIFIED		appr	Nickor Zuo	2018/01/29	product family		10023061		rev	P
surface	linear	0.X	±0.38	Amphenol FCi	DDR 11 240P PLASTIC POST. ASS'Y		10023061		cat. no.	Product - Customer Drw
		0.XX	±0.25		-		sheet 3 of 4			
		0.XXX	±0.13		-					
ISO 1302	angular	0°	±2°	* Product - Customer Drw		sheet 3 of 4				

PRODUCT NO.	DIM "B"	HOUSING PART NO.	HOUSING COLOR	TERMINAL PART NO.	EJECTOR PART NO.	EJECTOR COLOR	DESCRIPTION	
10023061-1000*	2.54	10023062-10040	BLACK	10023056-200*	10023057-001	IVORY	FOR 1.8 VOLT.	
10023061-1010*	2.67			10023056-201*				
10023061-1020*	3.18			10023056-203*				
10023061-1002*	2.54			10023056-200*	10023057-002	BLACK		
10023061-1012*	2.67			10023056-201*				
10023061-1022*	3.18			10023056-202*				
10023061-1100*	2.54	10023062-10140	BLUE	10023056-200*	10023057-001	IVORY		
10023061-1110*	2.67			10023056-201*				
10023061-1120*	3.18			10023056-202*				
10023061-2000*	2.54	10023062-20040	BLACK	10023056-200*	10023057-001	IVORY		FOR 2.5 VOLT.
10023061-2010*	2.67			10023056-201*				
10023061-2020*	3.18			10023056-202*				
10023061-2002*	2.54			10023056-200*	10023057-001	BLACK		
10023061-2012*	2.67			10023056-201*				
10023061-2022*	3.18			10023056-202*				
10023061-2100*	2.54	10023062-20140	BLUE	10023056-200*	10023057-002	IVORY		
10023061-2110*	2.67			10023056-201*				
10023061-2120*	3.18			10023056-202*				
10023061-3000*	2.54	10023062-30040	BLACK	10023056-200*	10023057-001	IVORY	FOR X.X VOLT.	
10023061-3010*	2.67			10023056-201*				
10023061-3020*	3.18			10023056-202*				
10023061-3002*	2.54			10023056-200*	10023057-001	BLACK		
10023061-3012*	2.67			10023056-201*				
10023061-3022*	3.18			10023056-202*				
10023061-3100*	2.54	10023062-30140	BLUE	10023056-200*	10023057-002	IVORY		
10023061-3110*	2.67			10023056-201*				
10023061-3120*	3.18			10023056-202*				

REMARK:

1. PROD. NO. MARK "*" SEE ABOVE PART NO. PLATING CODE DESCRIPTION.
2. TERMINAL PART NO. MARK "*" SHOULD BE THE SAME AS IN PRODUCT PART NO..

spec ref *		dr	Su-Hua Miao	2010/11/04	projection		size	A4	scale	1.000	
tolerance std		eng	Marty Glass	2018/01/26			ecn no	ELX-DG-28708-1			
ISO 406 ISO 1101		chr	-	-				rel level	Released		
surface		appr	Nickor Zuo	2018/01/29	product family		rev				
<input checked="" type="checkbox"/> linear <input type="checkbox"/> angular	0.X	±0.38		Amphenol FCI	title		DDR 11 240P PLASTIC POST. ASS'Y		dwg no 10023061	P	
	0.XX	±0.25			cat. no.		Product - Customer Drw				
	0.XXX	±0.13			sheet 4 of 4						
ISO 1302	0°	±2°									