



Chipsmall Limited consists of a professional team with an average of over 10 year of expertise in the distribution of electronic components. Based in Hongkong, we have already established firm and mutual-benefit business relationships with customers from,Europe,America and south Asia,supplying obsolete and hard-to-find components to meet their specific needs.

With the principle of “Quality Parts,Customers Priority,Honest Operation,and Considerate Service”,our business mainly focus on the distribution of electronic components. Line cards we deal with include Microchip,ALPS,ROHM,Xilinx,Pulse,ON,Everlight and Freescale. Main products comprise IC,Modules,Potentiometer,IC Socket,Relay,Connector.Our parts cover such applications as commercial,industrial, and automotives areas.

We are looking forward to setting up business relationship with you and hope to provide you with the best service and solution. Let us make a better world for our industry!



Contact us

Tel: +86-755-8981 8866 Fax: +86-755-8427 6832

Email & Skype: info@chipsmall.com Web: www.chipsmall.com

Address: A1208, Overseas Decoration Building, #122 Zhenhua RD., Futian, Shenzhen, China



1

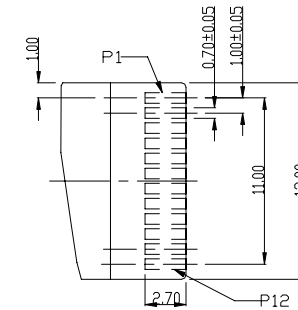
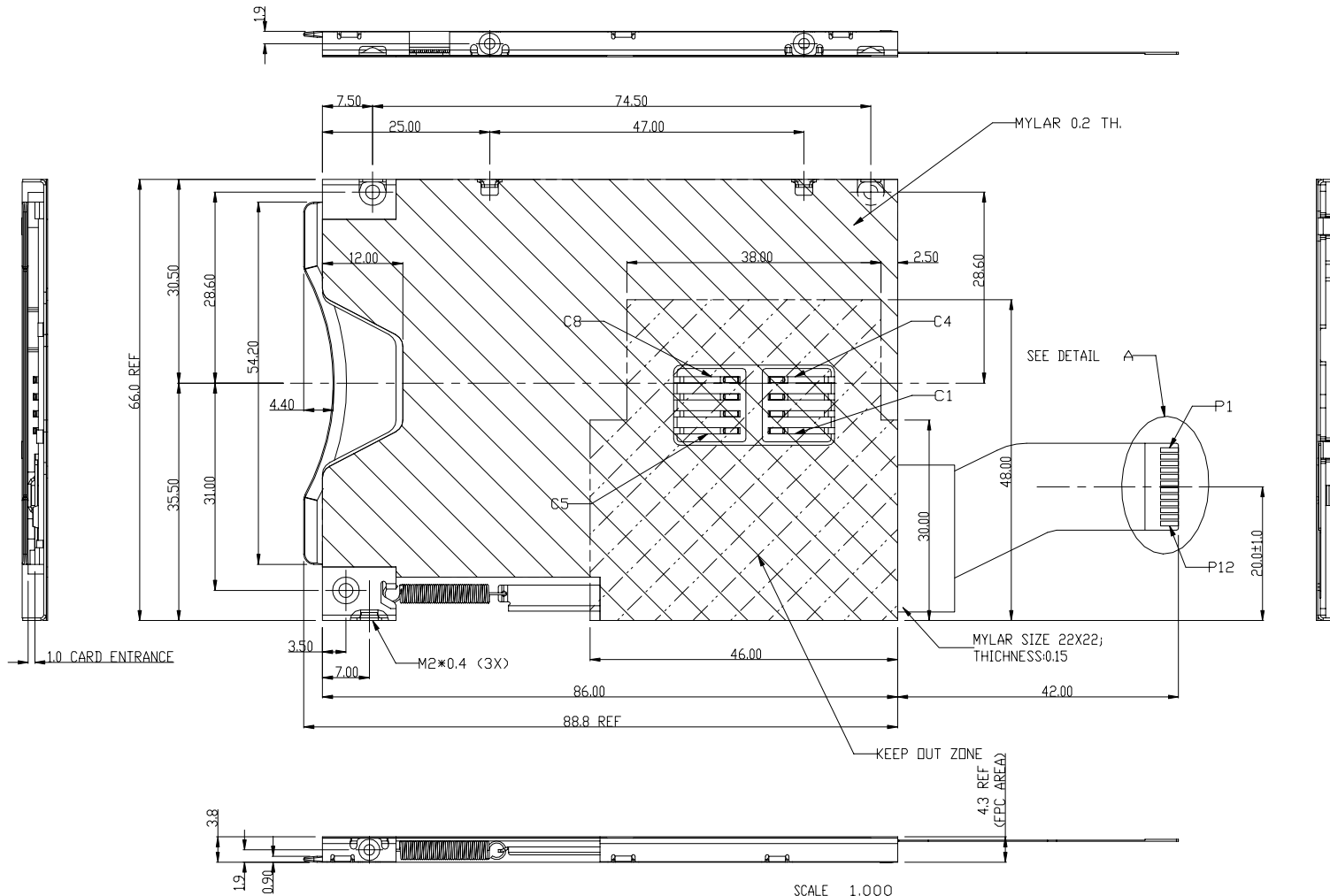
2

3

4

PRODUCT NO
10026297-001(LF)

Tous droits strictement reserves. Reproduction ou communication a des tiers interdite sous quelque forme que ce soit sans autorisation écrite du propriétaire. Propriete de c FCI. Droits de reproduction FCI.



DETAIL A
SCALE 2.000

SMART CARD	FPC	FUNC.
C4	P1	RFU
C3	P2	Clock
C2	P3	Reset
C1	P4	Vcc
SENSOR 1	P5	SENSOR
	P6	Reserved
SENSOR 2	P7	SENSOR
C5	P8	Gnd
C6	P9	Vpp
C7	P10	I/O
C8	P11	RFU
	P12	Reserved

All rights strictly reserved. Reproduction or issue to third parties in any form whatever is not permitted without written authority from the proprietor. Property of FCI. Copyright FCI.



www.fciconnect.com

tolerance
~10±0.3
10~100±0.5

projection
MM

MM

Dr	KENNY TAI	03/21/'03	Product family	size	A4	Scale	0.500
Eng	KENNY TAI	03/21/'03	Spec ref	ECN	N07-0108		
Chr	KENNY TAI	03/21/'03	Material				
Appr	PAUL WANG	03/21/'03					
title		SMARTPLUS B ASSY			dwg no		10026297
catalog no		CUSTOMER		sheet 1 of 4		Rev. H	

1

2

PDM: Rev:H

STATUS:Released

4 Printed: Sep 25, 2007

1

2

3

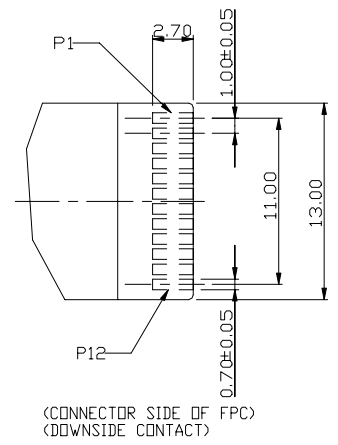
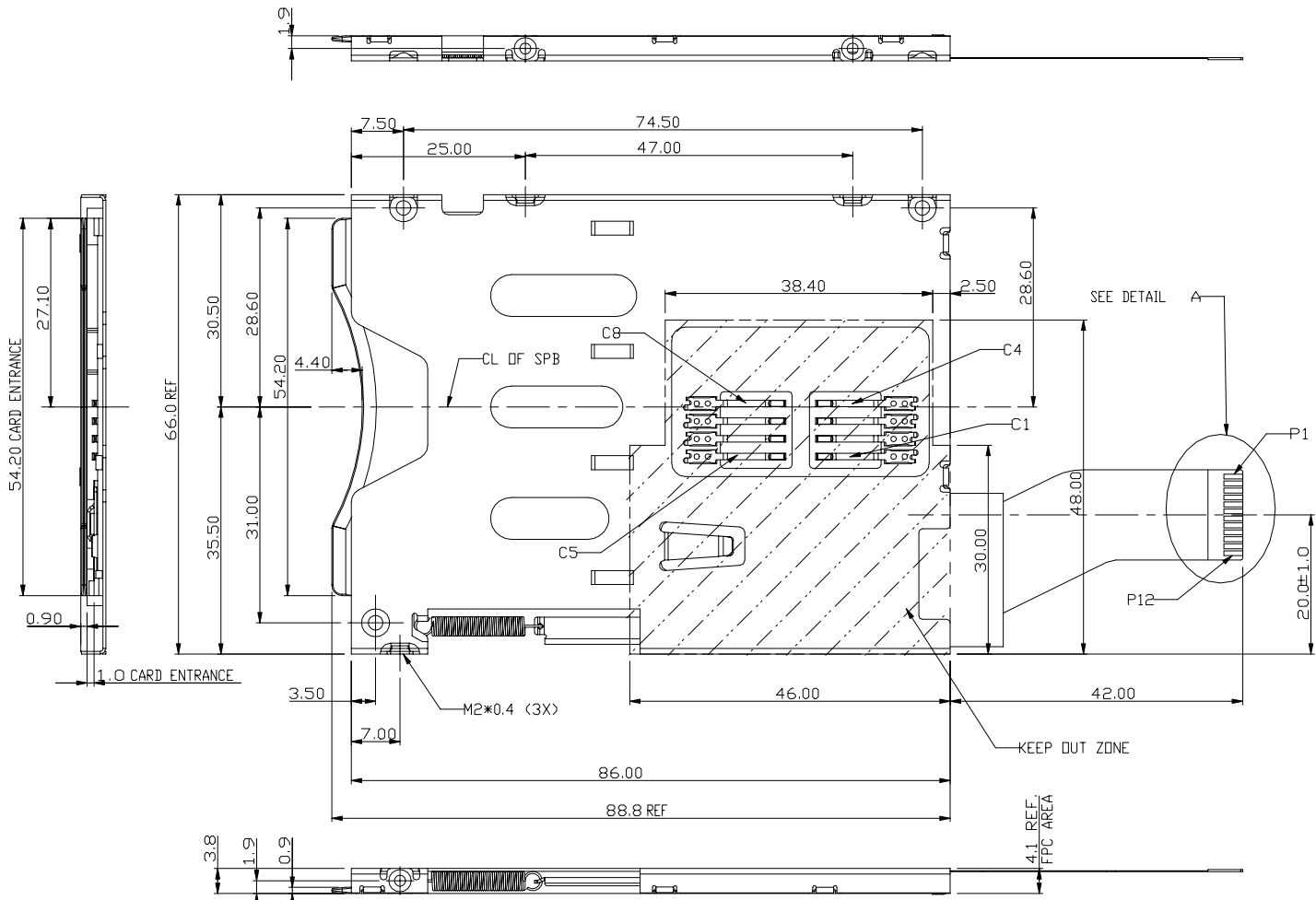
4

PRODUCT NO
10026297-002(LF)

Tous droits strictement reserves. Reproduction ou communication a des tiers interdite sous quelque forme que ce soit sans autorisation écrite du propriétaire. Propriete de c FCI. Droits de reproduction FCI.

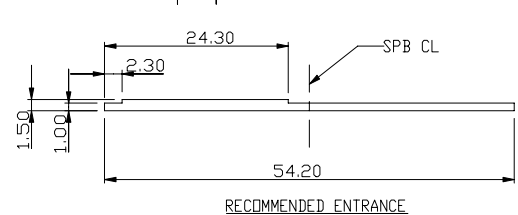


All rights strictly reserved. Reproduction or issue to third parties in any form whatever is not permitted without written authority from the proprietor. Property of FCI. Copyright FCI.



DETAIL A
SCALE 2.000

SMART CARD	FPC	FUNC.
C4	P1	RFU
C3	P2	Clock
C2	P3	Reset
C1	P4	Vcc
SENSOR 1	P5	SENSOR
	P6	Reversed
SENSOR 2	P7	SENSOR
C5	P8	Gnd
C6	P9	Vpp
C7	P10	I/O
C8	P11	RFU
	P12	Reversed



SCALE 1.000

NOTE: -002(LF) IS SAME AS -001(LF) EXCEPT NO TOP MYLAR.

		www.fciconnect.com		tolerance ~10±0.3 10~100±0.5	projection 	MM
Dr	KENNY TAI	11/04/'03	Product family	size	A4	Scale 1.000
Eng	KENNY TAI	11/04/'03	Spec ref	ECN		
Chr	KENNY TAI	11/04/'03	Material			
Appr	PAUL WANG	11/04/'03				
title SMARTPLUS B ASSY				dwg no 10026297		Rev. H
catalog no				CUSTOMER		sheet 2 of 4

1

2

PDM: Rev:H

STATUS:Released

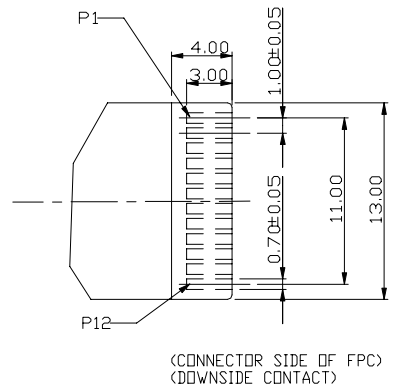
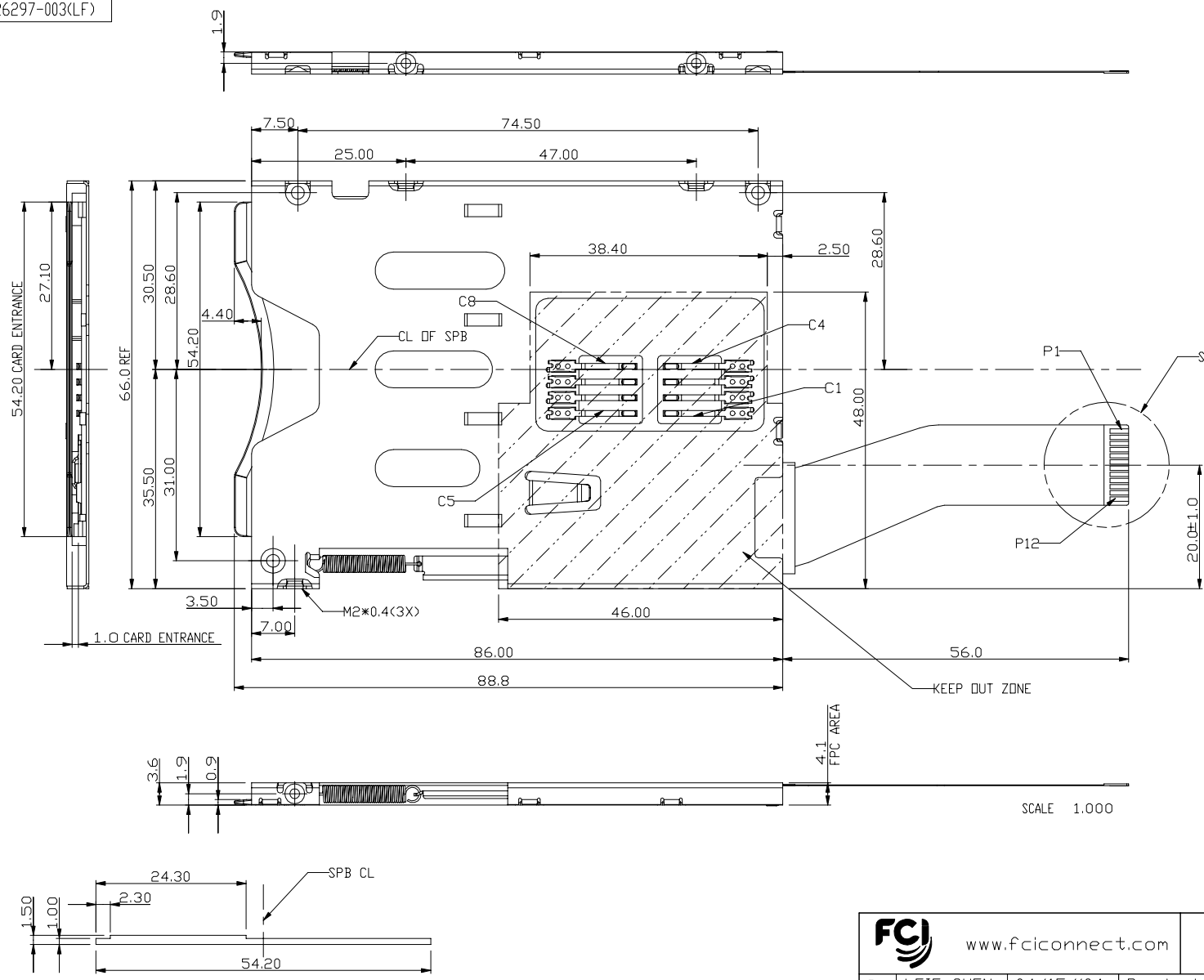
4 Printed: Sep 25, 2007

Tous droits strictement réservés. Reproduction ou communication à des tiers interdite sous quelque forme que ce soit sans autorisation écrite du propriétaire. Propriété de c FCI. Droits de reproduction FCI.



All rights strictly reserved. Reproduction or issue to third parties in any form whatever is not permitted without written authority from the proprietor. Property of FCI. Copyright FCI.

PRODUCT NO
10026297-003(LF)



SMART CARD	FPC	FUNC.
C4	P1	RFU
C3	P2	Clock
C2	P3	Reset
C1	P4	Vcc
SENSOR 1	P5	SENSOR
	P6	Reserved
SENSOR 2	P7	SENSOR
C5	P8	Gnd
C6	P9	Vpp
C7	P10	I/O
C8	P11	RFU
	P12	Reserved



NOTE: -003(LF) IS SAME AS -002(LF) EXCEPT FPC DIMENSION AND MYLAR(55616).

www.fciconnect.com		<input checked="" type="checkbox"/> tolerance ~10±0.3 10~100±0.5	projection 	MM
Dr	LEIF SHEN	04/15/'04	Product family	size
Eng	KENNY TAI	04/15/'04	Spec ref	A4
Chr	KENNY TAI	04/15/'04	Material	Scale
Appr	PAUL WANG	04/15/'04		1.000
title			SMARTPLUS B ASSY	
catalog no			10026297	Rev. H
			CUSTOMER	sheet 3 of 4

1

2

3

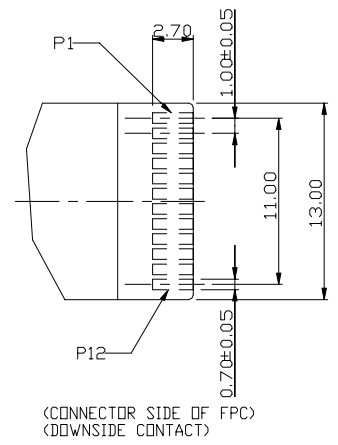
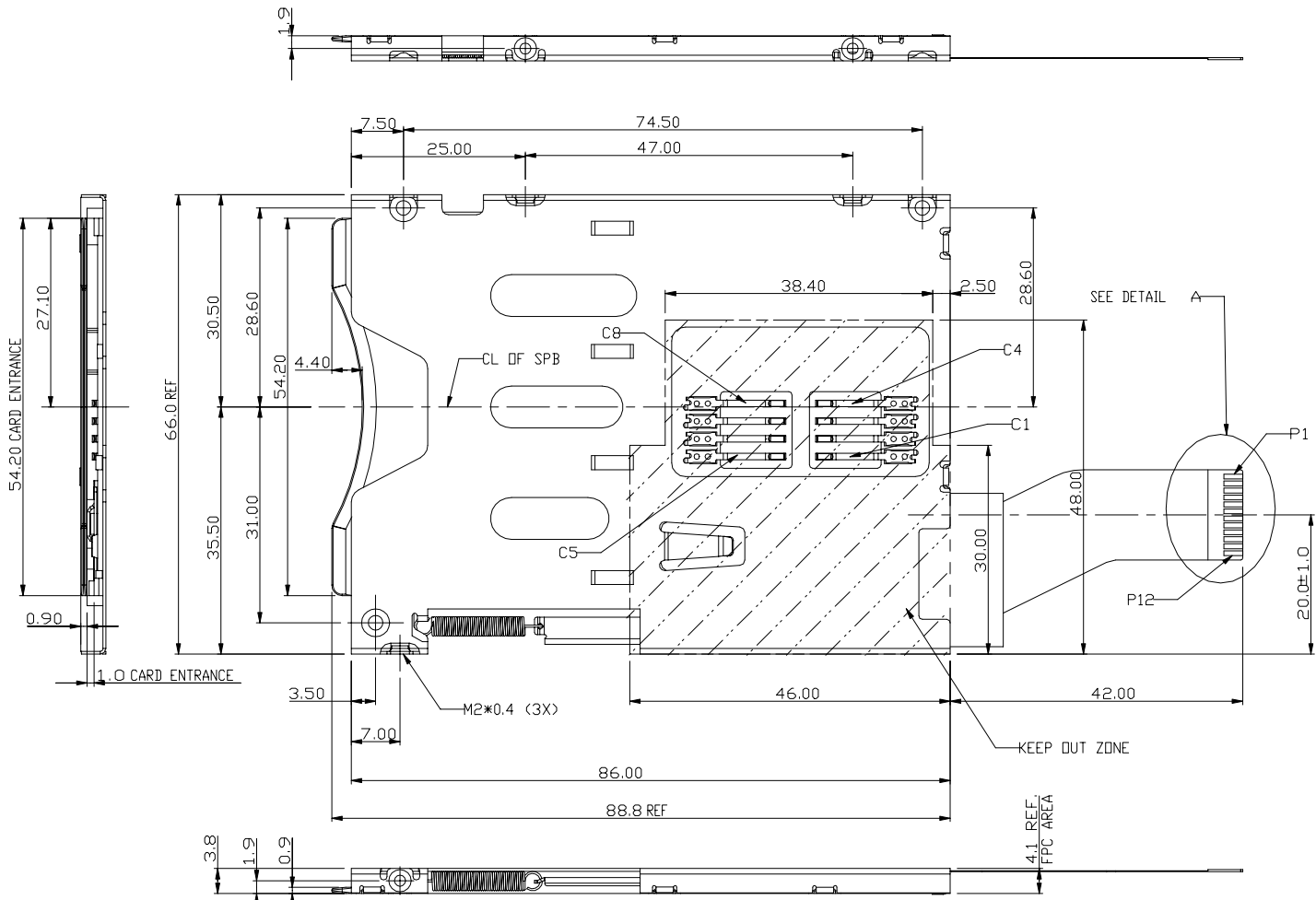
4

PRODUCT NO
10026297-004(LF)

Tous droits strictement reserves. Reproduction ou communication a des tiers interdite sous quelque forme que ce soit sans autorisation écrite du propriétaire. Propriete de c FCI. Droits de reproduction FCI.

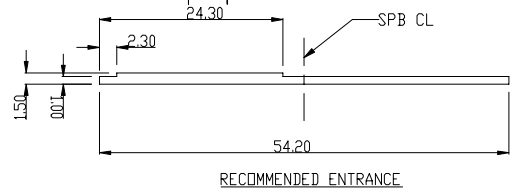


All rights strictly reserved. Reproduction or issue to third parties in any form whatever is not permitted without written authority from the proprietor. Property of FCI. Copyright FCI.



DETAIL A
SCALE 2.000

SMART CARD	FPC	FUNC.
C4	P1	RFU
C3	P2	Clock
C2	P3	Reset
C1	P4	Vcc
SENSOR 1	P5	SENSOR
	P6	Reversed
SENSOR 2	P7	Gnd
	P8	Gnd
C5	P9	Vpp
C6	P10	I/O
C7	P11	RFU
C8	P12	Reversed



SCALE 1.000

NOTE: -004(LF) IS SAME AS -002(LF) EXCEPT FOR SOLDER PAD LAYOUT OF PCB.

		www.fciconnect.com		tolerance ~10±0.3 10~100±0.5	projection 	MM
Dr	KENNY TAI	11/04/'03	Product family	size	A4	Scale 1.000
Eng	KENNY TAI	11/04/'03	Spec ref	ECN		
Chr	KENNY TAI	11/04/'03	Material			
Appr	PAUL WANG	11/04/'03				
title SMARTPLUS B ASSY				dwg no 10026297		Rev. H
catalog no				CUSTOMER		sheet 4 of 4

1

2

PDM: Rev:H

STATUS: Released

4 Printed: Sep 25, 2007