



Chipsmall Limited consists of a professional team with an average of over 10 year of expertise in the distribution of electronic components. Based in Hongkong, we have already established firm and mutual-benefit business relationships with customers from,Europe,America and south Asia,supplying obsolete and hard-to-find components to meet their specific needs.

With the principle of “Quality Parts,Customers Priority,Honest Operation,and Considerate Service”,our business mainly focus on the distribution of electronic components. Line cards we deal with include Microchip,ALPS,ROHM,Xilinx,Pulse,ON,Everlight and Freescale. Main products comprise IC,Modules,Potentiometer,IC Socket,Relay,Connector.Our parts cover such applications as commercial,industrial, and automotives areas.

We are looking forward to setting up business relationship with you and hope to provide you with the best service and solution. Let us make a better world for our industry!



Contact us

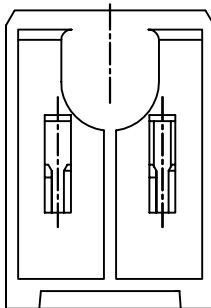
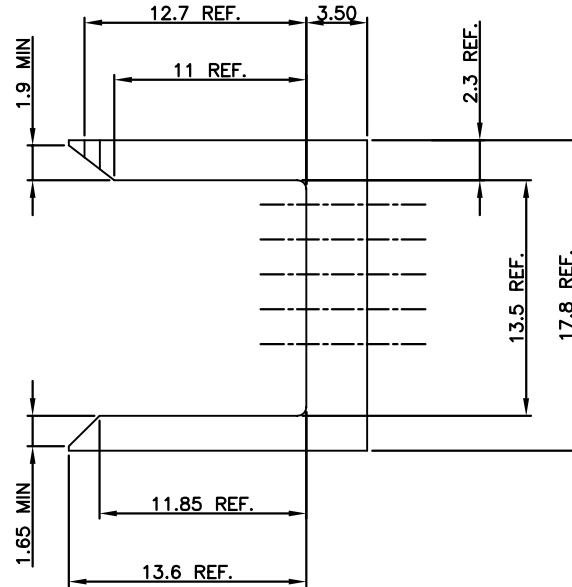
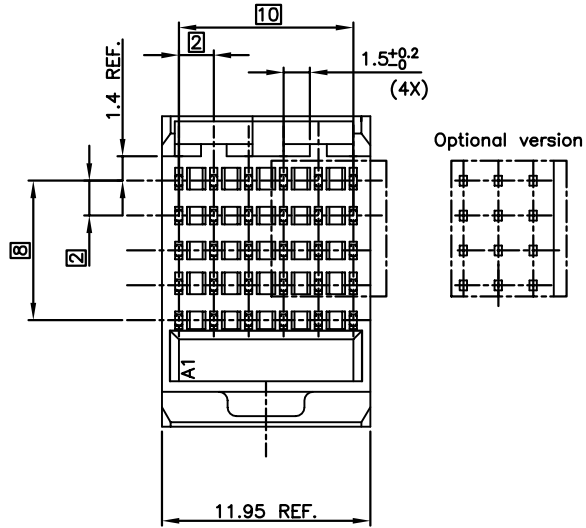
Tel: +86-755-8981 8866 Fax: +86-755-8427 6832

Email & Skype: info@chipsmall.com Web: www.chipsmall.com

Address: A1208, Overseas Decoration Building, #122 Zhenhua RD., Futian, Shenzhen, China



PART NUMBER	NO. OF MOD.
10027633-001	1
10027633-001LF	1

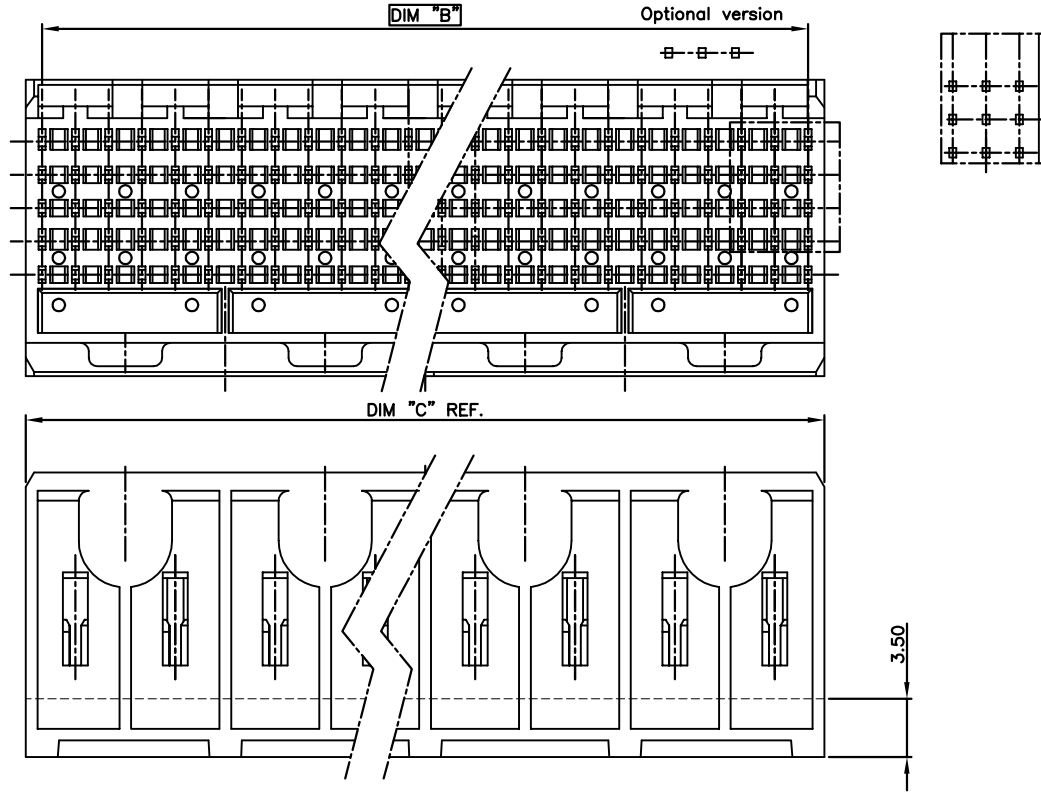


NOTES:

1. BODY MATERIAL: LIQUID CRYSTAL POLYMER 30% GLASS. FLAME RETARDANT ACC. TO UL 94-V0. COLOUR : NATURAL.
2. FOR LEAD FREE NUMBERS, ADD AN 'LF' SUFFIX. PART NUMBERS THAT DO NOT END IN 'LF' ARE LEAD FREE. EXAMPLE: 10027633-001LF
3. THE PRODUCTS WHERE THE PART NUMBER ENDS IN LF AND THE NONE LF PART NUMBERS MEET THE EUROPEAN UNION DIRECTIVES AND OTHER COUNTRY REGULATIONS AS DESCRIBED IN GS-22-008.
4. ALL PRODUCTS WILL WITHSTAND EXPOSURE TO 260°C FOR 60 SECONDS IN A CONVECTION, INFRA-RED OR VAPOUR PHASE REFLOW OVEN.

mat'l. code		surface		tolerance		projection		product family	
SEE NOTE 1		ASME Y14.5		ASME Y14.5				METRAL (tm)	
ltr	ecn no	dr	date	tolerances unless otherwise specified				title	
A	V03-0456	LP	03/21/03	angles	UNSCAL	.X±.3	MM		5 ROW SHROUD
B	V06-0080	JRV	3/15/06	0°±2°	UNSCAL	.XX±.13	scale 1:1		
C	V06-0609	DCH	2006-06-22	0°±2°	UNSCAL	.XXX±.051	scale 1:1		
		dr	L.POTTEIGER	03/21/03			FCI		dwg no
		enrg	M.GRAY	03/21/03					sheet 1 of 2
		chr	M.GRAY	03/21/03					10027633
		appd	M.GRAY	03/21/03					A4
sheet index		revision	c	c	type				
1		sheet	1	2	CUSTOMER Drawing				

PART NUMBER	NO. OF MOD.	DIM B	DIM C
10027633-002	2	22	23.95
10027633-003	4	46	47.95
10027633-004	8	94	95.95
10027633-002LF	2	22	23.95
10027633-003LF	4	46	47.95
10027633-004LF	8	94	95.95



NOTES :

1. FOR ALL OTHER PRODUCT INFORMATION SEE SHEET 1.

mat'l. code		surface		tolerance		projection		product family	
SEE NOTE 1		ASME Y14.5		ASME Y14.5				METRAL (tm)	
ltr	ecn no	dr	date	tolerances unless otherwise specified					
c				angles	.X±.3	MM		title	
				0°±2'	.XX±.13	scale 1:1		5 ROW SHROUD	
				dr	L.POTTEIGER	03/21/03			dwg no
				engr	M.GRAY	03/21/03	sheet 2 of		size
				chr	M.GRAY	03/21/03	10027633		A4
				appd	M.GRAY	03/21/03	type		CUSTOMER Drawing
sheet index	revision sheet								