



Chipsmall Limited consists of a professional team with an average of over 10 year of expertise in the distribution of electronic components. Based in Hongkong, we have already established firm and mutual-benefit business relationships with customers from,Europe,America and south Asia,supplying obsolete and hard-to-find components to meet their specific needs.

With the principle of "Quality Parts,Customers Priority,Honest Operation,and Considerate Service",our business mainly focus on the distribution of electronic components. Line cards we deal with include Microchip,ALPS,ROHM,Xilinx,Pulse,ON,Everlight and Freescale. Main products comprise IC,Modules,Potentiometer,IC Socket,Relay,Connector.Our parts cover such applications as commercial,industrial, and automotives areas.

We are looking forward to setting up business relationship with you and hope to provide you with the best service and solution. Let us make a better world for our industry!



## Contact us

Tel: +86-755-8981 8866 Fax: +86-755-8427 6832

Email & Skype: info@chipsmall.com Web: www.chipsmall.com

Address: A1208, Overseas Decoration Building, #122 Zhenhua RD., Futian, Shenzhen, China



THIS DRAWING IS UNPUBLISHED.

RELEASED FOR PUBLICATION

© COPYRIGHT 19-

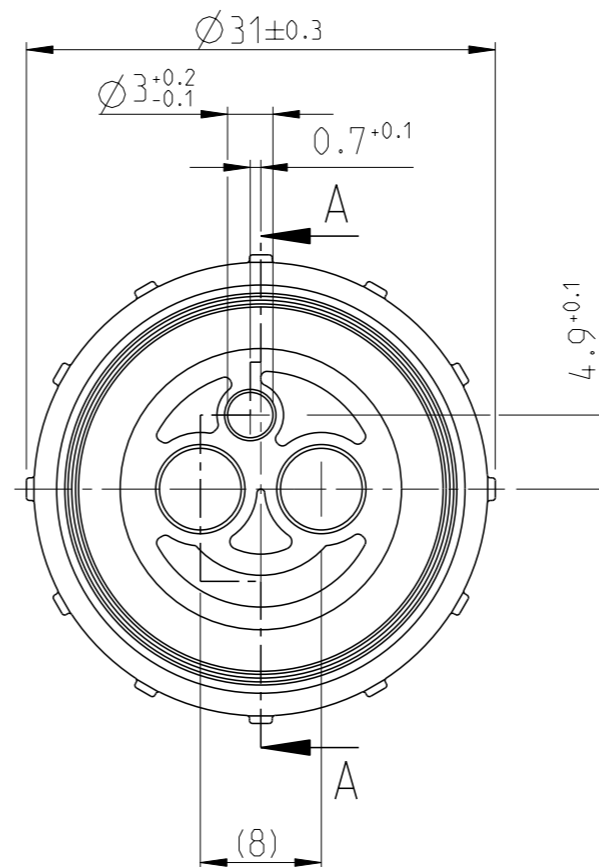
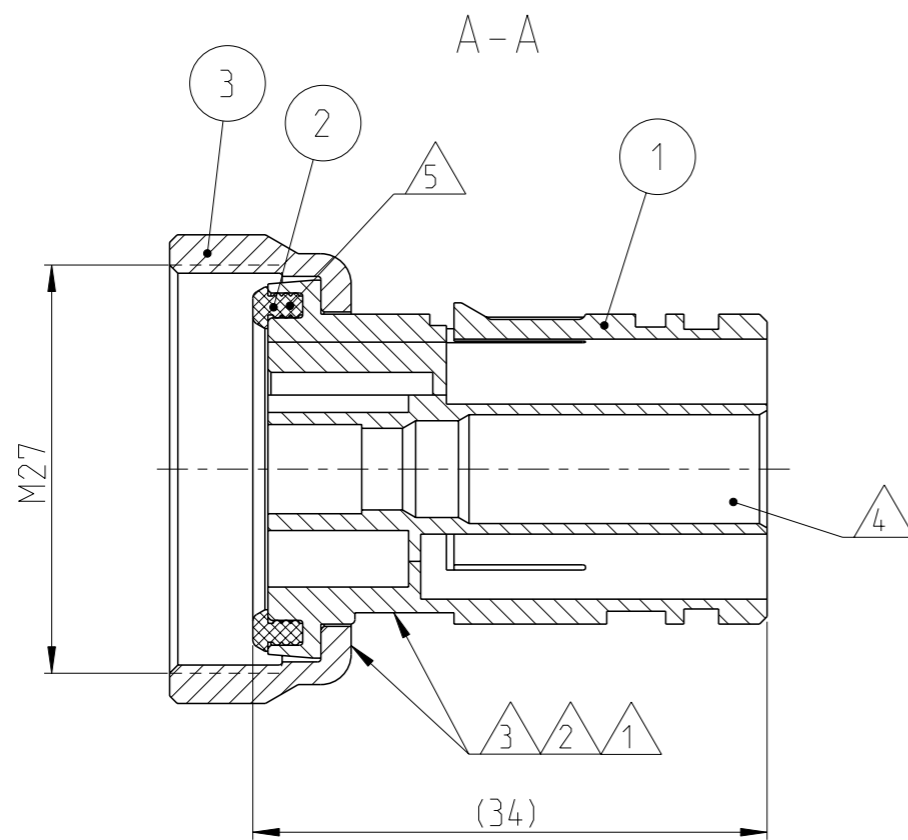
ALL RIGHTS RESERVED.

LOC  
FM

DIST  
1

REVISIONS

P	LTR	DESCRIPTION	DATE	DWN	APVD
	C	EH-0589-96	22MAY1996	JZ	JJ
	D	EH-0848-96	22JUL1996	DK	JJ
	D1	ECR-11-019959	02NOV2011	GN	GB



NOTES:

- ① TRADEMARK PER SPEC. 115-19030-3
- ② TE-IDENTIFICATION NUMBER ACC. DIN 1451 MITTLESCHR. HEIGHT 1.2
- ③ TE-MOLD IDENTIFICATION NUMBER
- ④ CAVITY FOR;
  - 1. 4mm. SOCKET CONTACT  
WIRE SIZE 0.5-4mm<sup>2</sup>  
SEE DRAWING NR.962952-1  
NR.962954-1  
NR.962956-1
  - 2. SCAT SEE DRAWING NR.963243-1  
NR.963244-1
- ⑤ SEAL BONDED IN INSERT.

-1 AS SHOWN  
-2 WITHOUT NUT 100295-1

MATERIAL	DESCRIPTION	PART NO	ITEM
PBT	NUT M27	100295-1	3
SILICON RUBBER	SEALING RING	100293-1	2
PBT	2-POS. HOUSING	100288-1	1

THIS DRAWING IS A CONTROLLED DOCUMENT.		DWN J.V.LIEMPT 10FEB1992	<b>STE</b> TE Connectivity											
DIMENSIONS: mm		CHK R.O.T.BERG			NAME ASSY 2 POS. HOUSING FOR 4mm. SOCKET CONTACT M27 VERSION									
TOLERANCES UNLESS OTHERWISE SPECIFIED:		APVD L.V.SOEST												
<table border="0"> <tr> <td>0 PLC</td><td>±-</td></tr> <tr> <td>1 PLC</td><td>±0.2</td></tr> <tr> <td>2 PLC</td><td>±0.02</td></tr> <tr> <td>3 PLC</td><td>±0.005</td></tr> <tr> <td>4 PLC</td><td>±-</td></tr> <tr> <td>ANGLES</td><td>±1°</td></tr> </table>		0 PLC			±-	1 PLC	±0.2	2 PLC	±0.02	3 PLC	±0.005	4 PLC	±-	ANGLES
0 PLC	±-													
1 PLC	±0.2													
2 PLC	±0.02													
3 PLC	±0.005													
4 PLC	±-													
ANGLES	±1°													
MATERIAL -	FINISH -	APPLICATION SPEC -	WEIGHT -	SIZE A3	CAGE CODE 00779	DRAWING NO C=100284	RESTRICTED TO -							
CUSTOMER DRAWING				SCALE 2:1	SHEET 1	OF 1	REV D1							