



Chipsmall Limited consists of a professional team with an average of over 10 year of expertise in the distribution of electronic components. Based in Hongkong, we have already established firm and mutual-benefit business relationships with customers from,Europe,America and south Asia,supplying obsolete and hard-to-find components to meet their specific needs.

With the principle of "Quality Parts,Customers Priority,Honest Operation,and Considerate Service",our business mainly focus on the distribution of electronic components. Line cards we deal with include Microchip,ALPS,ROHM,Xilinx,Pulse,ON,Everlight and Freescale. Main products comprise IC,Modules,Potentiometer,IC Socket,Relay,Connector.Our parts cover such applications as commercial,industrial, and automotives areas.

We are looking forward to setting up business relationship with you and hope to provide you with the best service and solution. Let us make a better world for our industry!



Contact us

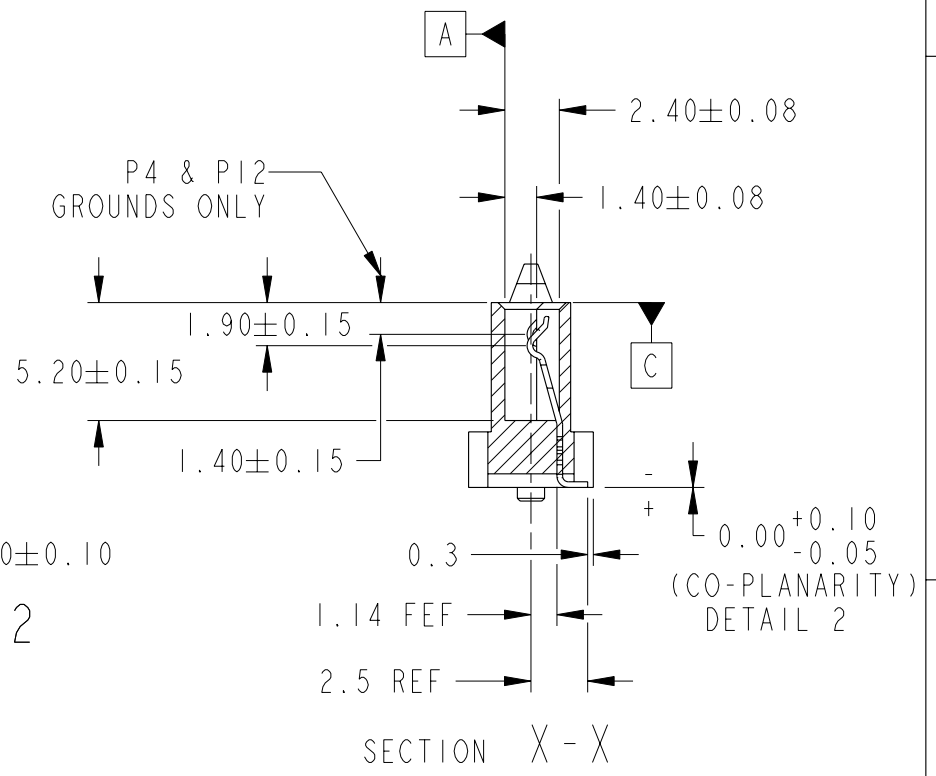
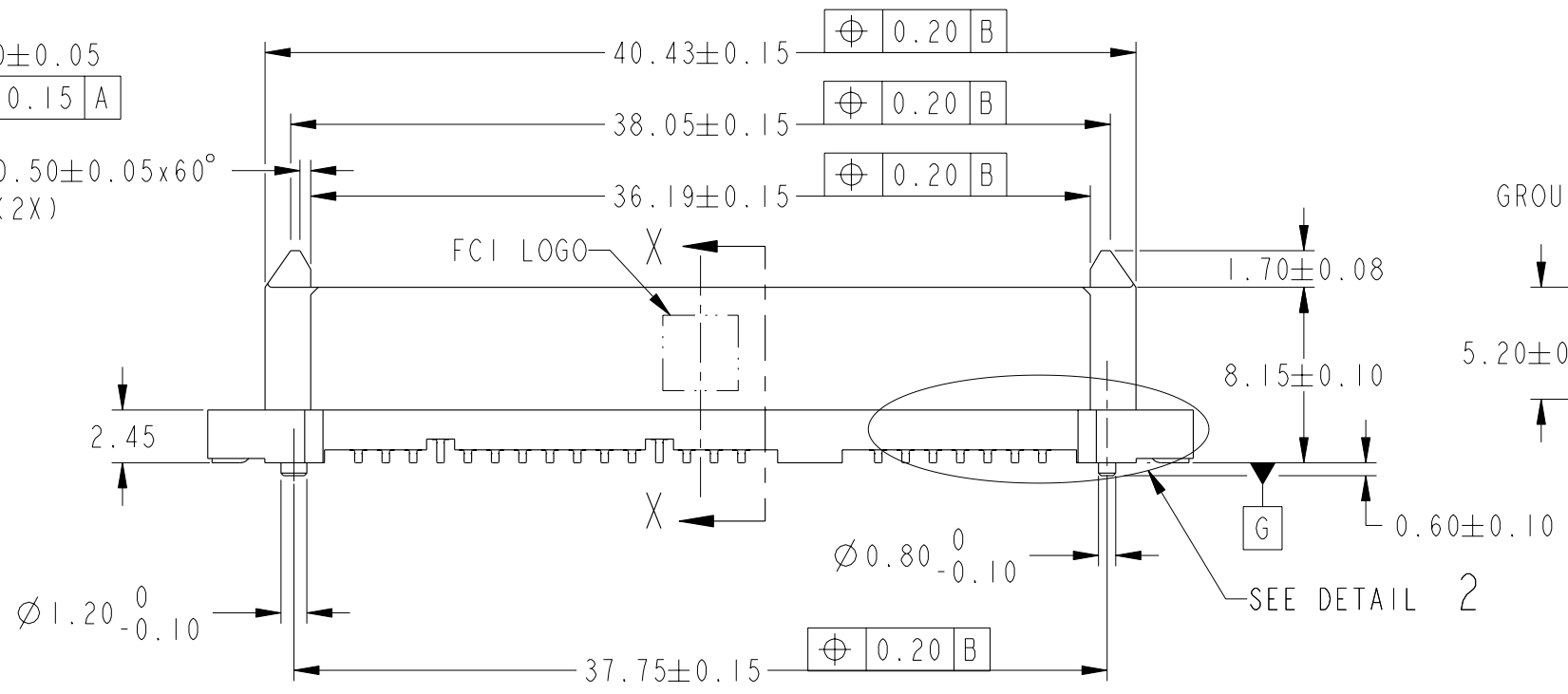
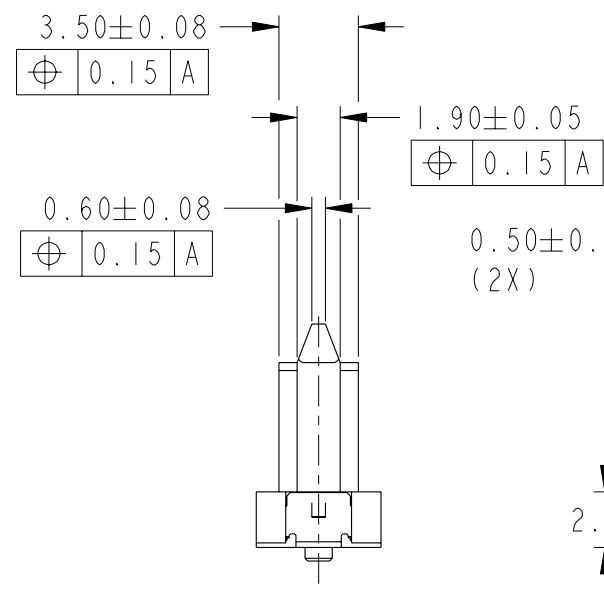
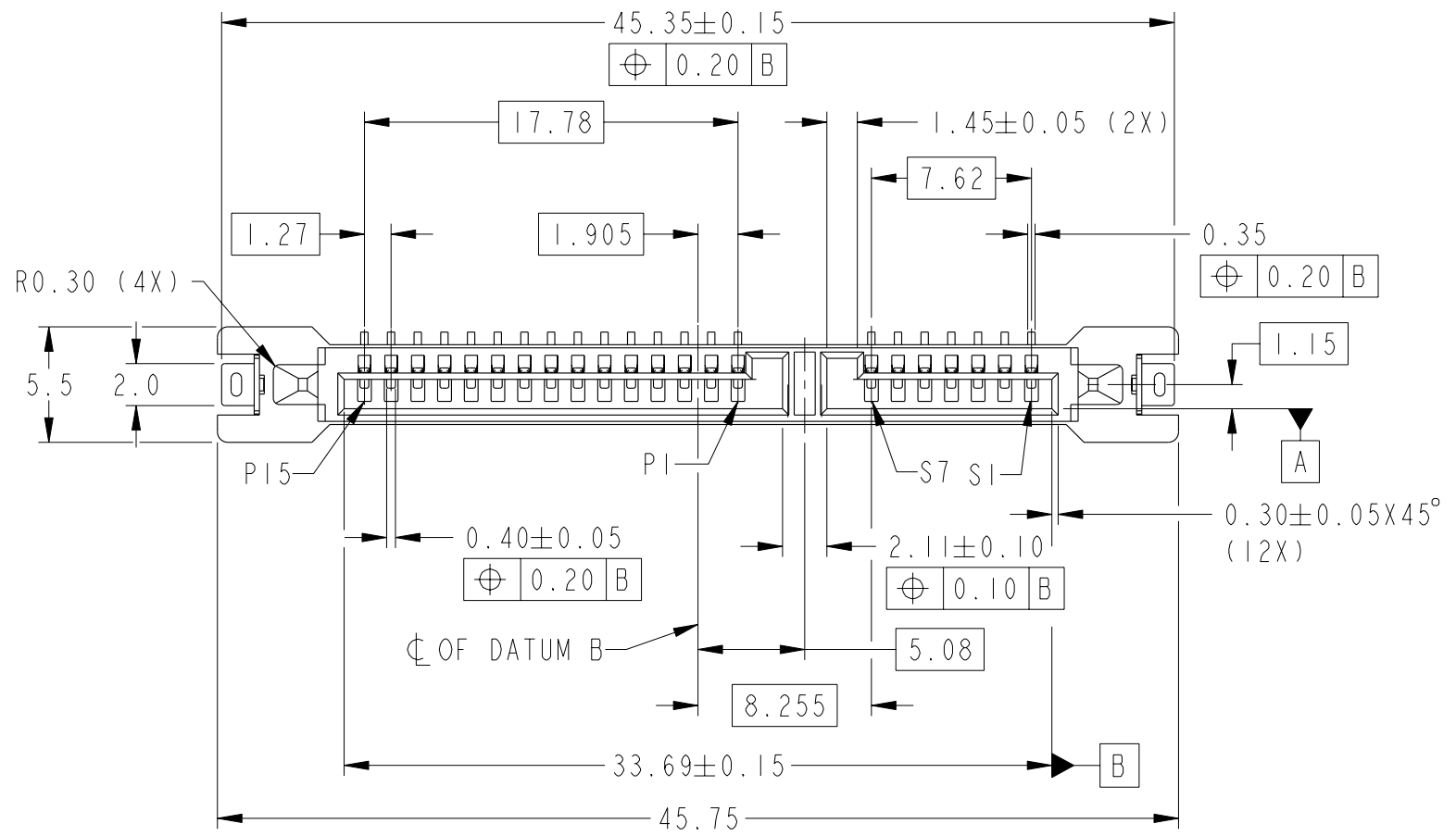
Tel: +86-755-8981 8866 Fax: +86-755-8427 6832

Email & Skype: info@chipsmall.com Web: www.chipsmall.com

Address: A1208, Overseas Decoration Building, #122 Zhenhua RD., Futian, Shenzhen, China



PRODUCT NO
SEE TABLE

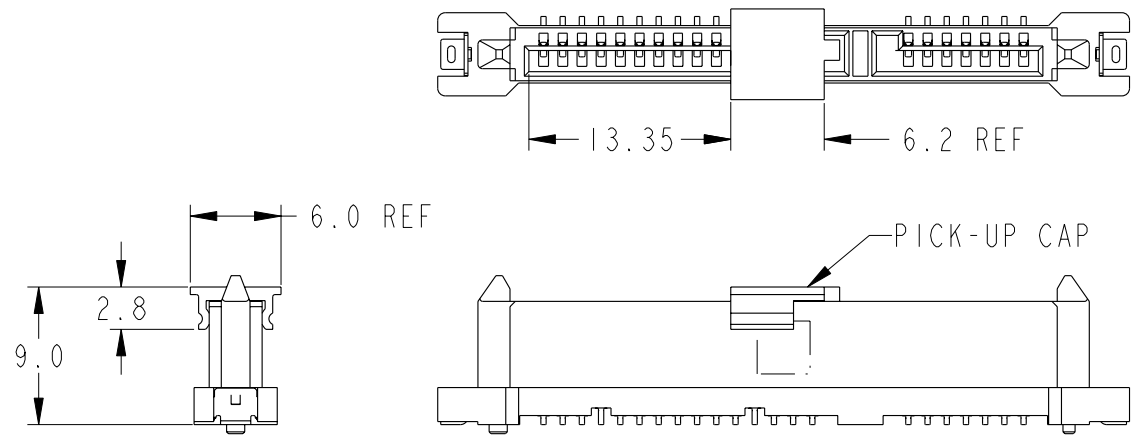


Copyright FCI.

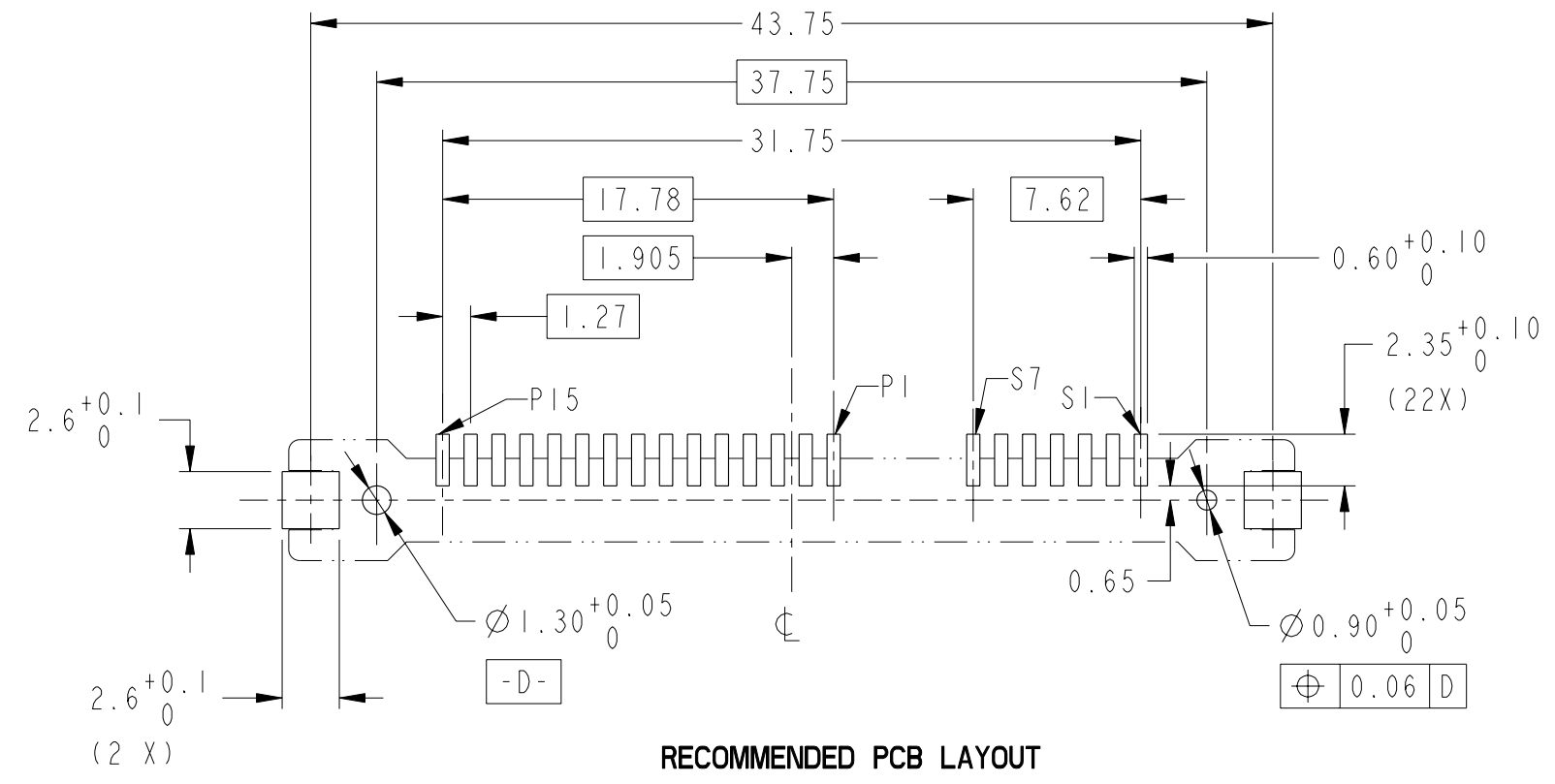
spec ref	-	dr	GL LOO	2004-02-27	projection	MM	size	A3	scale	3:1
tolerance std	ISO 406 ISO 1101	eng	GL LOO	2004-02-27			ecn no	S10-0228	rel level	-
TOLERANCES UNLESS OTHERWISE SPECIFIED		chr	GL LOO	2010-10-28						
surface	ISO 1302	appr	JOEY NG	2010-10-28			rel level	-	rev	H
linear	0.X ± 0.XX ±0.20 0.XXX ±			title S-ATA COMB RECEP VERTICAL SMT TYPE ASSY		size A3 scale 3:1	dwg no 10029065	sheet 1 of 3	Product - Customer Drw	
angular	0° ±2°	www.fci.com		cat. no.	-	Product - Customer Drw		sheet 1 of 3		

PRODUCT NO	PLATING	PICK- UP CAP	PACKAGING	REMARKS	PRODUCT NO	PLATING
10029065-001LF	NOTE ③	NO	TRAY	-	10029065-401LF	NOTE ⑪
10029065-001CLF		YES		SEE NOTE ④	10029065-401CLF	
10029065-001C-TRLF		YES	TAPE & REEL	SEE NOTE ⑨	10029065-401C-TRLF	

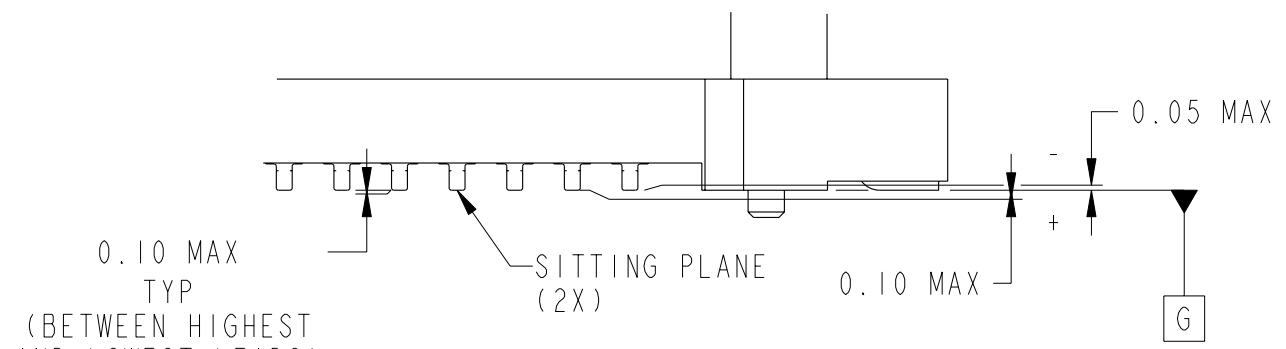
NOTE 11



PART WITH PICK-UP CAP, SEE NOTE ④
SCALE 2:1



RECOMMENDED PCB LAYOUT



DETAIL 2
SCALE 6:1



Copyright FCI.

spec ref	-	dr	GL LOO	2004-02-27	projection	MM	size	A3	scale	3:1
tolerance std	ISO 406 ISO 1101	eng	GL LOO	2004-02-27			ecn no	S10-0228	rel level	-
TOLERANCES UNLESS OTHERWISE SPECIFIED		chr	GL LOO	2010-10-28						
surface	ISO 1302	appr	JOEY NG	2010-10-28			rel level	-		
		linear	0.X	±-			dwg no	10029065	rev	H
			0.XX	±0.20			cat. no.	-	Product - Customer	Drw
		angular	0°	±2°			sheet 2 of 3			

NOTES:

- 1 THIS PRODUCT MEETS THE SATA SPEC REV. 1.0a
- 2 MATERIAL :
 - 1) HOUSING : HIGH TEMP TERMOPLASTIC, UL 94V-0
 - COLOR : BLACK
 - 2) TERMINAL : COPPER ALLOY
 - 3) HOLD DOWN : COPPER ALLOY
- ③ FINISH :
 - 1) TERMINAL : 30μ" Au PLATING (CONTACT POINT) OVER 50μ" NICKEL
 - 2) SOLDER TAIL : 50μ" min Sn OVER 50μ" NICKEL
 - 3) HOLD DOWN : 50μ" min Sn OVER 50μ" NICKEL
- ④ PART WITH PICK-UP CAP, P/N XXXXXXXX-XXX_C LF
- ⑤ THE STD PACKAGING IS IN TRAY UNLESS OTHERWISE SPECIFIED.
- 6 THE HOUSING WILL WITHSTAND EXPOSURE TO 260°C PEAK TEMPERATURE FOR 10 SECONDS IN A CONVECTION INFRA-RED OR VAPOR PHASE REFLOW OVEN.
- ⑦ THIS PRODUCT MEETS EUROPEAN UNION DIRECTIVES AND OTHER COUNTRY REGULATIONS AS DESCRIBED IN GS-22-008.
- ⑧ PART NUMBERS ENDING IN"LF" MEANS FOR NOTE 7 LEAD FREE IDENTIFICATION
 - (i) ~~P/N XXXXXXXX-XXXLF IS EQUIVALENT TO PREVIOUS P/N XXXXXXXX-XXX~~
 - (ii) ~~P/N XXXXXXXX-XXXCLF IS EQUVALENT TO PREVIOUS P/N XXXXXXXX-XXXC~~
- ⑨ FOR TAPE & REEL PACKAGING, SUFFIX "-TR" ADDED.
P/N XXXXXXXX-XXXC-TR LF
- ⑩ A $\triangle H$ SYMBOL WILL BE NEXT TO ANY DIMENSION, VIEW, OR NOTE WHICH HAS BEEN MODIFIED WITH THE CURRENT DRAWING REVISION
- ⑪ FINISH :
 - 1) TERMINAL : 15μ" GXT PLATING (CONTACT POINT) OVER 50μ" NICKEL
 - 2) SOLDER TAIL : 50μ" min Sn OVER 50μ" NICKEL
 - 3) HOLD DOWN : 50μ" min Sn OVER 50μ" NICKEL



Copyright FCI.

spec ref -		dr	GL LOO	2004-02-27	projection 	MM 	size	A3	scale	3:1
tolerance std ISO 406 ISO 1101		eng	GL LOO	2004-02-27			ecn no	S10-0228		
TOLERANCES UNLESS OTHERWISE SPECIFIED		chr	GL LOO	2010-10-28			rel level	-		
surface \checkmark		appr	JOEY NG	2010-10-28	product family		S-ATA			
ISO 1302	linear	0.X	± -		title	S-ATA COMB RECEP	dwg no	10029065	rev	H
		0.XX	±0.20							
		0.XXX	± -							
angular	0°	±2°	www.fci.com	cat. no.	-	Product - Customer		Drw	sheet 3 of 3	