



Chipsmall Limited consists of a professional team with an average of over 10 year of expertise in the distribution of electronic components. Based in Hongkong, we have already established firm and mutual-benefit business relationships with customers from,Europe,America and south Asia,supplying obsolete and hard-to-find components to meet their specific needs.

With the principle of “Quality Parts,Customers Priority,Honest Operation,and Considerate Service”,our business mainly focus on the distribution of electronic components. Line cards we deal with include Microchip,ALPS,ROHM,Xilinx,Pulse,ON,Everlight and Freescale. Main products comprise IC,Modules,Potentiometer,IC Socket,Relay,Connector.Our parts cover such applications as commercial,industrial, and automotives areas.

We are looking forward to setting up business relationship with you and hope to provide you with the best service and solution. Let us make a better world for our industry!



Contact us

Tel: +86-755-8981 8866 Fax: +86-755-8427 6832

Email & Skype: info@chipsmall.com Web: www.chipsmall.com

Address: A1208, Overseas Decoration Building, #122 Zhenhua RD., Futian, Shenzhen, China



4

3

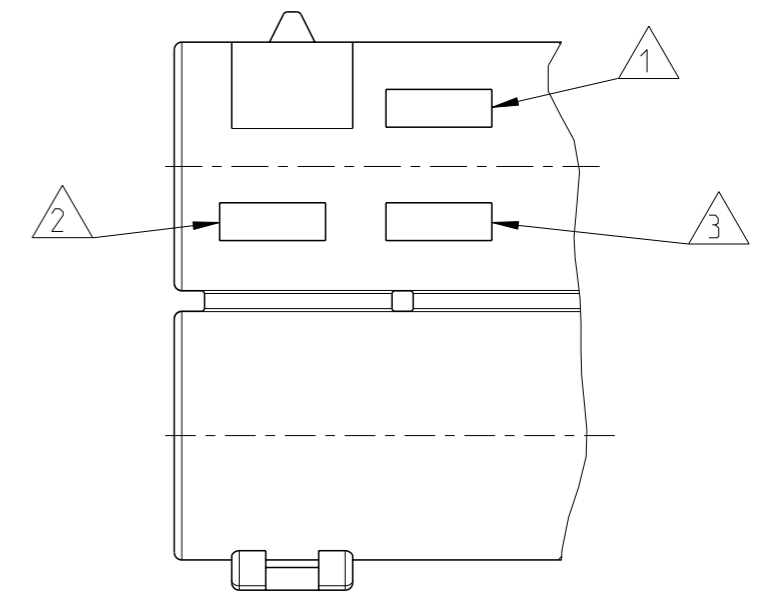
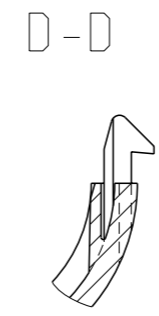
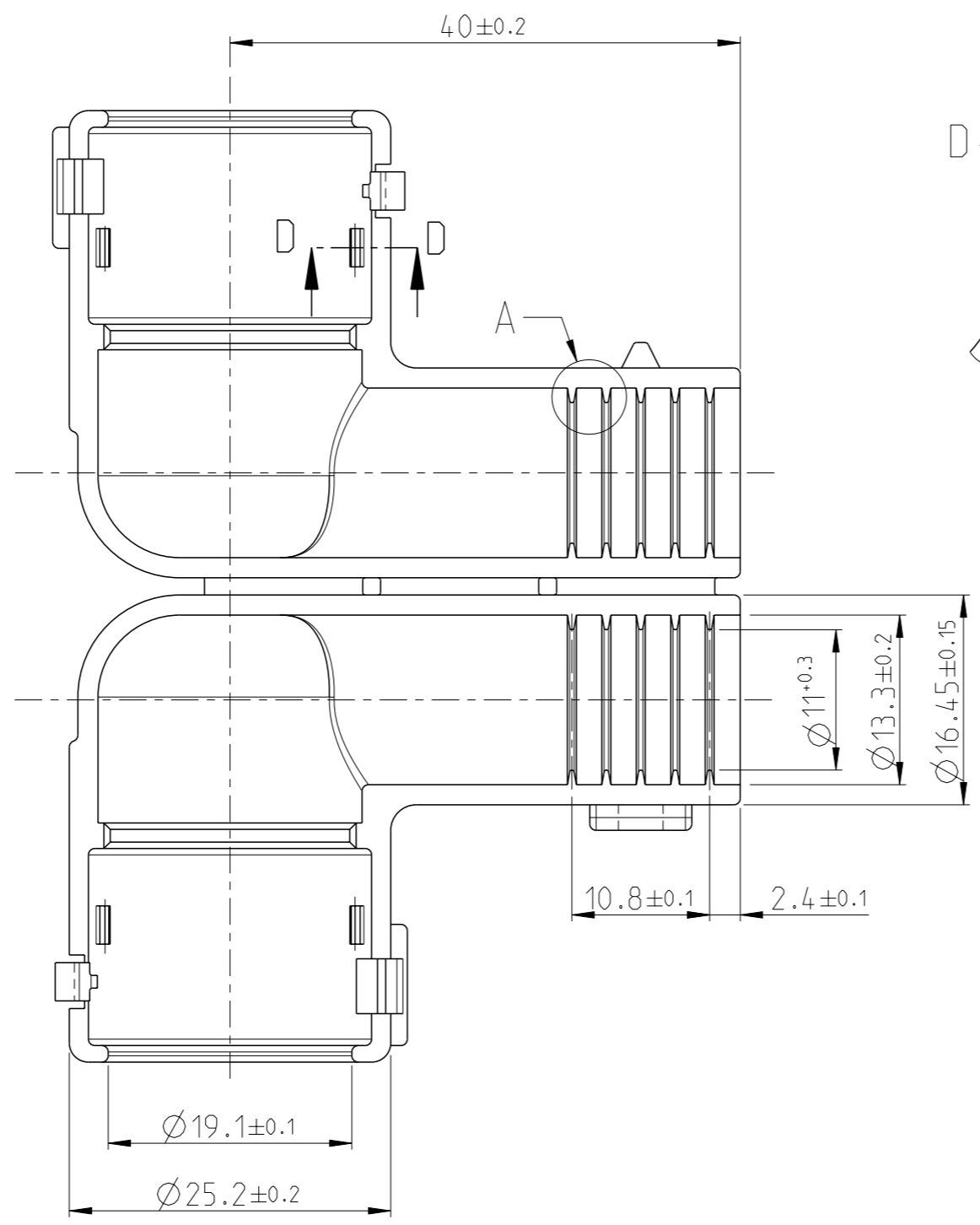
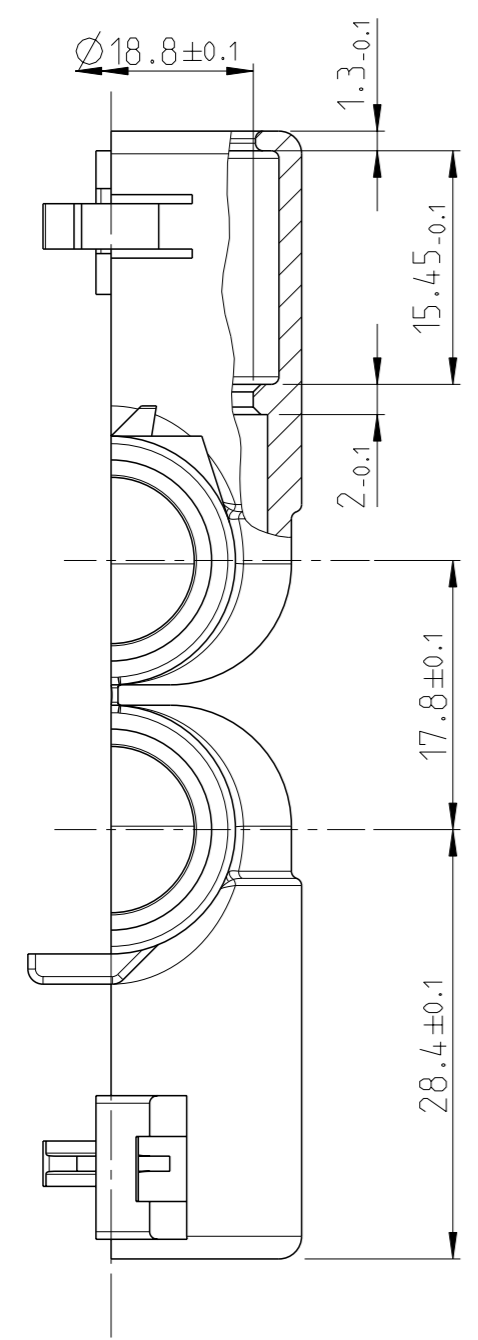
2

1

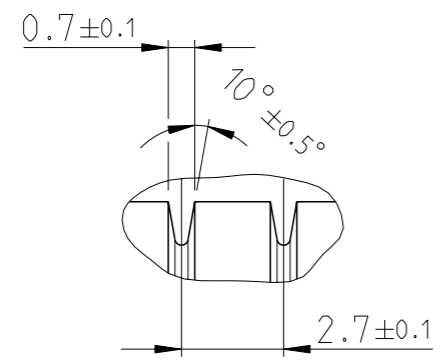
THIS DRAWING IS UNPUBLISHED. RELEASED FOR PUBLICATION 2009
COPYRIGHT 2009 ALL RIGHTS RESERVED.

LOC FM DIST 1

REVISIONS					
P	LTR	DESCRIPTION	DATE	DWN	APVD
	D	EH-1552-95	19DEC1995	JVL	J.J.
	E	EH-0589-96	22MAY1996	J.Z.	J.J.
	E1	ECR-11-019959	02NOV2011	GN	GB



A
5:1



NOTES:

- 1 TRADEMARK PER SPEC. 115-19030-3
- 2 TE-IDENTIFICATION NUMBER ACC. DIN 1451 MITTLESCHRIFT, HEIGHT 1.2mm, RAISED 0.15mm
- 3 TE-MOLD IDENTIFICATION NUMBER.
- 4 MATERIAL: PBT
COLOR: BLACK

THIS DRAWING IS A CONTROLLED DOCUMENT.		DWN J.V.LIEMPT. 10FEB1992	TE Connectivity	
		CHK R.O.T.BERG 25FEB1992		
DIMENSIONS: mm		APVD L.V.SOEST. 25FEB1992	NAME ADAPTER 90 DEG M24/M27 VERSION	
TOLERANCES UNLESS OTHERWISE SPECIFIED:		PRODUCT SPEC -	RESTRICTED TO -	
0 PLC ±- 1 PLC ±0.1 2 PLC ±0.05 3 PLC ±0.005 4 PLC ±- ANGLES ±0°.30'		APPLICATION SPEC -	SIZE A3	CAGE CODE 00779
MATERIAL PBT	FINISH -	WEIGHT -	DRAWING NO C=100291	SCALE 2:1
CUSTOMER DRAWING			SHEET 1 OF 1	REV E1