



Chipsmall Limited consists of a professional team with an average of over 10 year of expertise in the distribution of electronic components. Based in Hongkong, we have already established firm and mutual-benefit business relationships with customers from,Europe,America and south Asia,supplying obsolete and hard-to-find components to meet their specific needs.

With the principle of “Quality Parts,Customers Priority,Honest Operation,and Considerate Service”,our business mainly focus on the distribution of electronic components. Line cards we deal with include Microchip,ALPS,ROHM,Xilinx,Pulse,ON,Everlight and Freescale. Main products comprise IC,Modules,Potentiometer,IC Socket,Relay,Connector.Our parts cover such applications as commercial,industrial, and automotives areas.

We are looking forward to setting up business relationship with you and hope to provide you with the best service and solution. Let us make a better world for our industry!



## Contact us

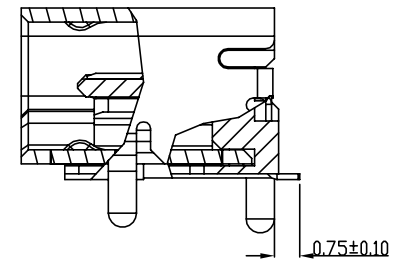
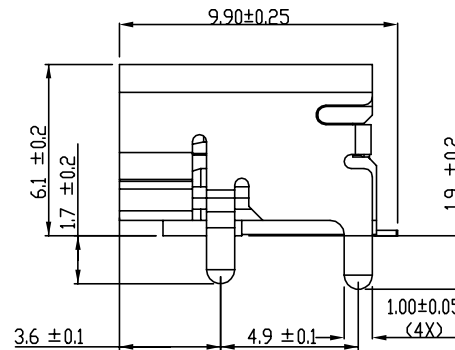
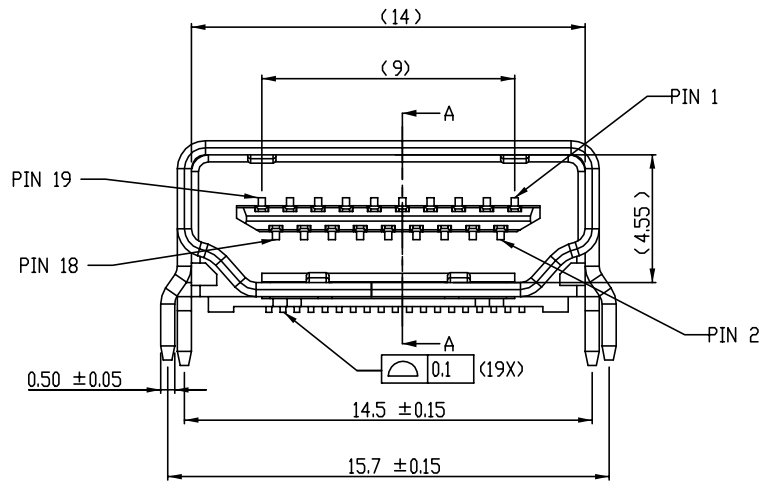
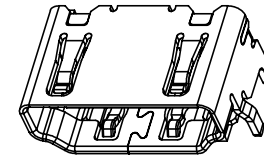
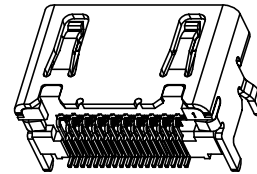
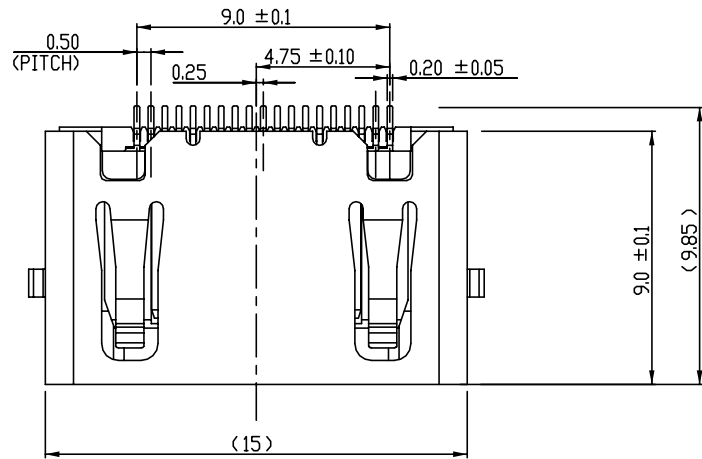
Tel: +86-755-8981 8866 Fax: +86-755-8427 6832

Email & Skype: info@chipsmall.com Web: www.chipsmall.com

Address: A1208, Overseas Decoration Building, #122 Zhenhua RD., Futian, Shenzhen, China



PRODUCT NO.  
10029449-X01XLF

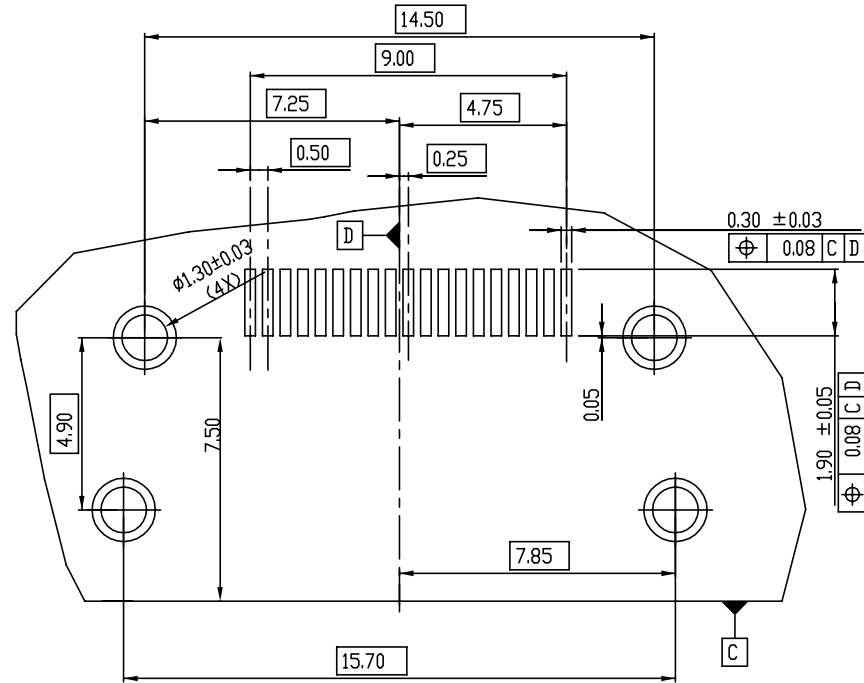


SECTION A-A

mat'l. code		surface		tolerance		projection		product family	
		ISO1302		ISO1101 ISO406				HDMI	
ltr ecn nodr		date		tolerances unless otherwise specified				HDMI TYPE A RECEPTACLE	
M	N09-0307	SH	10/21/09	angle	.X±0.3	MM			
N	N10-0033	SH	02/01/10	line	.XX±0.15				
P	N10-0201	KW	2011-02-14	0°±2'	.XXX±0.05	scale 4.0			
R	N12-0001	SH	2012-02-23	dr	LEIF SHEN	10/15/04		dwg no	
S	N12-0003	AZH	2012-06-13	enr	LEIF SHEN	10/15/04		sheet 1 of 5	
				chr	PAUL WANG	10/15/04		10029449	
				app	JOSEPH HSIA	10/15/04		A4	
sheet		revisions		type		Product Customer Drawing		size	
index	sheet	1	2	3	4	5			



PRODUCT NO.	CONTACT AREA PLATING	SHIELD FIGURE	PACKING
10029449-001TLF	30u" GXT MINIMUM	WITHOUT FLANGE	TRAY
10029449-001RLF	30u" GXT MINIMUM	WITHOUT FLANGE	TAPE AND REEL
10029449-101TLF	GOLD FLASH 3u" MIN	WITHOUT FLANGE	TRAY
10029449-101RLF	GOLD FLASH 3u" MIN	WITHOUT FLANGE	TAPE AND REEL
10029449-002TLF	30u" GXT MINIMUM	WITH FLANGE	TRAY
10029449-002RLF	30u" GXT MINIMUM	WITH FLANGE	TAPE AND REEL
10029449-002FLF	GOLD FLASH 3u" MIN	WITH FLANGE	TAPE AND REEL



RECOMMENDED PCB PATTERN LAYOUT  
(t=1.6mm)

NOTES:

1. MATERIAL

- 1-1 HOUSING: GLASS FIBER HIGH-TEMP. RESIN.(UL94V-0)
- 1-2 CONTACT: BRASS
- 1-3 SHELL : STEEL

2. FINISH

- 2-1 CONTACT : Ni UNDER PLATED ALL OVER 50u" MIN CONTACT AREA SEE TABLE
- 2-2 SHELL : Ni 100u" MIN.

3. PACKAGING:

PACKAGING SPECIFICATION GS-14-939.

4. PRODUCT SPEC:

PRODUCT SPECIFICATION GS-12-309.

5. RoHS STANDARD SPECIFICATION ACCORDING TO FCI GS-22-008.

6. PARTS MEET REFLOW APPLICATION PEAK TEM. 260°C, 10 SECONDS MAX.

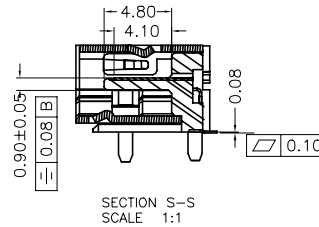
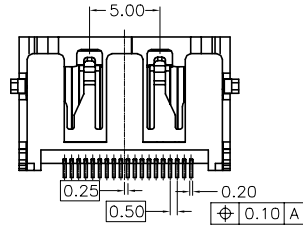
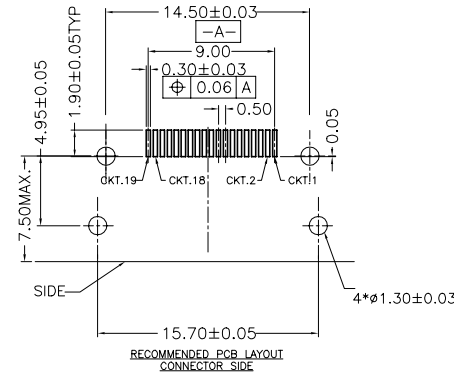
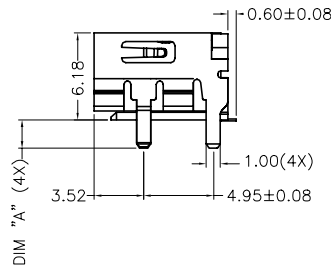
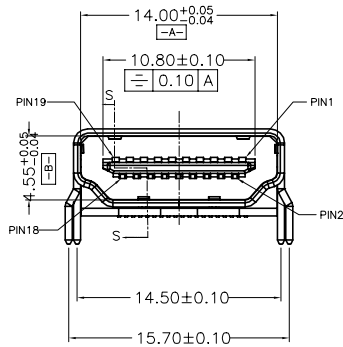
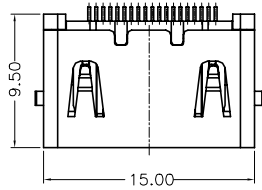
mat'l. code		surface		tolerance		projection		product family	
		ISO1302		ISO1101 ISO406		MM		HDMI	
ltr ecn nodr		date		tolerances unless otherwise specified		scale		title	
M	N09-0307	SH	10/21/09	angle	.X±0.3	MM		HDMI TYPE A RECEPTACLE	
N	N10-0033	SH	02/01/10	line	.XX±0.15				
P	N10-0201	KW	2011-02-14	0°±2'	.XXX±0.05	scale	4.0		
R	N12-0001	SH	2012-03-09	dr	LEIF SHEN	10/15/04	dwg no		sheet 3 of 5
S	N12-0003	A.ZH	2012-06-13	enr	LEIF SHEN	10/15/04	10029449		A4
				chr	PAUL WANG	10/15/04	type		Product Customer Drawing
				app	JOSEPH HSIA	10/15/04			
sheet	revision								
index	sheet								



PRODUCT NO.	CONTACT AREA PLATING	SHIELD FIGURE	DIM "A"	PACKING
10029449-111RLF	GOLD FLASH 3u" MIN	WITHOUT FLANGE	2.02±0.20	TAPE AND REEL
10029449-113RLF	GOLD FLASH 3u" MIN	WITHOUT FLANGE	0.90±0.20	TAPE AND REEL

NOTE:

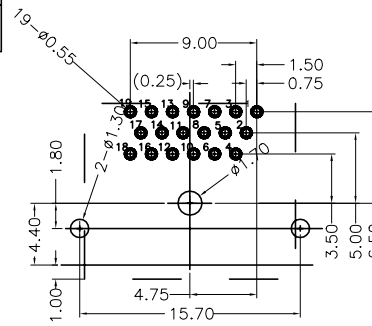
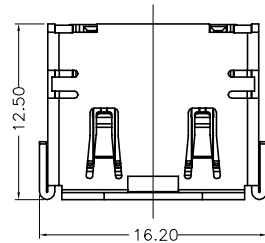
- MATERIAL:  
HOUSING: HIGH TEMP.THERMOPLASTIC, UL 94V-0  
COLOR: BLACK.  
CONTACT: PHOSPHOR BRONZE  
SHIELD: BRASS
- FINISH:  
SEE NOTES.
- TERMINAL RETENTION FORCE TO BE 0.3kgf MIN.
- TERMINAL CUT-OFF BURR TO BE 0.05MAX.



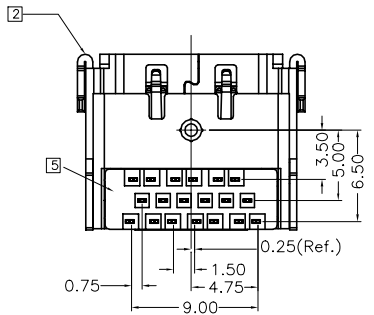
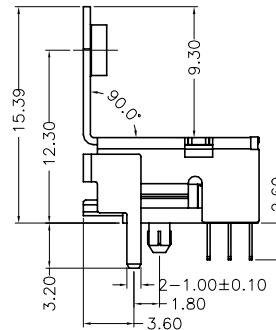
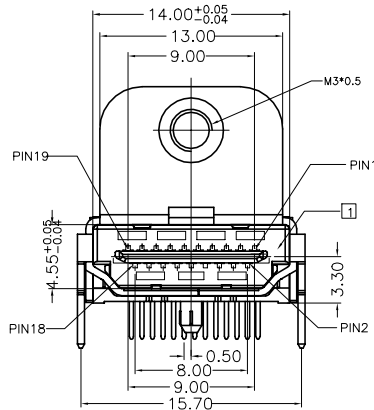
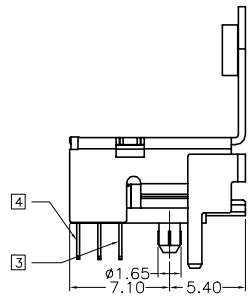
mat'l. code		surface ISO1302 ✓		tolerance ISO1101 ISO406		projection MM		product family HDMI	
ltr ecn nodr		date		tolerances unless otherwise specified		title			
M	N09-0307	SH	10/21/09	angle	.X±0.3	MM		HDMI TYPE A RECEPTACLE	
N	N10-0033	SH	02/01/10	line	.XX±0.15				
P	N10-0201	KW	2011-02-14	0'±2'	.XXX±0.05	scale 2.0			
R	N12-0001	SH	2012-03-09	dr	LEIF SHEN	10/15/04		dwg no sheet4of5 size	
S	N12-0003	A.ZH	2012-06-13	enr	LEIF SHEN	10/15/04		10029449 A4	
				chr	PAUL WANG	10/15/04			
				app	JOSEPH HSIA	10/15/04			
sheet index	revision sheet							type Product Customer Drawing	



PRODUCT NO.	CONTACT AREA PLATING	SHIELD FIGURE	PACKING
10029449-112TLF	GOLD FLASH 3u" MIN	WITH FLANGE	TRAY



RECOMMENDED PCB LAYOUT(t=1.60±0.15)  
COMPONENT SIDE



NOTE:

- MECHANICAL CHARACTERISTICS  
 INSERTION FORCE: 44.1N MAX  
 WITHDRAWAL FORCE: 9.8N MIN, 39.2N MAX  
 MATING CYCLE: 10000 CYCLES  
 CONTACT PULL OUT FORCE: 1.96N/PIN MIN

- ELECTRICAL CHARACTERISTICS  
 RATING CURRENT: 0.5A  
 RATING VOLTAGE: 40V  
 CONTACT RESISTANCE: 10 MILLOHMS OHMS MAX  
 (EXCLUDING CONDUCTOR RESISTANCE)  
 INSULATION RESISTANCE:  
 a, UNMATED: 100M OHMS MIN AT 500 VDC  
 b, MATED: 10M OHMS MIN AT 150 VDC  
 DIELECTRIC WITHSTANDING VOLTAGE: 300V AC/1MINUTE  
 OPERATING TEMPERATURE: -20°C---+85°C  
 STORAGE TEMPERATURE: -20°C---+65°C

mat'l. code		surface ISO1302 ✓		tolerance ISO1101 ISO406		projection MM		product family HDMI	
ltr ecn nodr		date		tolerances unless otherwise specified		scale		title	
M	N09-0307	SH	10/21/09	angle	.0±0.3	MM		HDMI TYPE A RECEPTACLE	
N	N10-0033	SH	02/01/10	line	.00±0.15				
P	N10-0201	KW	2011-02-14	0°±2'	.000±0.05	scale 2.0			
R	N12-0001	SH	2012-03-09	dr	LEIF SHEN	10/15/04	FCI	dwg no	
S	N12-0003	A.ZH	2012-06-13	enr	LEIF SHEN	10/15/04		sheet 5 of 5	
				chr	PAUL WANG	10/15/04		size A4	
sheet		revision		app		type		Product Customer Drawing	
index		sheet		JOSEPH HSIA					