



Chipsmall Limited consists of a professional team with an average of over 10 year of expertise in the distribution of electronic components. Based in Hongkong, we have already established firm and mutual-benefit business relationships with customers from,Europe,America and south Asia,supplying obsolete and hard-to-find components to meet their specific needs.

With the principle of “Quality Parts,Customers Priority,Honest Operation,and Considerate Service”,our business mainly focus on the distribution of electronic components. Line cards we deal with include Microchip,ALPS,ROHM,Xilinx,Pulse,ON,Everlight and Freescale. Main products comprise IC,Modules,Potentiometer,IC Socket,Relay,Connector.Our parts cover such applications as commercial,industrial, and automotives areas.

We are looking forward to setting up business relationship with you and hope to provide you with the best service and solution. Let us make a better world for our industry!



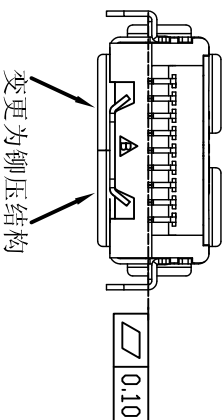
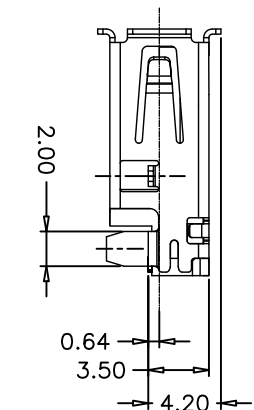
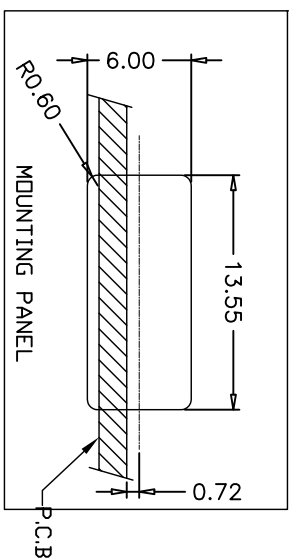
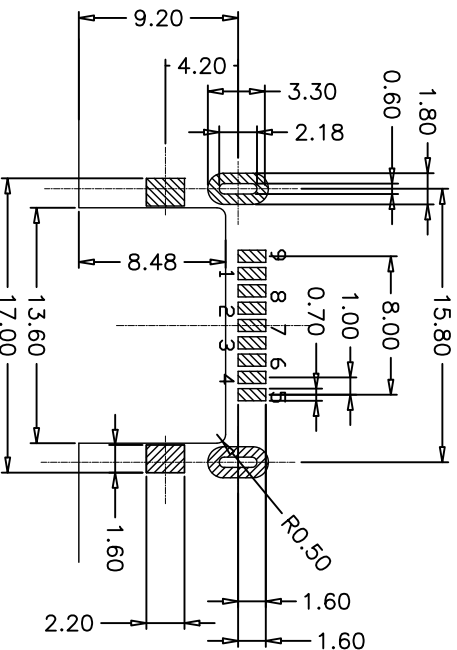
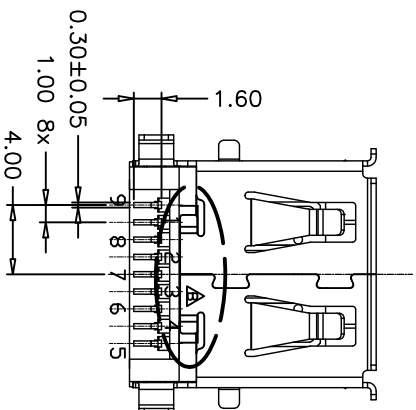
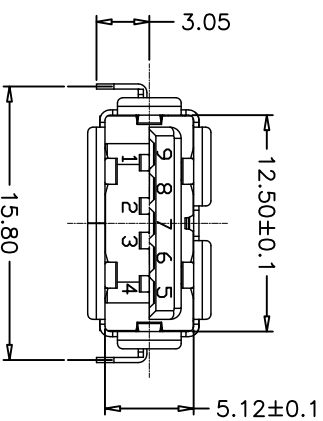
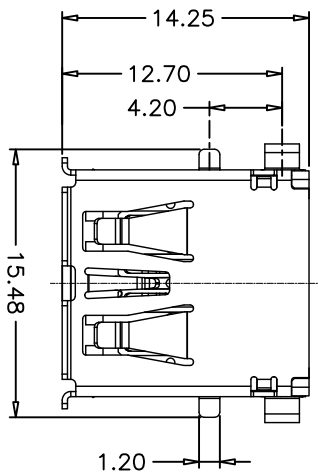
Contact us

Tel: +86-755-8981 8866 Fax: +86-755-8427 6832

Email & Skype: info@chipsmall.com Web: www.chipsmall.com

Address: A1208, Overseas Decoration Building, #122 Zhenhua RD., Futian, Shenzhen, China





NOTES:
 1.ELECTRONIC:
 CONTACT RESISTANCE: 30mohm MAX
 INSULATION RESISTANCE: 100 Mohm MIN
 WITHSTAND VOLTAGE:AC 100V,1min.
 2.MECHANICAL:
 PCBDURABILITY: 1500 CYCLE.
 3.ENVIRONMENT CHARACTERISTICS:
 OPERTING TEMPERATURE:-25°C TD +85°C

Pin #	SIGNAL NAME	DESCRIPTION	MATING SEQUENCE
1	VBUS	POWER	SECOND
2	D-	USB 2.0 DIFFERENTIAL PAIR	THIRD
3	D+	DIFFERENTIAL PAIR	
4	GND	GROUND FOR POWER RETURN	SECOND
5	Stda_SSRx-	SUPERSPEED RECEIVER	LAST
6	Stda_SSRx+	DIFFERENTIAL PAIR	
7	GND_DRAIN	GROUND FOR SIGNAL RETURN	
8	Stda_SSTx-	SUPERSPEED TRANSMITTER	
9	Stda_SSTx+	DIFFERENTIAL PAIR	
Shell	Shield	CONNECTOR METAL SHELL	FRIST

3	SHELL	1	C2680	NI PLATED
2	CONTACT	9	C2680	AU/TIN PLATED
1	HOUSING	1	LCP	<UL 94V-0> BLUE
No.	PART NAME	QTY	MATERIAL	REMARK

RECOMMENDED P.C.B LAYOUT(1.0~1.60±0.05)

-TOLERANCES-

UNLESS OTHERWISE SPECIFIED

Cnc Tech, LLC



TITLE: USB 3.0 AF 沉板SMT 卷边方脚

X.X	± 0.25	X.X°	± 3.00°	APPD:	PRODUCT NO:	1003-002-011100			
X.XX	± 0.20	X.XX°	± 1.00°	CHECK:	DATE	SCALE			
X.XXX	± 0.15	X.XXX°	± 0.500°	DRAW:	2012/04/06	1:1	mm	Z	1 / 1