



Chipsmall Limited consists of a professional team with an average of over 10 year of expertise in the distribution of electronic components. Based in Hongkong, we have already established firm and mutual-benefit business relationships with customers from,Europe,America and south Asia,supplying obsolete and hard-to-find components to meet their specific needs.

With the principle of “Quality Parts,Customers Priority,Honest Operation,and Considerate Service”,our business mainly focus on the distribution of electronic components. Line cards we deal with include Microchip,ALPS,ROHM,Xilinx,Pulse,ON,Everlight and Freescale. Main products comprise IC,Modules,Potentiometer,IC Socket,Relay,Connector.Our parts cover such applications as commercial,industrial, and automotives areas.

We are looking forward to setting up business relationship with you and hope to provide you with the best service and solution. Let us make a better world for our industry!



Contact us

Tel: +86-755-8981 8866 Fax: +86-755-8427 6832

Email & Skype: info@chipsmall.com Web: www.chipsmall.com

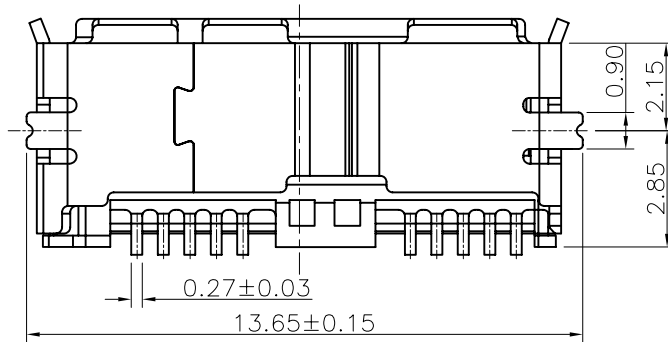
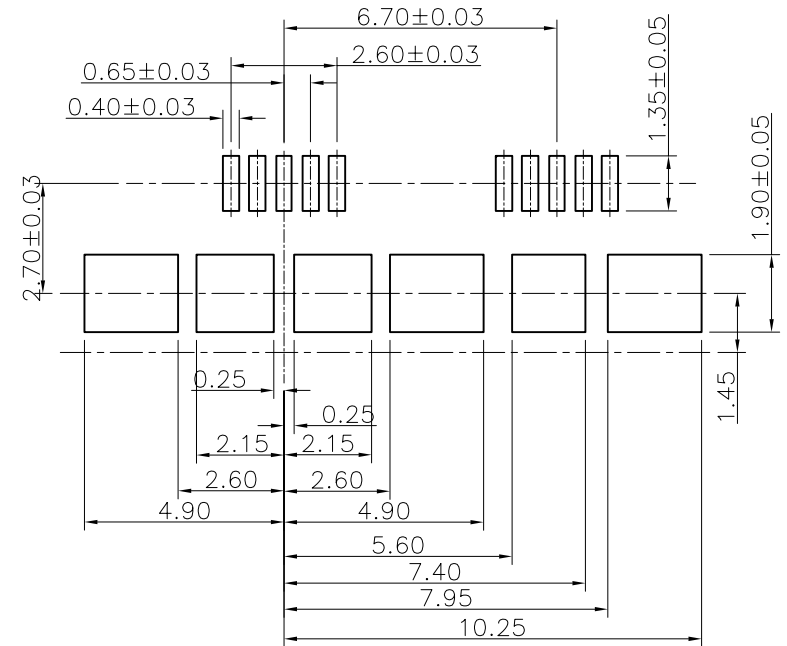
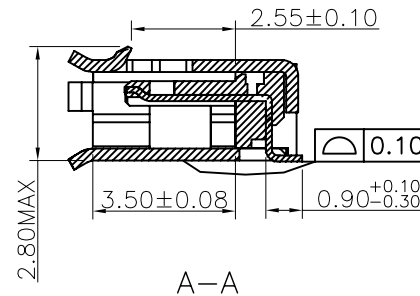
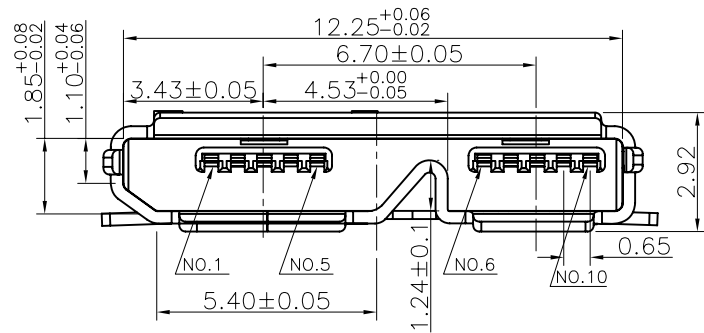
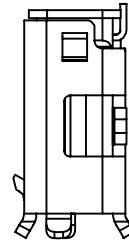
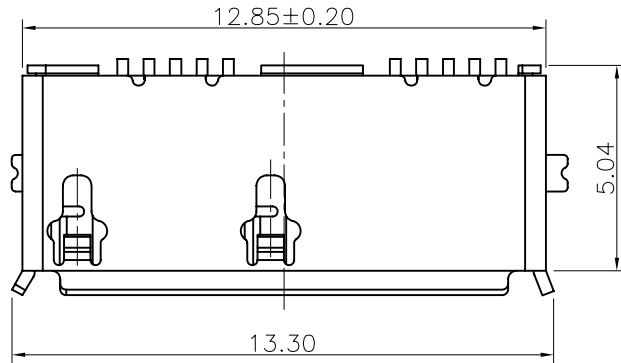
Address: A1208, Overseas Decoration Building, #122 Zhenhua RD., Futian, Shenzhen, China



REV	ECN.NO:	B Y	DATE
A0	NEW DWG	ING	10/06/02

Pin Number	Signal Name
1	VBUS
2	D-
3	D+
4	ID
5	GND
6	MicB_SSTX-
7	MicB_SSTX+
8	GND_DRAIN
9	MicB_SSRX-
10	MicB_SSRX+
Shell	Shield

NOTES:
 INSULATOR:LCP.COLOR-BLACK
 USB CONTACT:BRASS 0.15MM THICKNESS,SELECTIVE GOLD
 PLATED ON CONTACT AREA, GOLD FLASH PLATED
 ON SOLDER TAIL,
 80U" MIN NICKEL UNDERPLATED OVERALL,
 SHELL:0.3MM THICKNESS ,FLASH
 PLATED ON THE SOLDERING TAB.



-TOLERANCES- UNLESS OTHERWISE SPECIFIED		CnC Tech . LLC								
				TITLE: MICRO USB 3.0-B SMT						
X.X	±0.25	X.X°	±3.00°	APPD:		PRODUCT NO: 1003-005-22100				
X.XX	±0.20	X.XX°	±1.00°	CHECK:		DATE	SCALE	UNIT	TYPE	PAGE
X.XXX	±0.10	X.XXX°	±0.05°	DRAW:		2010.06.02	FREE	MM	Z	1