



Chipsmall Limited consists of a professional team with an average of over 10 year of expertise in the distribution of electronic components. Based in Hongkong, we have already established firm and mutual-benefit business relationships with customers from,Europe,America and south Asia,supplying obsolete and hard-to-find components to meet their specific needs.

With the principle of “Quality Parts,Customers Priority,Honest Operation,and Considerate Service”,our business mainly focus on the distribution of electronic components. Line cards we deal with include Microchip,ALPS,ROHM,Xilinx,Pulse,ON,Everlight and Freescale. Main products comprise IC,Modules,Potentiometer,IC Socket,Relay,Connector.Our parts cover such applications as commercial,industrial, and automotives areas.

We are looking forward to setting up business relationship with you and hope to provide you with the best service and solution. Let us make a better world for our industry!



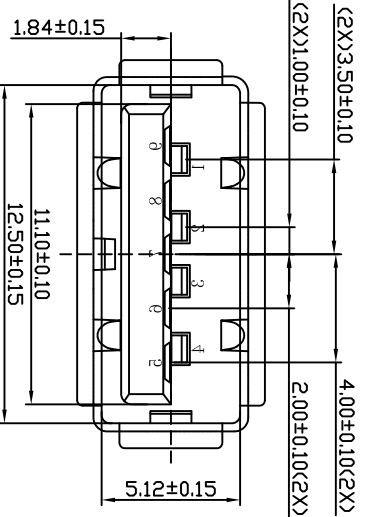
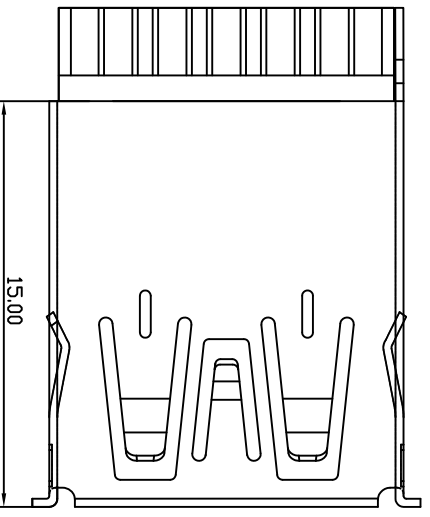
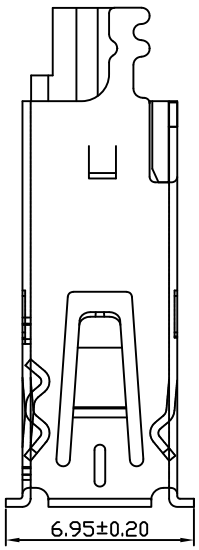
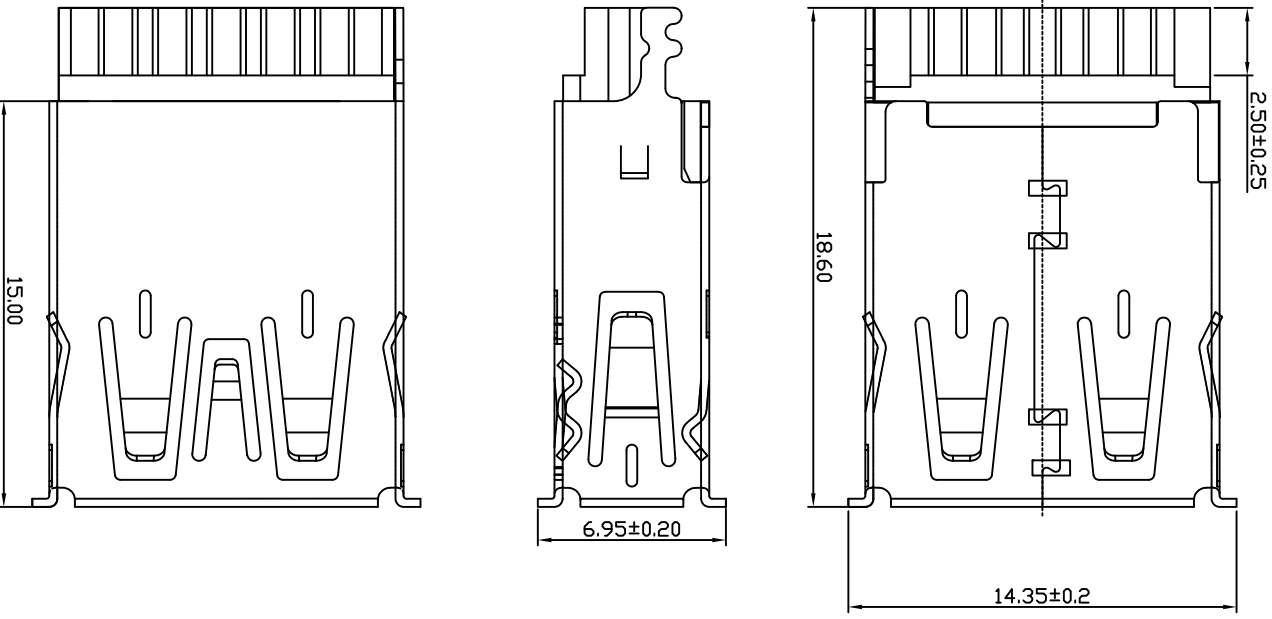
## Contact us

Tel: +86-755-8981 8866 Fax: +86-755-8427 6832

Email & Skype: info@chipsmall.com Web: www.chipsmall.com

Address: A1208, Overseas Decoration Building, #122 Zhenhua RD., Futian, Shenzhen, China



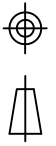


- NOTE:
- MATERIAL:
    - INSULATOR:PBT UL 94V-0
    - CONTACT:4P C2680/5P C5191(T=0.20mm)
    - SHELL:C2680(T=0.30mm)
  - ELECTRICAL CHARACTERISTICS:
    - Current Rating:1.8AMP at 250V AC Voltage Rating:30V
    - Insulation Resistance:100MΩ Min
    - Contact Resistance:30mΩ Max
    - Dielectric Withstanding Voltage:100V AC
    - OPERATING TEMPERATURE:-40°C ~ 85°C
  - MECHANICAL CHARACTERISTICS:
    - MATING FORCE:35 N Max
    - UNMATED FORCE:10 N Min INITIAL; 8 N Min AFTER TEST
    - DURABILITY:1,500 CYCLES
  - PLATING:
    - TERMINAL  
50U" MIN NICKEL ALL OVER  
100U" MIN TIN ON SOLDER AREA  
1~30U" AU ON CONTACT AREA
    - SHELL:100U" MIN NICKEL ALL OVER

Pin #	SIGNAL NAME	DESCRIPTION	MATING SEQUENCE
1	VBUS	POWER	SECOND
2	D-	USB 2.0 DIFFERENTIAL PAIR	THIRD
3	D+	DIFFERENTIAL PAIR	
4	GND	GROUND FOR POWER RETURN	SECOND
5	SldA_SSRX-	SUPER SPEED RECEIVER DIFFERENTIAL PAIR	LAST
6	SldA_SSRX+	DIFFERENTIAL PAIR	
7	GND_DRAIN	GROUND FOR SIGNAL RETURN	
8	SldA_SSTX-	SUPER SPEED TRANSMITTER DIFFERENTIAL PAIR	
9	SldA_SSTX+	DIFFERENTIAL PAIR	
Shell		CONNECTOR METAL SHELL	FRIST

ITEM	DESCRIPTION	MATERIAL	REMARKS
4	HOUSING	PBT	UL94V-0
3	SHELL	SPCC or Brass T=0.3mm	OVEP-PLATING: Ni Or Au
2	5P TERMINAL	Brass T=0.2mm	OVEP-PLATING: Au Ni/Sn
1	4P TERMINAL	Phosphor Bronze T=0.2mm	OVEP-PLATING: Au Ni/Sn

Cnc Tech, LLC



-TOLERANCES-  
UNLESS OTHERWISE SPECIFIED

APPD:	PRODUCT NO:	DATE	SCALE	UNIT	TYPE	PAGE
X.X ± 0.25	X.X° ± 3.00°	2012/04/06	1:1	mm	Z	1 / 1
X.XX ± 0.20	X.XX° ± 1.00°					
X.XXX ± 0.15	X.XXX° ± 0.500°					

TITLE: USB 3.0 AP 180度焊线式

1003-006-01200