



Chipsmall Limited consists of a professional team with an average of over 10 year of expertise in the distribution of electronic components. Based in Hongkong, we have already established firm and mutual-benefit business relationships with customers from,Europe,America and south Asia,supplying obsolete and hard-to-find components to meet their specific needs.

With the principle of “Quality Parts,Customers Priority,Honest Operation,and Considerate Service”,our business mainly focus on the distribution of electronic components. Line cards we deal with include Microchip,ALPS,ROHM,Xilinx,Pulse,ON,Everlight and Freescale. Main products comprise IC,Modules,Potentiometer,IC Socket,Relay,Connector.Our parts cover such applications as commercial,industrial, and automotives areas.

We are looking forward to setting up business relationship with you and hope to provide you with the best service and solution. Let us make a better world for our industry!



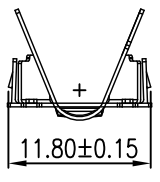
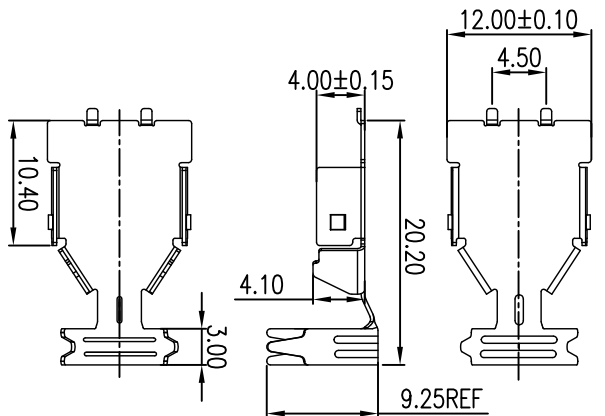
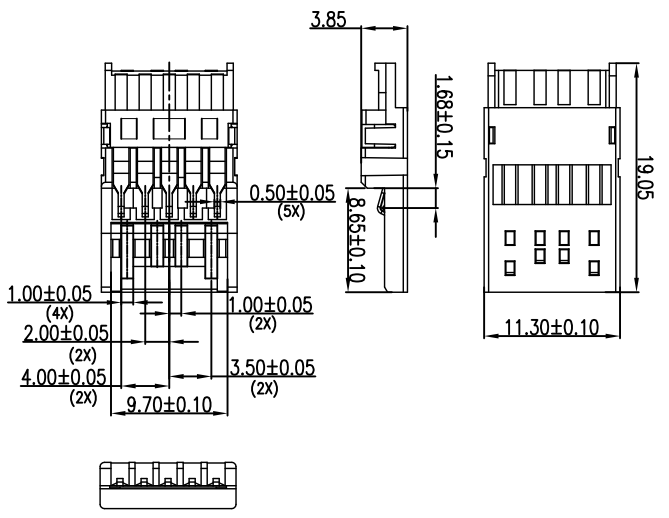
Contact us

Tel: +86-755-8981 8866 Fax: +86-755-8427 6832

Email & Skype: info@chipsmall.com Web: www.chipsmall.com

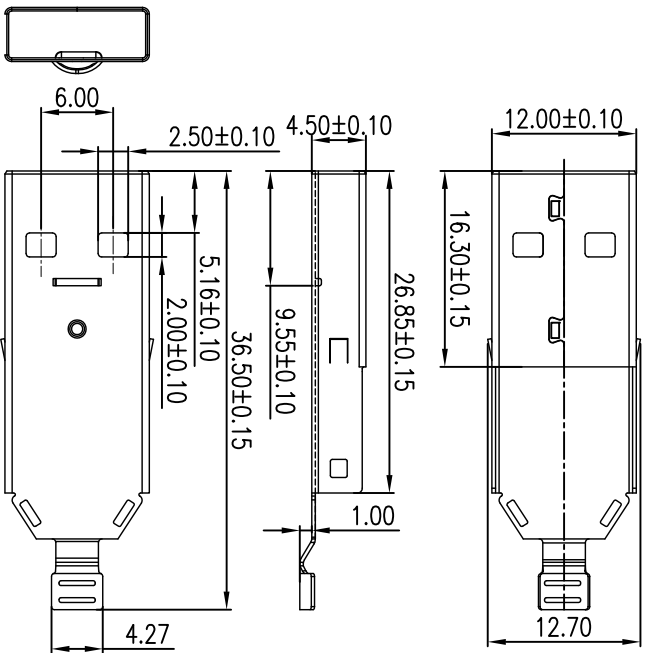
Address: A1208, Overseas Decoration Building, #122 Zhenhua RD., Futian, Shenzhen, China





NOTE:
 1. MATERIAL:
 1.1 INSULATOR: PBT + 30% GF UL 94V-0
 1.2 CONTACT: 4pin BRASS (T=0.20mm)
 5pin BRASS (T=0.25mm)

2. ELECTRICAL CHARACTERISTICS:
 2.1 CONTACT RESISTANCE: 30mΩ Max
 2.2 CONTACT CURRENT RATING: 1.5A
 2.3 DIELECTRIC WITHSTANDING VOLTAGE: 500 V R.M.S.
 2.4 INSULATION RESISTANCE: 100 MEGOHMS Min
 2.5 OPERATING TEMPERATURE: -40°C ~ 85°C
 3. MECHANICAL CHARACTERISTICS:
 3.1 MATING FORCE: 35 N Max
 3.2 UNMATED FORCE: 10 N Min INITIAL; 8 N Min AFTER TEST
 3.3 DURABILITY: 5,000 CYCLES
 4. PLATING
 4.1 TERMINAL CONTACT: GOLD PLATING ALL OVER 50U" MIN NICKEL AND 80U" MIN Matte Tin ALL OVER 50U" MIN NICKEL IN SOLDER AREA
 4.2 SHELL: 50U" MIN. NICKEL ALL OVER



2014/06/06	Jody	Structural changes	A1
2012/03/06	XIE	NEW DWG	A0
DATE	DR. BY	ECN. NO.	DESCRIPTION
			MARK
			VER.
-TOLERANCES- UNLESS OTHERWISE SPECIFIED			
X.X	±0.25	X.X'	±3.00"
X.XX	±0.20	X.XX'	±1.00"
X.XXX	±0.15	X.XXX'	±0.500"
TITLE: USB 3.0 9P A/M ASSEMBLY 15U" Blue		PRODUCT NO: 1003-023-01300	
DATE	SCALE	UNIT	TYPE
2012/04/06	1:1	mm	Z
			PAGE
			1/1

Cnc Tech, LLC