



Chipsmall Limited consists of a professional team with an average of over 10 year of expertise in the distribution of electronic components. Based in Hongkong, we have already established firm and mutual-benefit business relationships with customers from,Europe,America and south Asia,supplying obsolete and hard-to-find components to meet their specific needs.

With the principle of “Quality Parts,Customers Priority,Honest Operation,and Considerate Service”,our business mainly focus on the distribution of electronic components. Line cards we deal with include Microchip,ALPS,ROHM,Xilinx,Pulse,ON,Everlight and Freescale. Main products comprise IC,Modules,Potentiometer,IC Socket,Relay,Connector.Our parts cover such applications as commercial,industrial, and automotives areas.

We are looking forward to setting up business relationship with you and hope to provide you with the best service and solution. Let us make a better world for our industry!



Contact us

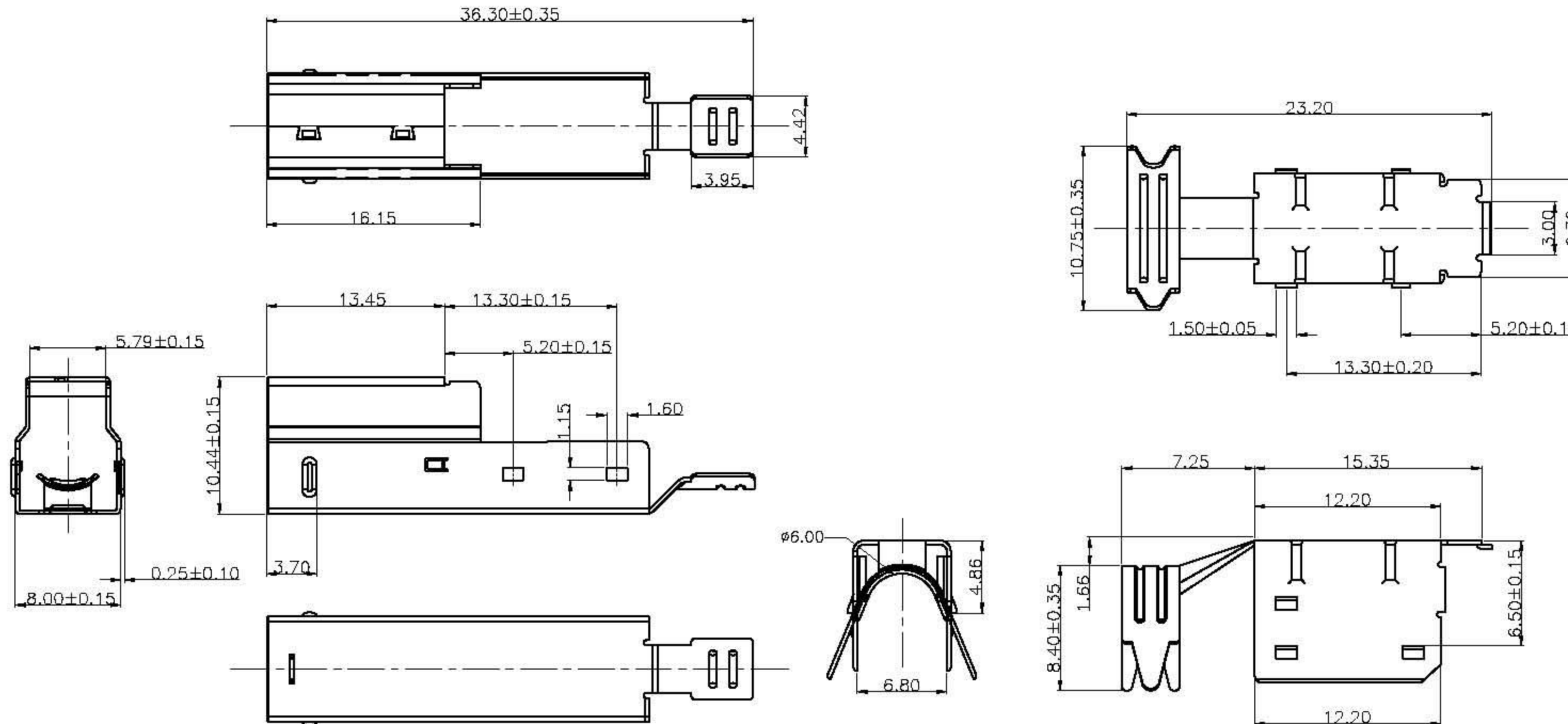
Tel: +86-755-8981 8866 Fax: +86-755-8427 6832

Email & Skype: info@chipsmall.com Web: www.chipsmall.com

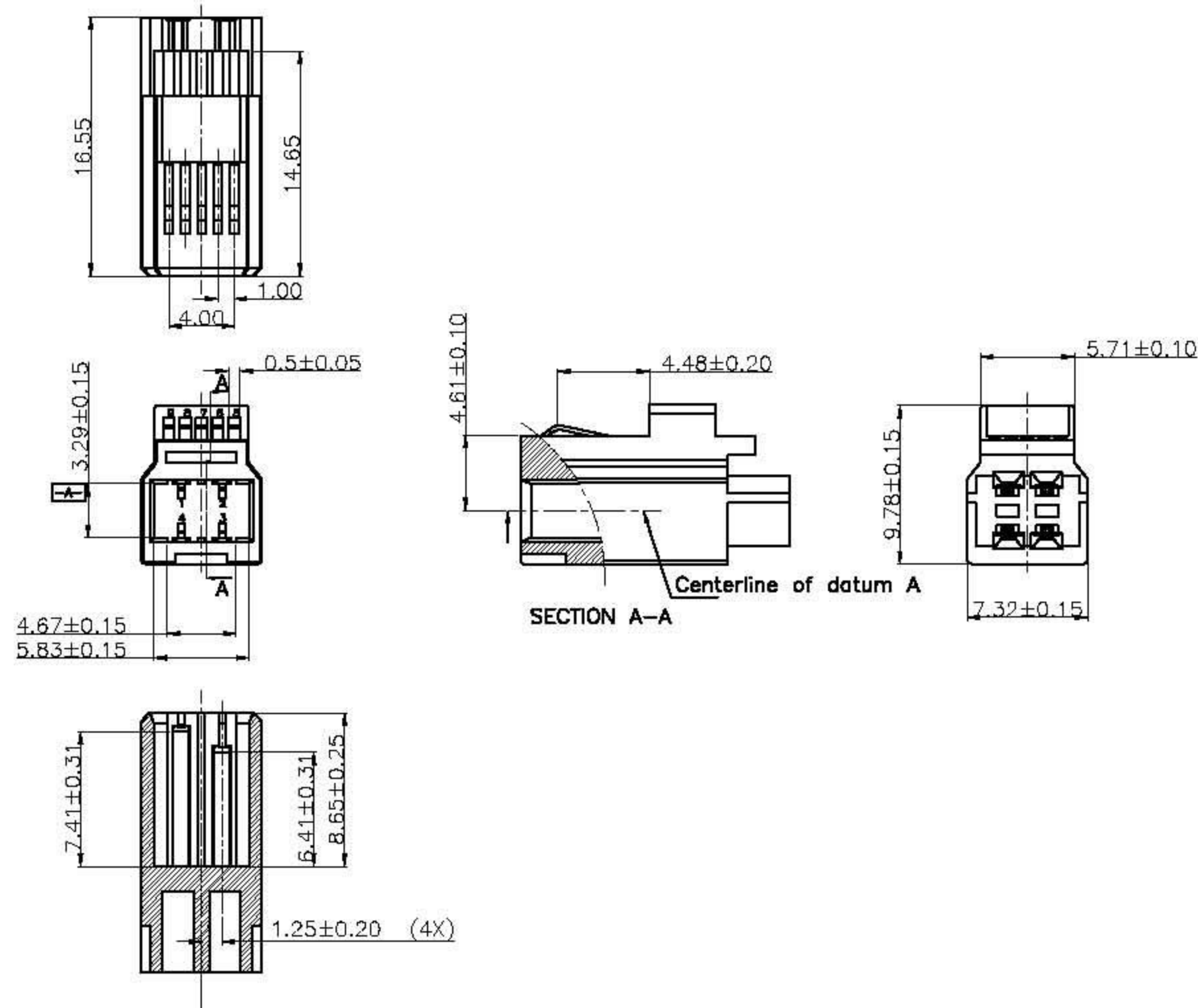
Address: A1208, Overseas Decoration Building, #122 Zhenhua RD., Futian, Shenzhen, China



REV	ECN.NO:	B Y	DATE
A0	NEW DWG	ING	10/10/15



NOTE
MATERIAL
NOTE:
HOUSING:PBT,UL94V-0.
SHELL:SPCC,T=0.30mm
CONTACT:C2680 T=0.20mm 4PCS
C5210 T=0.25mm 5PCS
CONTACT PLATE WITH GOLD PLATE 15U"
SHELL:NICKEL OVER ALL PLATING
DIELECTRIC WITHSTANDING VOLTAGE:100V AC(RMS)
CONTACT RESISTANCE:
30MΩ MAX For Pin1&Pin4;
50MΩ MAX For Other contacts.
INSULATION RESISTANCE:100MΩ MIN
TEMPERATURE RANGE: -20°C~+85°C.
MECHANICAL CHARACTERISTICS:
INSERTION FORCE: 35 NEWTONS MAXIMUM
EXTRACTION FORCE: 10 NEWTONS MINIMUM



-TOLERANCES- UNLESS OTHERWISE SPECIFIED		CnC Tech . LLC							
				TITLE: USB 3.0 B/M ASSY TYPE 15U"					
X.X	±0.25	X.X"	±3.00"	APPD:	PRODUCT NO: 1003-025-02300				
X.XX	±0.20	X.XX"	±1.00"	CHECK:	DATE	SCALE	UNIT	TYPE	PAGE
X.XXX	±0.15	X.XXX"	±0.05"	DRAW:	2010.10.15	FREE	MM	Z	1