



Chipsmall Limited consists of a professional team with an average of over 10 year of expertise in the distribution of electronic components. Based in Hongkong, we have already established firm and mutual-benefit business relationships with customers from,Europe,America and south Asia,supplying obsolete and hard-to-find components to meet their specific needs.

With the principle of "Quality Parts,Customers Priority,Honest Operation,and Considerate Service",our business mainly focus on the distribution of electronic components. Line cards we deal with include Microchip,ALPS,ROHM,Xilinx,Pulse,ON,Everlight and Freescale. Main products comprise IC,Modules,Potentiometer,IC Socket,Relay,Connector.Our parts cover such applications as commercial,industrial, and automotives areas.

We are looking forward to setting up business relationship with you and hope to provide you with the best service and solution. Let us make a better world for our industry!



Contact us

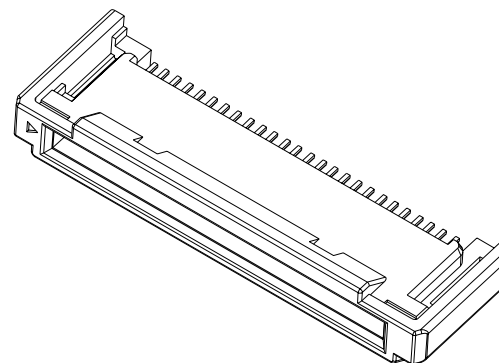
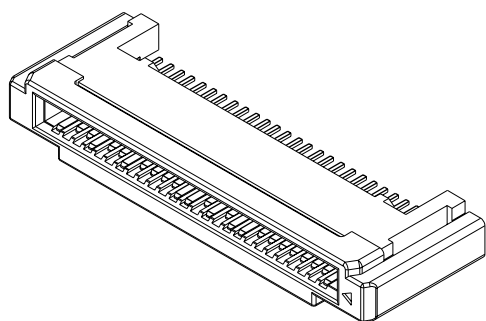
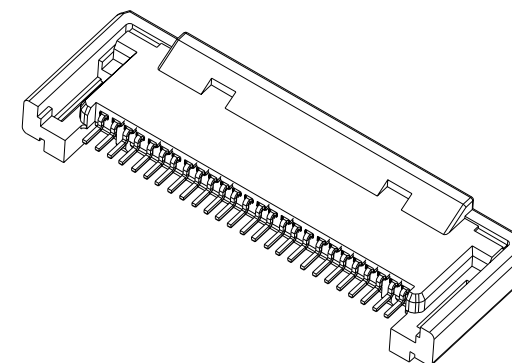
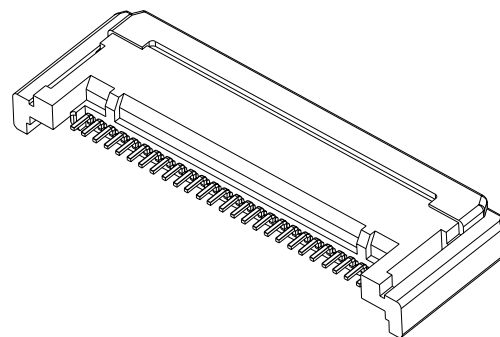
Tel: +86-755-8981 8866 Fax: +86-755-8427 6832

Email & Skype: info@chipsmall.com Web: www.chipsmall.com

Address: A1208, Overseas Decoration Building, #122 Zhenhua RD., Futian, Shenzhen, China



PRODUCT NUMBER	REMARK
10030570-1XXXLF	SEE NOTE 3
10030570-2XXXLF	SEE NOTE 3
10030570-3XXXLF	SEE NOTE 3
10030570-6XXXLF	SEE NOTE 3



NOTES:

- MATERIAL : HIGH TEMPERATURE THERMOPLASTIC, UL 94V-0 FLAME RETARDANT.
TERMINAL : COPPER ALLOY.
PLATING SPEC. AS BELOW :
Ni 50u" UNDER PLATED.
Au 30u" OVER CONTACT AREA. (ONE SIDE)
Matte Tin 120u" OVER SOLDERING AREA.
- PRODUCT PERFORMANCE PER SPEC. GS-12-292, "LF" MEANS LEAD FREE.
- PART NUMBER SCHEME :
10030570- X X X X LF

PACKAGING
2: TAPE AND REEL
3: TRAY

CONTACT PLATING
1: GOLD
2: GXT

PLASTIC COLOR
1: BLACK

SOLDER TAIL OFFSET
1: +0.00
2: +0.30
3: +0.60
6: +1.15

4. THIS PRODUCT IS RoHS COMPLIANT, AND MEETS EUROPEAN UNION DIRECTIVES AND OTHER COUNTRY REGULATIONS AS PER GS-22-008.

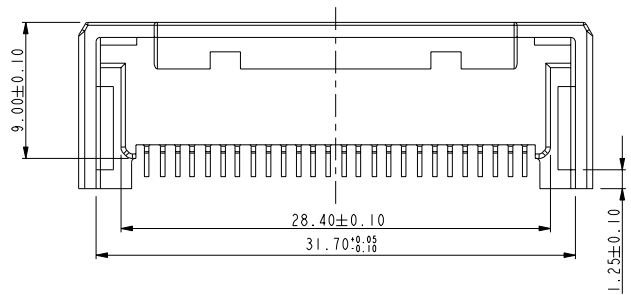
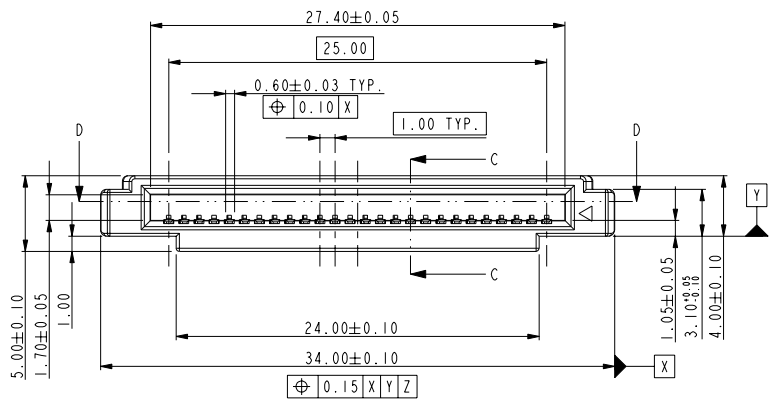
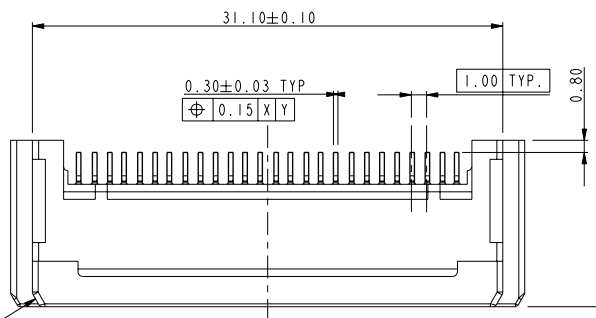
rev	ecn no	dr	date
H	T07-0062	H B	2007/03/08
J	N07-0164	MIAO	2007/07/16
K	N07-0181	MIAO	2007/08/08
L	N08-0025	R.B	2008/01/29
M	N10-0341	SH	10/08/2010
-	-	-	-
-	-	-	-

www.fciconnect.com			surface <input checked="" type="checkbox"/>	tolerance std	projection	MM
			TOLERANCES UNLESS OTHERWISE SPECIFIED			
Dr	Rick Bian	2007/08/23	ANGULAR	LINEAR	0.X	±0.50
Eng	Rick Bian	2007/08/23			0.XX	±0.30
Chr	Daniel Tao	2007/08/23	0°	±3°	0.XXX	±
Appr	JOSEPH HSIA	2007/08/23	Product family		Spec ref	
FCI			title		dwg no	Rev.
			EXPRESSCARD MODULE CONNECTOR		10030570	M
			EXPRESSCARD MODULE CARD KIT			
			catalog no	10030570	CUSTOMER	sheet 1 of 4

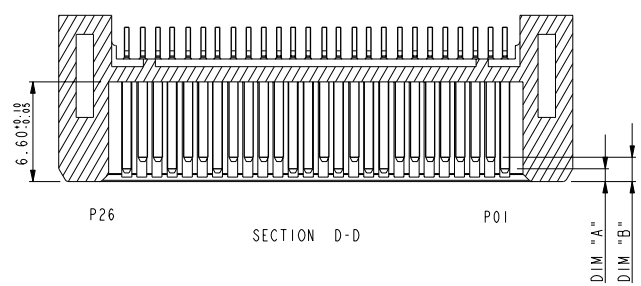


Copyright FCI.

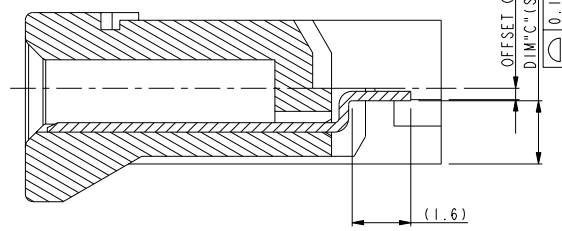
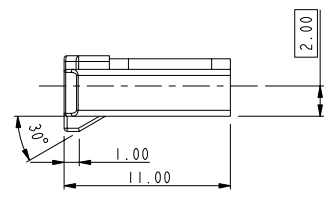
A
B
C
D



SCALE 2.000



FIRST LEVEL		SECOND LEVEL	
DIM. "A"	PIN #	DIM. "B"	PIN #
0.75	1, 9, 10, 12, 14, 15, 20, 23, 26	1.50	2-8, 11, 13, 16-19, 21, 22, 24, 25



SECTION C-C
SCALE 5.000

PART NO.	OFFSET OPTION	DIM "C"	TOLERANCE
10030570-1XXXLF	OFFSET +0.00	1.95	+0.10 -0.10
10030570-2XXXLF	OFFSET +0.30	1.65	
10030570-3XXXLF	OFFSET +0.60	1.35	
10030570-6XXXLF	OFFSET +1.15	0.80	

www.fciconnect.com			surface <input checked="" type="checkbox"/>	tolerance std	projection	MM
TOLERANCES UNLESS OTHERWISE SPECIFIED						
Dr	Rick Bian	2007/08/23	ANGULAR	LINEAR	0.X	±0.50
Eng	Rick Bian	2007/08/23			0.XX	±0.30
Chr	Daniel Tao	2007/08/23			0.XXX	±
Appr	JOSEPH HSIA	2007/08/23	Product family		ECN	Scale 2.000
title EXPRESSCARD MODULE CONNECTOR					Spec ref	
title EXPRESSCARD MODULE CARD KIT					Rev. M	
catalog no 10030570			customer		sheet 2 of 4	

REV F - 2006-04-11



Copyright FCI.

A

B

C

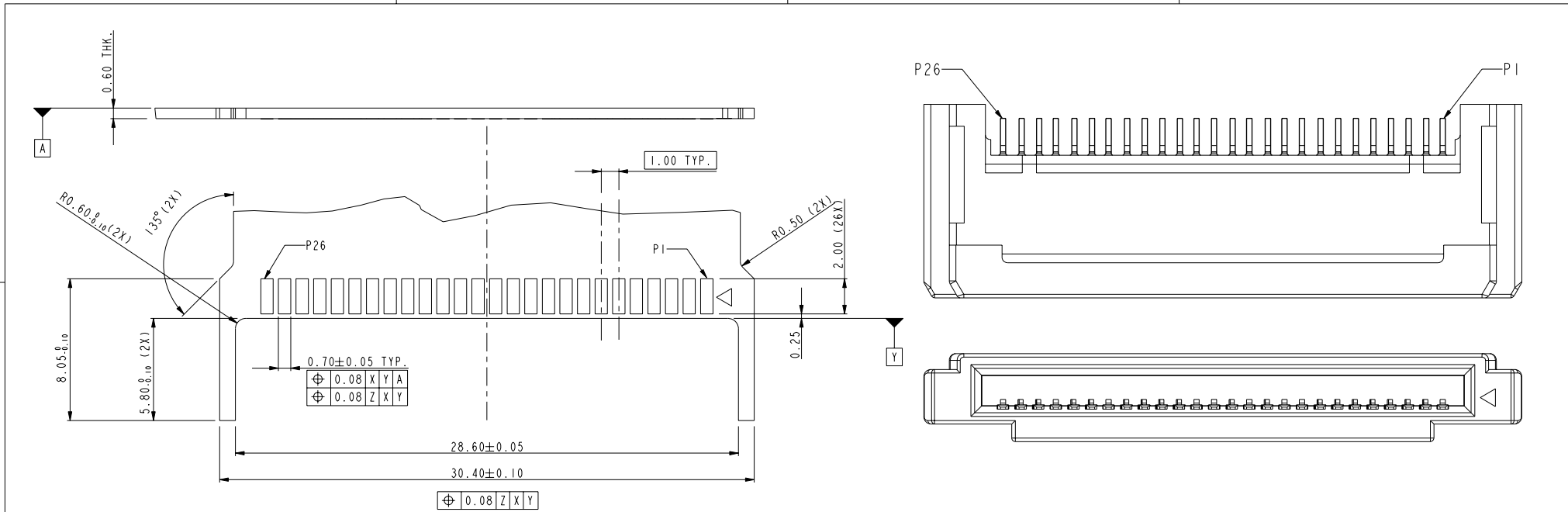
D

A

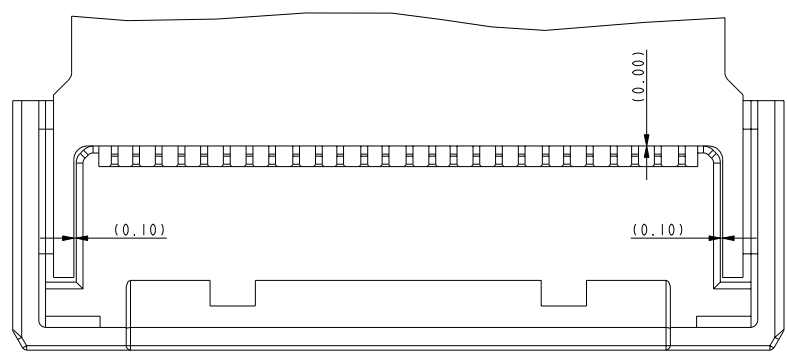
B

C

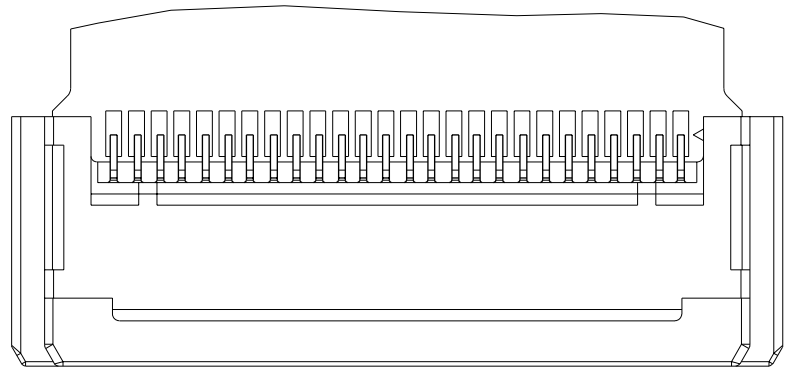
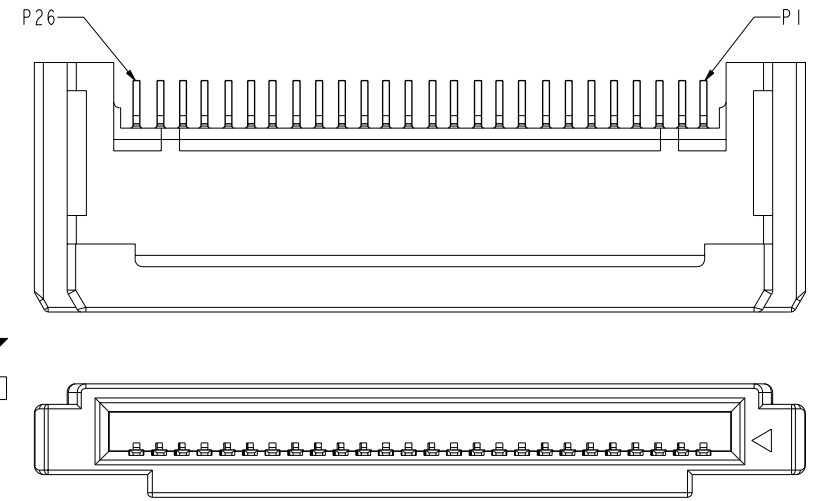
D



RECOMMENDED PCB LAYOUT



PCB ASSEMBLY REFERENCE

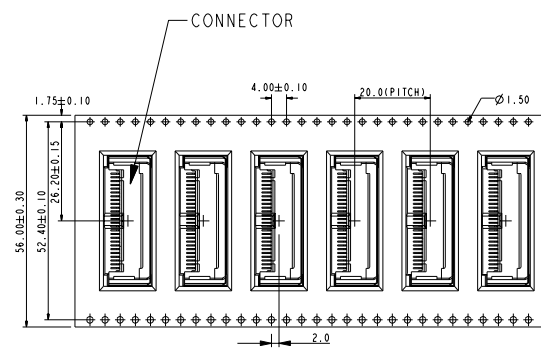
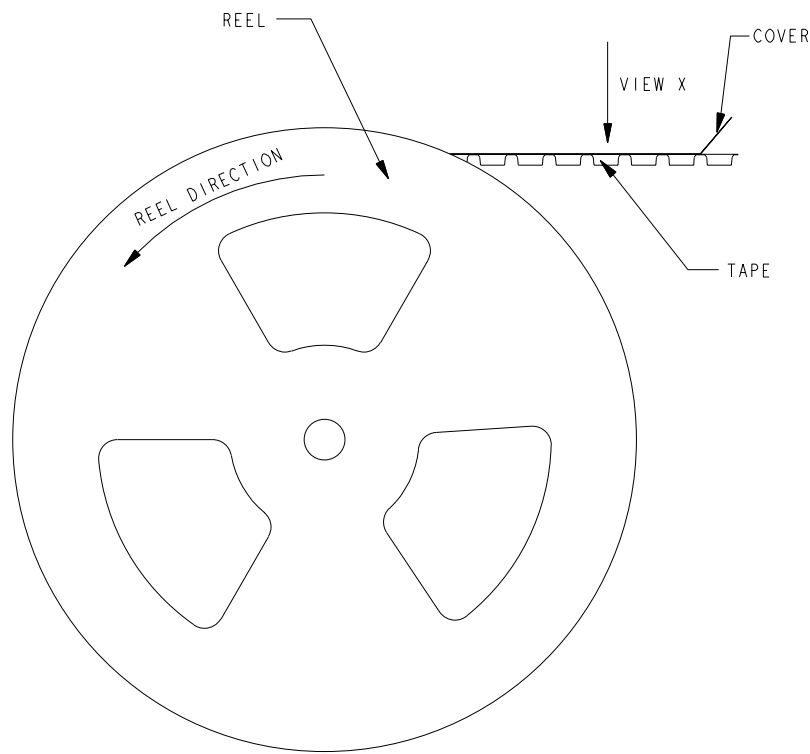
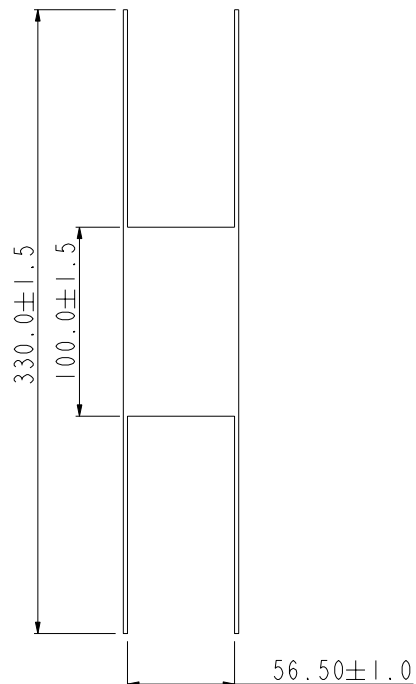


www.fciconnect.com			surface	<input checked="" type="checkbox"/>	tolerance std	projection	MM	
			TOLERANCES UNLESS OTHERWISE SPECIFIED				←→	
Dr	Rick Bian	2007/08/23	ANGULAR	LINEAR	0.X	±0.50	size A4	Scale 1.000
Eng	Rick Bian	2007/08/23			0.XX	±0.30		
Chr	Daniel Tao	2007/08/23	0°	±3°	0.XXX	±	ECN	
Appr	JOSEPH HSIA	2007/08/23	Product family			Spec ref		
		title		EXPRESSCARD MODULE CONNECTOR		dwg no		Rev. M
				EXPRESSCARD MODULE CARD KIT		10030570		
		catalog no		10030570		CUSTOMER		sheet 3 of 4

REV F - 2006-04-11



Copyright FCI.



VIEW X, SCALE 2:1

www.fciconnect.com			surface	<input checked="" type="checkbox"/>	tolerance std	projection	MM	
			TOLERANCES UNLESS OTHERWISE SPECIFIED					
Dr	Rick Bian	2007/08/23	ANGULAR	LINEAR	0.X	±0.50	size A4	Scale 1.000
Eng	Rick Bian	2007/08/23			0.XX	±0.30		
Chr	Daniel Tao	2007/08/23	0°	±3°	0.XXX	±	ECN	
Appr	JOSEPH HSIA	2007/08/23	Product family			Spec ref		
		title		EXPRESSCARD MODULE CONNECTOR		dwg no		Rev.
				EXPRESSCARD MODULE CARD KIT		10030570		M
		catalog no		10030570		CUSTOMER		sheet 4 of 4

REV F - 2006-04-17

PDM: Rev:M

STATUS Released

4 Printed: Oct 12, 2010