



Chipsmall Limited consists of a professional team with an average of over 10 year of expertise in the distribution of electronic components. Based in Hongkong, we have already established firm and mutual-benefit business relationships with customers from,Europe,America and south Asia,supplying obsolete and hard-to-find components to meet their specific needs.

With the principle of “Quality Parts,Customers Priority,Honest Operation,and Considerate Service”,our business mainly focus on the distribution of electronic components. Line cards we deal with include Microchip,ALPS,ROHM,Xilinx,Pulse,ON,Everlight and Freescale. Main products comprise IC,Modules,Potentiometer,IC Socket,Relay,Connector.Our parts cover such applications as commercial,industrial, and automotives areas.

We are looking forward to setting up business relationship with you and hope to provide you with the best service and solution. Let us make a better world for our industry!



Contact us

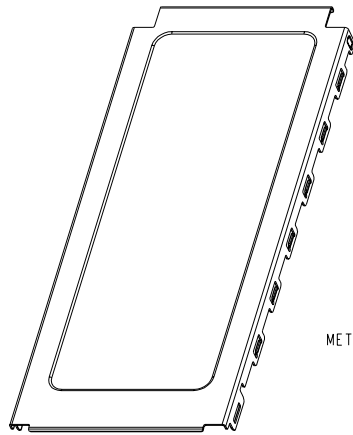
Tel: +86-755-8981 8866 Fax: +86-755-8427 6832

Email & Skype: info@chipsmall.com Web: www.chipsmall.com

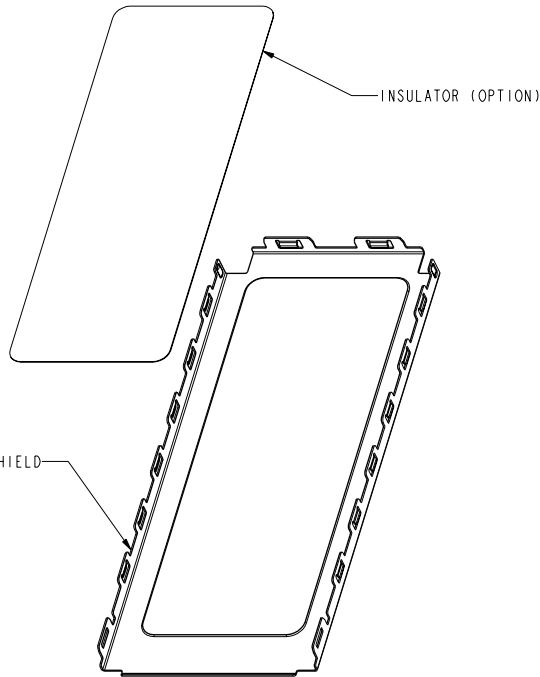
Address: A1208, Overseas Decoration Building, #122 Zhenhua RD., Futian, Shenzhen, China



PRODUCT NO.	INSULATOR	THERMOCOMPRESSION TAPE
10030573-100LF	NO	NO
10030573-110LF	YES	NO
10030573-200LF	NO	NO
10030573-201LF	NO	YES
10030573-210LF	YES	NO
10030573-300LF	NO	NO
10030573-310LF	YES	NO

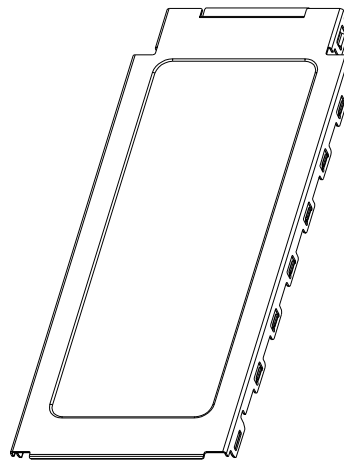


10030573-1X0LF

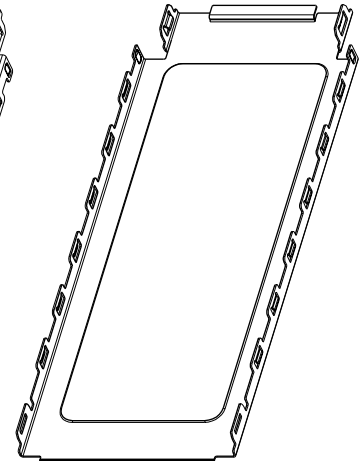


INSULATOR (OPTION)

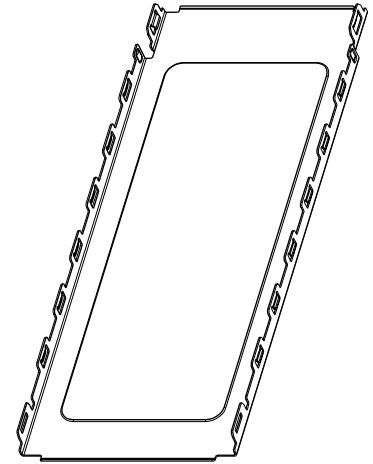
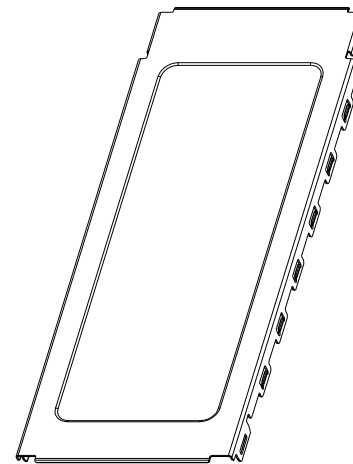
METAL SHIELD



10030573-2X0LF



10030573-3X0LF



NOTES:

- MATERIAL PROPERTIES:
 METAL SHIELD : STAINLESS STEEL, SURFACE FINISH : MATTE.
 INSULATOR : POLYESTER FILM WITH ADHESIVE, 3M 1350 OR EQUIVALENT.

- PART NUMBER SCHEME:
 10030573- X X X L F

- 0: WITHOUT THERMOCOMPRESSION TAPE
- 1: WITH THERMOCOMPRESSION TAPE

- INSULATOR
- 0: NO
- 1: STANDARD

- SHIELD TYPE NO.
- 1: STANDARD (CLOSE-END)
- 2: EXTENDED (OPEN-END)

- PRODUCT PERFORMANCE PER SPEC. GS-12-292.
- PACKAGING SPEC. PER GS-14-927.
- THIS PRODUCT IS ROHS COMPLIANT, AND MEETS EUROPEAN UNION DIRECTIVES AND OTHER COUNTRY REGULATIONS AS PER GS-22-008.
- DATE CODE FORMAT: WWYY; FOR EXAMPLE: 2207 MEANS WEEK 22 AND YEAR 2007.

rev	ecn no	dr	date
H	N07-0078	HB	2007-03-16
J	N07-0147	LONG	2007-06-29
K	N07-0201	SH	2007-07-28
L	N08-0247	R.B	2008/11/12

www.fciconnect.com		surface	<input checked="" type="checkbox"/> tolerance std	projection	MM
		TOLERANCES UNLESS OTHERWISE SPECIFIED			
Dr	DAVID TENG	2004-10-04	ANGULAR	size	A4
Eng	DAVID TENG	2004-10-04	LINEAR	Scale	1.000
Chr	PAUL WANG	2004-10-04	0° ±2°	ECN	N08-0247
Appr	JOSEPH HSIA	2004-10-04	Product family		Spec ref
		title		dwg no	Rev.
		TOP SHIELD SUB-ASSEMBLY		10030573	L
		EXPRESSCARD/34 MODULE CARD KIT		CUSTOMER	sheet 1 of 5
		catalog no	10030573		

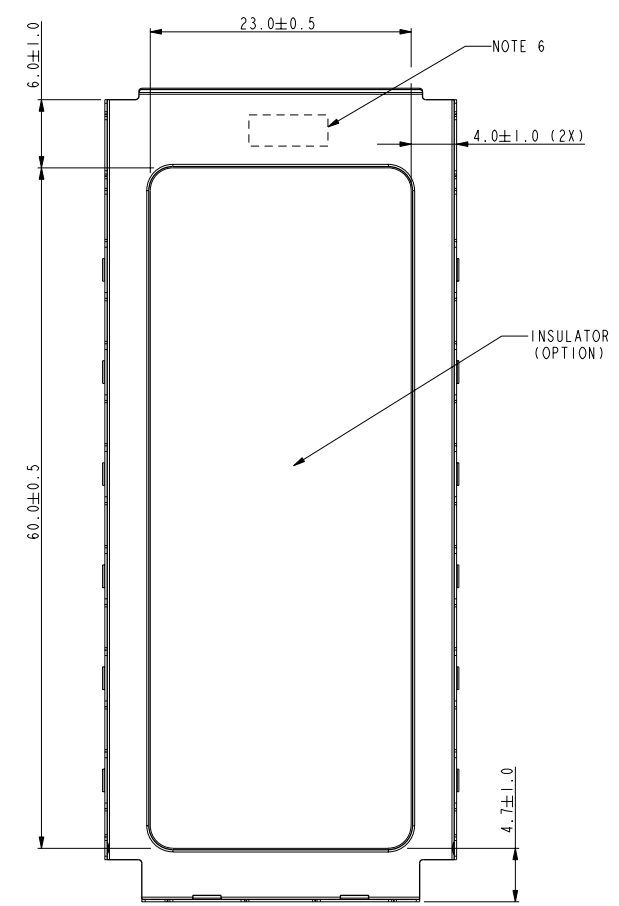
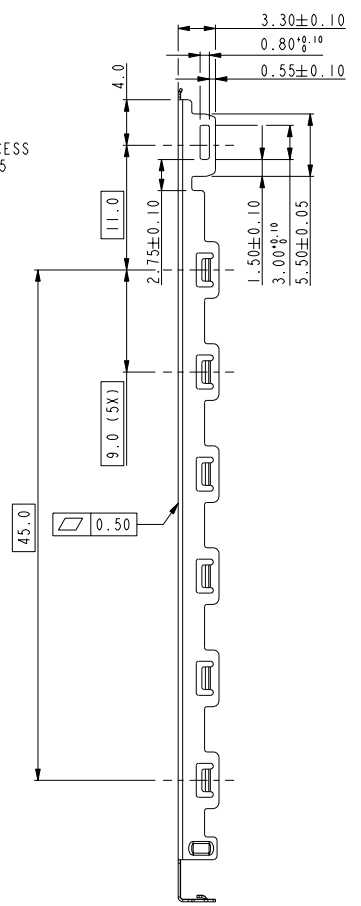
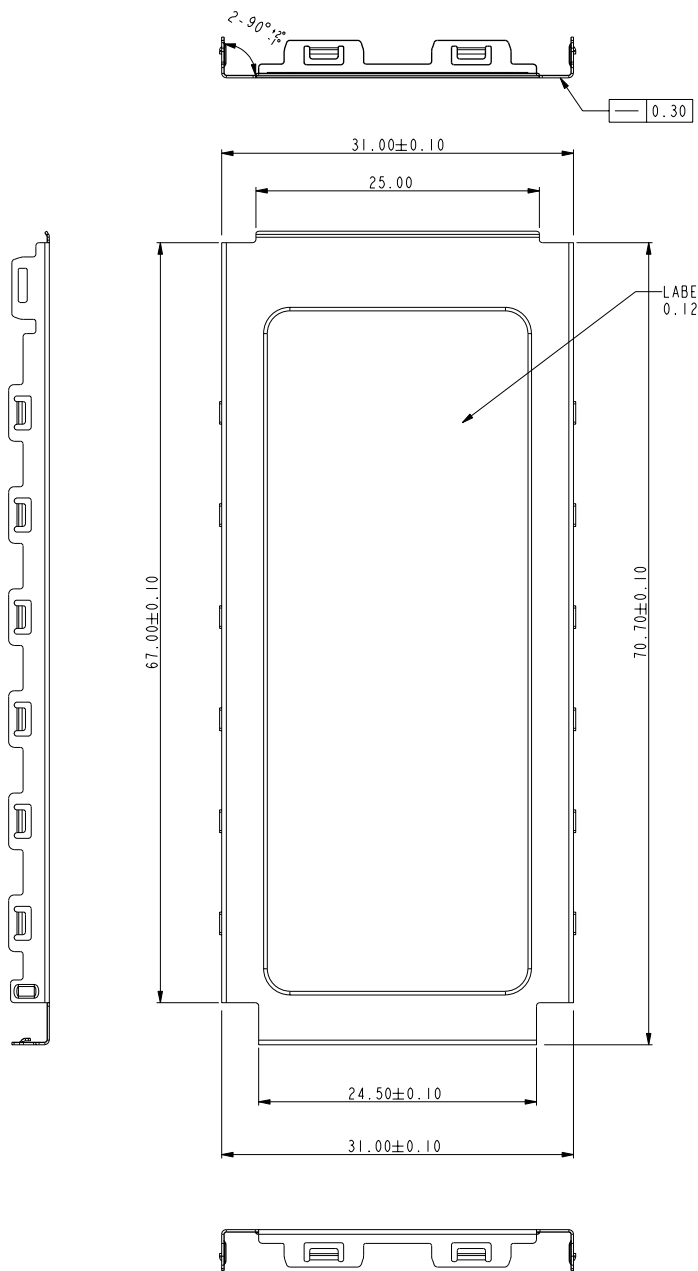


Copyright FCI.



Copyright FCI.

PRODUCT NO.
10030573-1XOLF



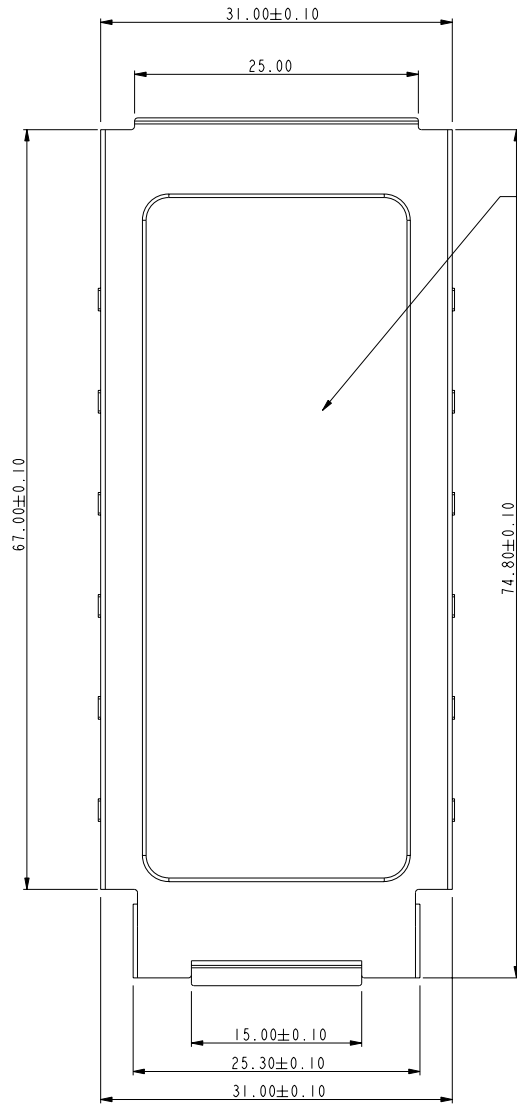
www.fciconnect.com			surface	<input checked="" type="checkbox"/>	tolerance std	projection	MM	
			TOLERANCES UNLESS OTHERWISE SPECIFIED					
Dr	David Teng	2004-10-04	ANGULAR	LINEAR	0.X	±0.30	size A4	Scale 1.000
Eng	David Teng	2004-10-04			0.XX	±0.15		
Chr	Paul Wang	2004-10-04			0.XXX	±0.08		
Appr	Joseph Hsia	2004-10-04	Product family			ECN	N08-0247	
						Spec ref	*	
		title TOP SHELL SUB-ASSEMBLY			dwg no 10030573		Rev. L	
		EXPRESSCARD /34 MODULE CARD KIT			CUSTOMER		sheet 2 of 5	
		catalog no						

REV F - 2006-04-11

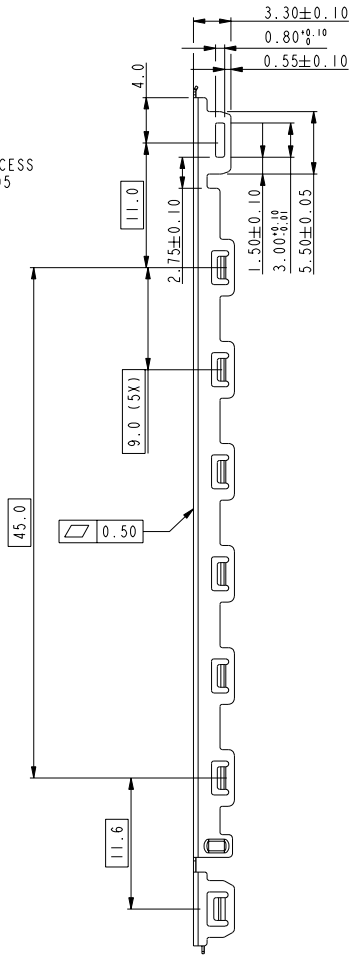


Copyright FCI.

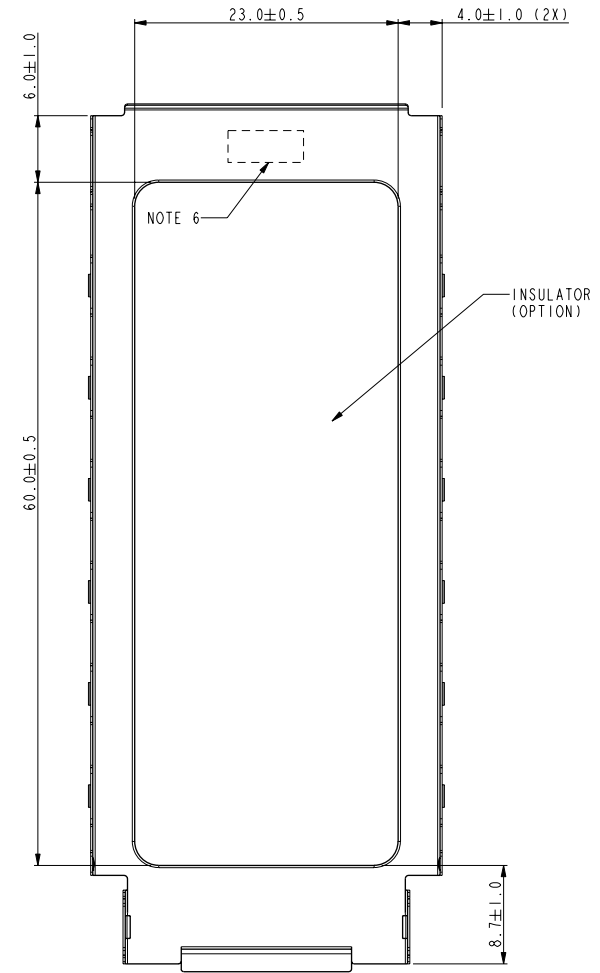
PRODUCT NO.
10030573-2X0LF



LABEL RECESS
0.12±0.05



DETAIL B
SCALE 5.000



www.fciconnect.com				surface	<input checked="" type="checkbox"/>	tolerance std	projection	MM	
				TOLERANCES UNLESS OTHERWISE SPECIFIED					
Dr	David Teng	2004-10-04	ANGULAR	LINEAR	0.X	±0.30	size	A4	
Eng	David Teng	2004-10-04			0.XX	±0.15			
Chr	Paul Wang	2004-10-04			0.XXX	±0.08			
Appr	Joseph Hsia	2004-10-04	Product family				Spec ref	*	
FCI				title TOP SHELL SUB-ASSEMBLY				dwg no 10030573	
				EXPRESSCARD /34 MODULE CARD KIT				Rev. L	
catalog no				CUSTOMER				sheet 3 of 5	

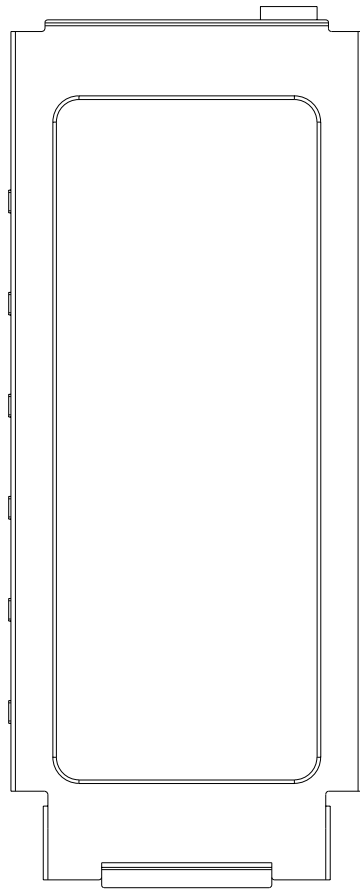
PRODUCT NO.
10030573-201LF

A

B

C

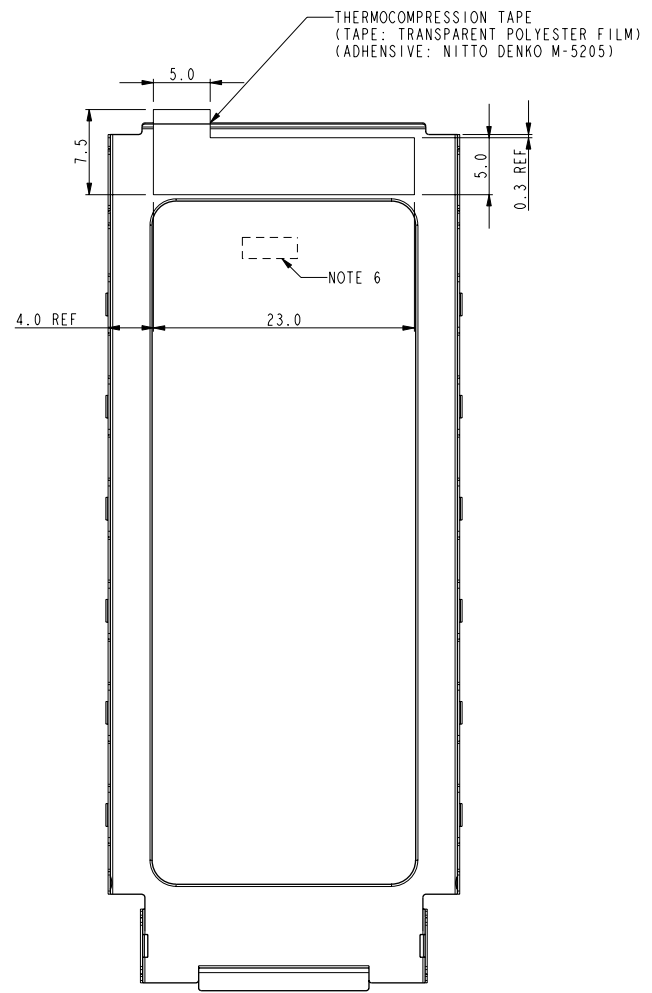
D



2

3

4



A

B

C

D

NOTE: ALL DIMENSITONS REFER TO 10030573-2X0LF EXCEPT THERMOCOMPRESSION TAPE



Copyright FCI.

www.fciconnect.com			surface <input checked="" type="checkbox"/>	tolerance std	projection	MM		
			TOLERANCES UNLESS OTHERWISE SPECIFIED					
Dr	David Teng	2004-10-04	ANGULAR	LINEAR	0.X	±0.30	size A4	Scale 1.000
Eng	David Teng	2004-10-04			0.XX	±0.15		
Chr	Paul Wang	2004-10-04			0°	±2°	0.XXX	±0.08
Appr	Joseph Hsia	2004-10-04	Product family			Spec ref *		
		title TOP SHELL SUB-ASSEMBLY			dwg no 10030573		Rev. L	
		catalog no			CUSTOMER		sheet 4 of 5	

REV F - 2006-04-17

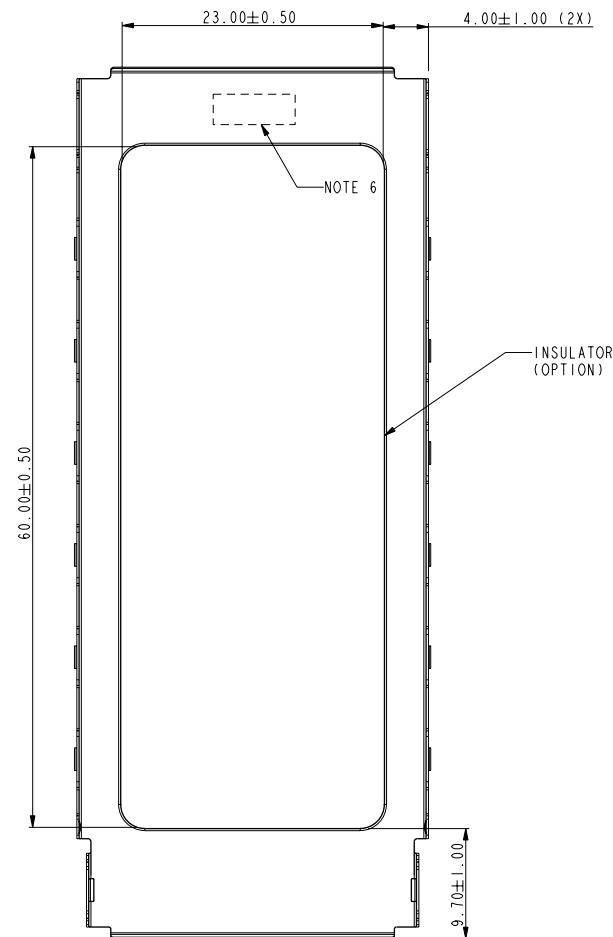
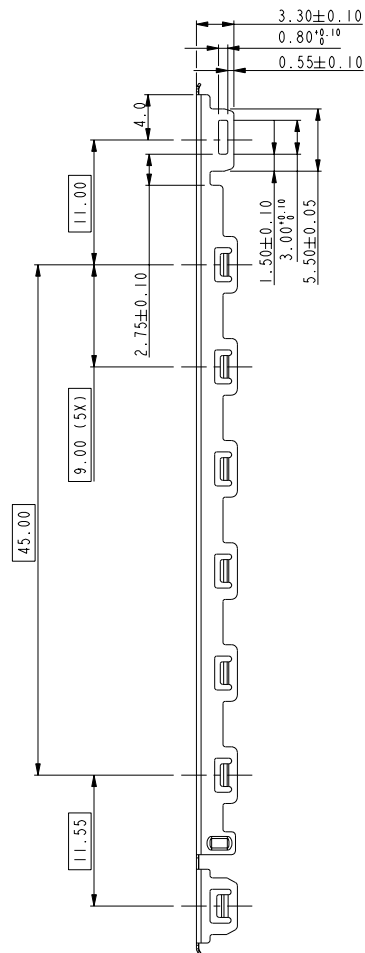
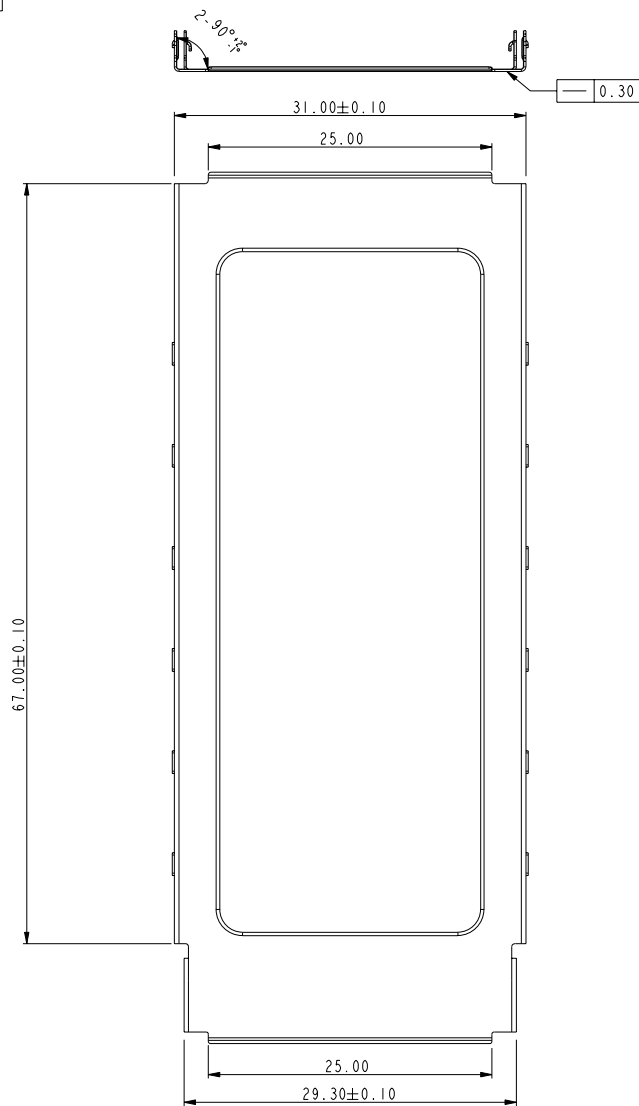
2

3 PDM: Rev:L

STATUS Released

4 Printed: Oct 12, 2010

PART NUMBER
10030573-3XOLF



www.fciconnect.com			surface	<input checked="" type="checkbox"/>	tolerance std	projection	MM	
			TOLERANCES UNLESS OTHERWISE SPECIFIED					
Dr	David Teng	2004-10-04	ANGULAR	LINEAR	0.X	±0.30	size A4	Scale 1.500
Eng	David Teng	2004-10-04			0.XX	±0.15	ECN	N08-0247
Chr	Paul Wang	2004-10-04	0°	±2°	0.XXX	±0.08	Spec ref *	
Appr	Joseph Hsia	2004-10-04	Product family			Spec ref *		
		title TOP SHELL SUB-ASSEMBLY EXPRESSCARD /34 MODULE CARD KIT			dwg no 10030573		Rev. L	
		catalog no			CUSTOMER		sheet 5 of 5	



Copyright FCI.