



Chipsmall Limited consists of a professional team with an average of over 10 year of expertise in the distribution of electronic components. Based in Hongkong, we have already established firm and mutual-benefit business relationships with customers from,Europe,America and south Asia,supplying obsolete and hard-to-find components to meet their specific needs.

With the principle of "Quality Parts,Customers Priority,Honest Operation,and Considerate Service",our business mainly focus on the distribution of electronic components. Line cards we deal with include Microchip,ALPS,ROHM,Xilinx,Pulse,ON,Everlight and Freescale. Main products comprise IC,Modules,Potentiometer,IC Socket,Relay,Connector.Our parts cover such applications as commercial,industrial, and automotives areas.

We are looking forward to setting up business relationship with you and hope to provide you with the best service and solution. Let us make a better world for our industry!



## Contact us

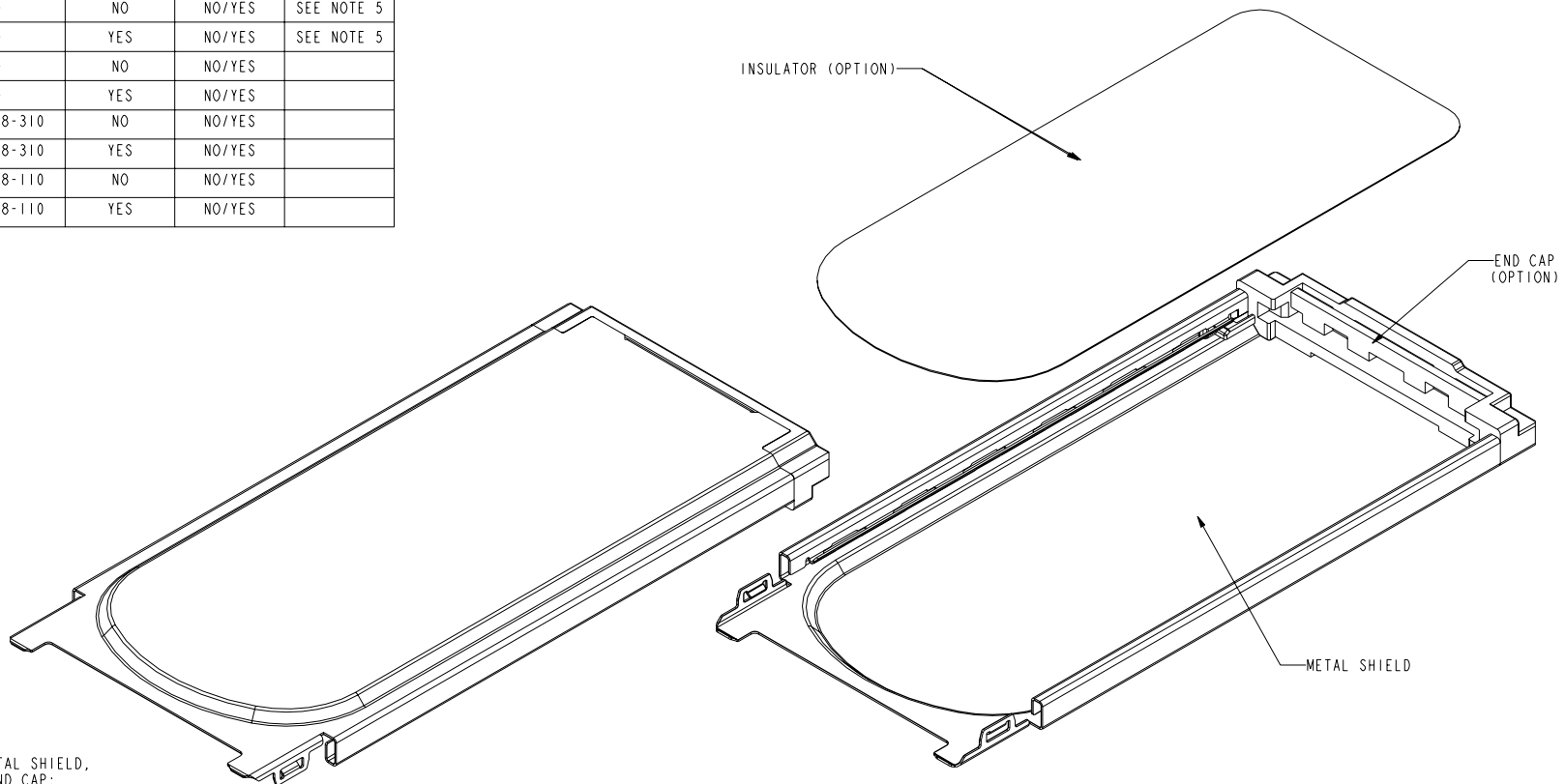
Tel: +86-755-8981 8866 Fax: +86-755-8427 6832

Email & Skype: info@chipsmall.com Web: www.chipsmall.com

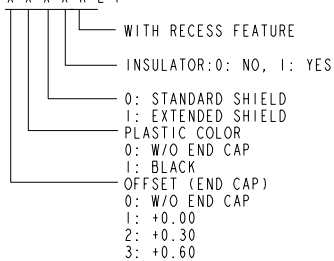
Address: A1208, Overseas Decoration Building, #122 Zhenhua RD., Futian, Shenzhen, China



PRODUCT NO.	END CAP	INSULATOR	RECESS	REMARK
10030574-2100LF/2100RLF	10030578-210	NO	NO/YES	
10030574-2101LF/2101RLF	10030578-210	YES	NO/YES	
10030574-0000LF/0000RLF	NO	NO	NO/YES	SEE NOTE 5
10030574-0001LF/0001RLF	NO	YES	NO/YES	SEE NOTE 5
10030574-0010LF/0010RLF	NO	NO	NO/YES	
10030574-0011LF/0011RLF	NO	YES	NO/YES	
10030574-3100LF/3100RLF	10030578-310	NO	NO/YES	
10030574-3101LF/3101RLF	10030578-310	YES	NO/YES	
10030574-1100LF/1100RLF	10030578-110	NO	NO/YES	
10030574-1101LF/1101RLF	10030578-110	YES	NO/YES	



- NOTES:  
 1. THIS PRODUCT CONTAINS ONE METAL SHIELD, INSULATOR AND ONE PLASTIC END CAP;  
 2. PRODUCT PERFORMANCE REFER TO GS-12-292;  
 3. PART NUMBER SCHEME:  
 10030574- X X X X R L F

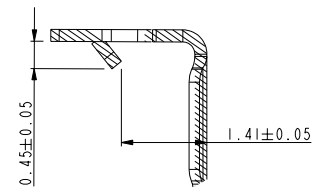
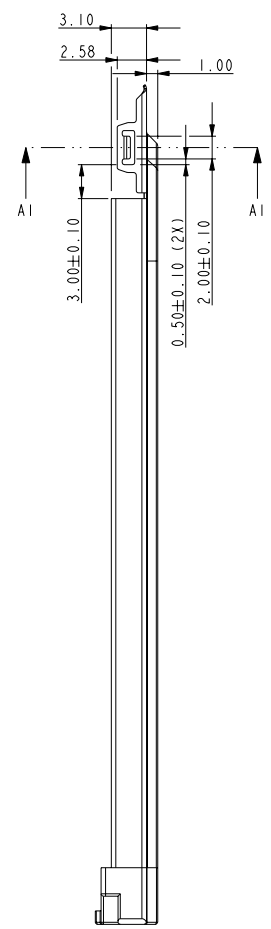
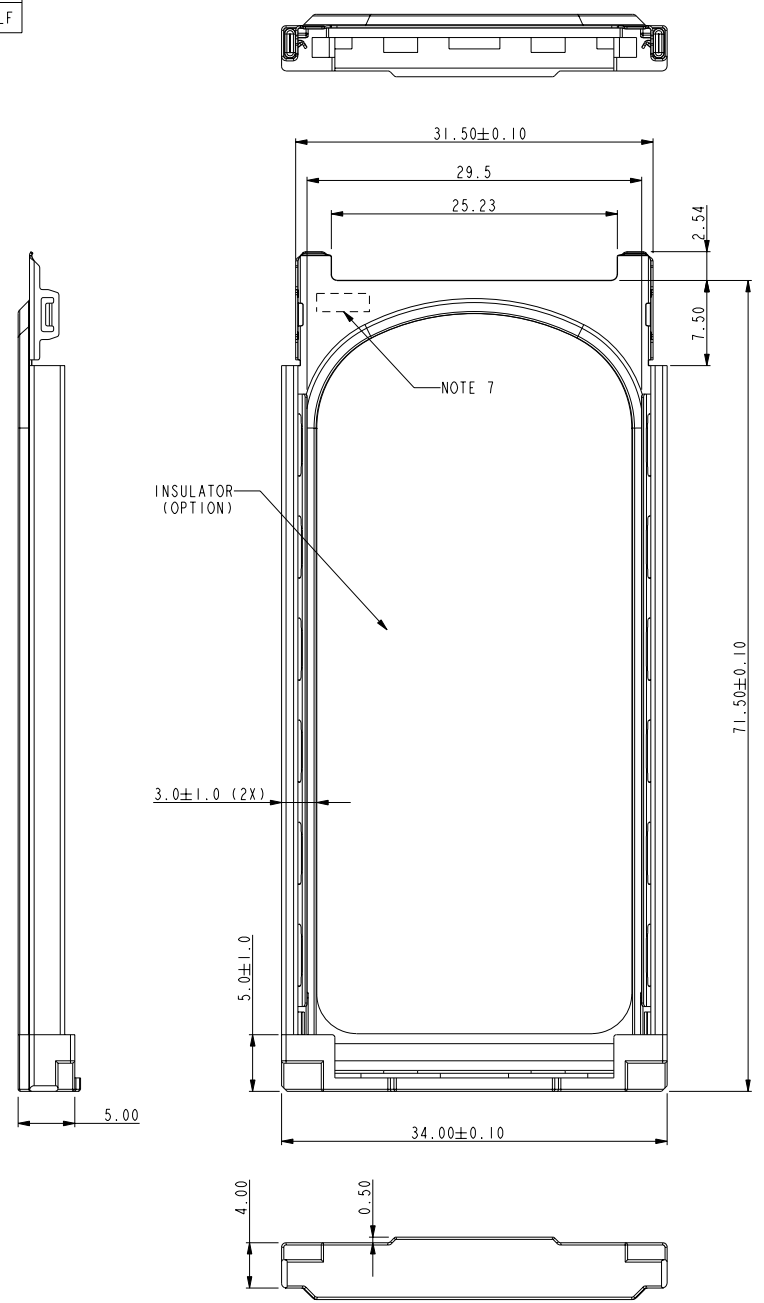


4. PACKAGING SPECIFICATION REFER TO GS-14-927;  
 5. THE P/N IS TEMPORARY FOR CUSTOMER SPECIAL REQUEST, MATING WITH END CAP IS THE RECOMMENDED PARTS;  
 6. THIS PRODUCT IS RoHS COMPLIANT, AND MEETS EUROPEAN UNION DIRECTIVES AND OTHER COUNTRY REGULATIONS AS PER GS-22-008;  
 7. DATE CODE FORMATE: WWYY (WEEK YEAR), FOR EXAMPLE, 2207 MEANS WEEK 22 AND YEAR 2007.

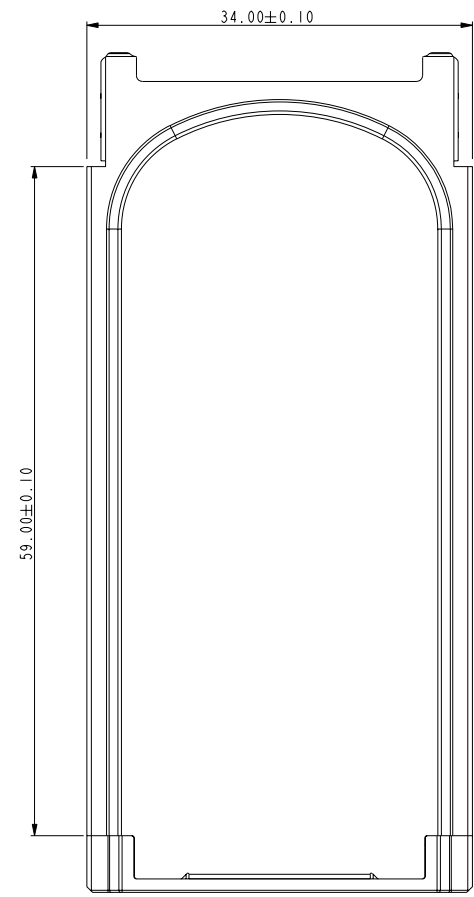
rev	ecn no	dr	date
H	N07-0201	MSH	2007-08-28
J	N08-0247	R.B	2008/11/12
-	-	-	-
-	-	-	-

www.fciconnect.com		surface <input checked="" type="checkbox"/>	tolerance std	projection	MM
		TOLERANCES UNLESS OTHERWISE SPECIFIED			
Dr	DAVID TENG	2004-10-04	ANGULAR	size	A4
Eng	DAVID TENG	2004-10-04	LINEAR	0.x	±0.30
Chr	PAUL WANG	2004-10-04	0° ±2°	0.xx	±0.15
Appr	JOSEPH HSIA	2004-10-04	Product family	0.xxx	±0.08
				ECN	N08-0247
				Spec ref	
		title		dwg no	Rev.
		BOTTOM SHIELD SUB-ASSEMBLY		10030574	J
		EXPRESSCARD/34 MODULE CARD KIT			
		catalog no	10030574	CUSTOMER	sheet 1 of 4

PRODUCT NO.  
10030574-210XLF



SECTION A1-A1



Copyright FCI.

SCALE 1.500

www.fciconnect.com			surface	tolerance std	projection	MM	
			TOLERANCES UNLESS OTHERWISE SPECIFIED		← →		
Dr	DAVID TENG	2004-10-04	ANGULAR	LINEAR	0.X	±0.30	
Eng	DAVID TENG	2004-10-04			size	A4	Scale
Chr	PAUL WANG	2004-10-04	0°	±2°	0.XXX	±0.08	
Appr	JOSEPH HSIA	2004-10-04	Product family			Spec ref	ECN N08-0247
			title BOTTOM SHIELD SUB-ASSEMBLY EXPRESSCARD/34 MODULE CARD KIT		dwg no 10030574		Rev. J
catalog no			10030574		CUSTOMER		sheet 2 of 4

REV F - 2006-04-11

3 PDM: Rev:J

STATUS Released

4 Printed: Oct 12, 2010

1

2

3

4

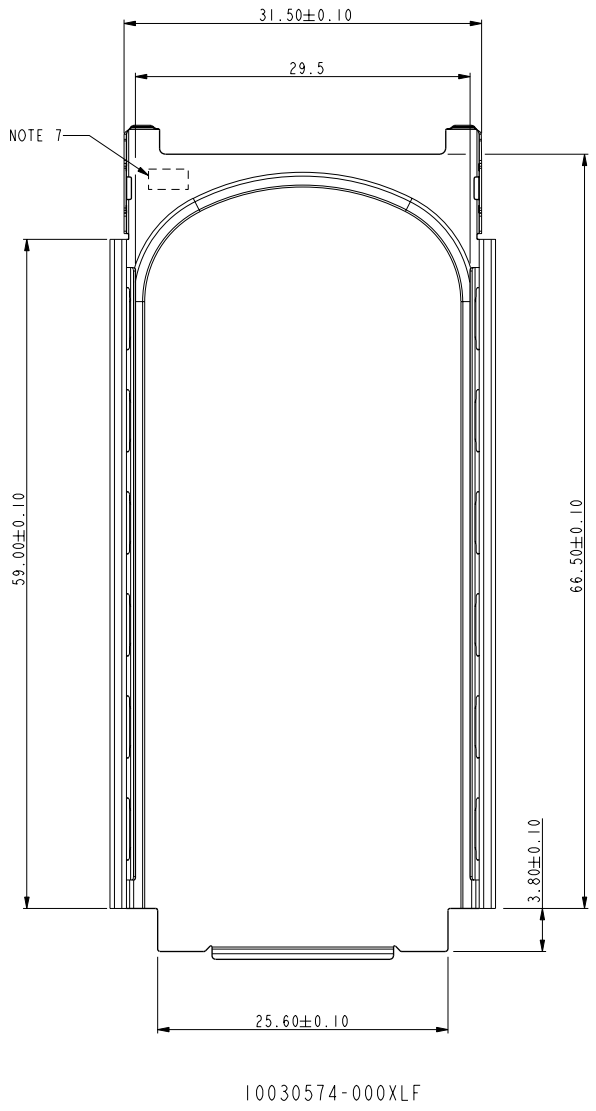
PRODUCT NO.
10030574-000XLF
10030574-001XLF

A

B

C

D



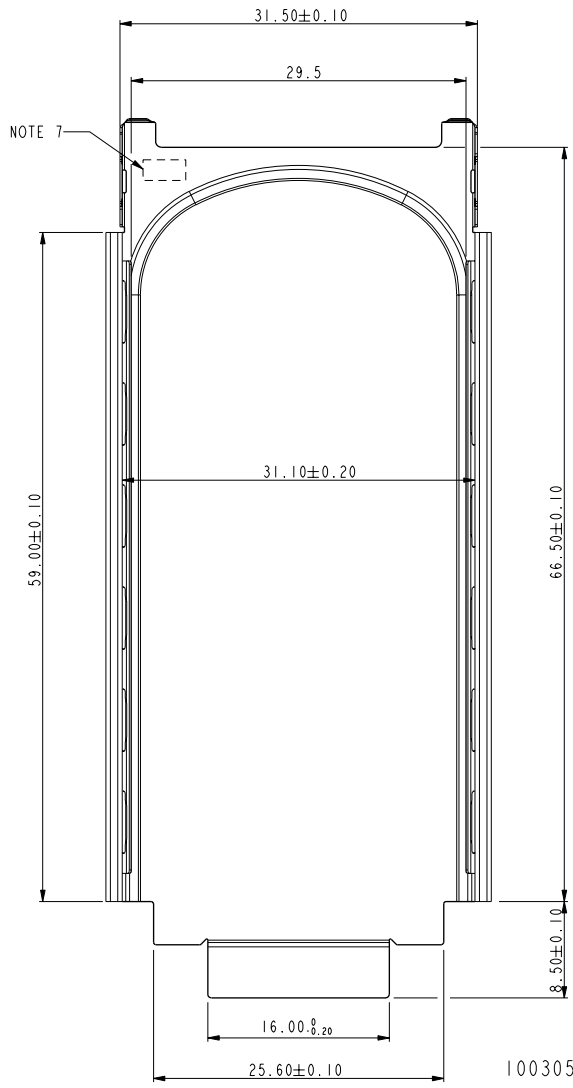
10030574-000XLF

A

B

C

D



10030574-001XLF



Copyright FCI.

www.fciconnect.com			surface <input checked="" type="checkbox"/>	tolerance std	projection	MM		
TOLERANCES UNLESS OTHERWISE SPECIFIED					← →			
Dr	DAVID TENG	2004-10-04	ANGULAR	LINEAR	0.X	±0.30	size A4	Scale 1.000
Eng	DAVID TENG	2004-10-04			0.XX	±0.15		
Chr	PAUL WANG	2004-10-04			0.XXX	±0.08		
Appr	JOSEPH HSIA	2004-10-04	Product family			Spec ref		
FCI		title BOTTOM SHIELD SUB-ASSEMBLY			dwg no 10030574		Rev. J	
		EXPRESSCARD/34 MODULE CARD KIT			CUSTOMER		sheet 3 of 4	
		catalog no 10030574						

REV F - 2006-04-11

2

3 PDM: Rev:J

STATUS Released

4 Printed: Oct 12, 2010

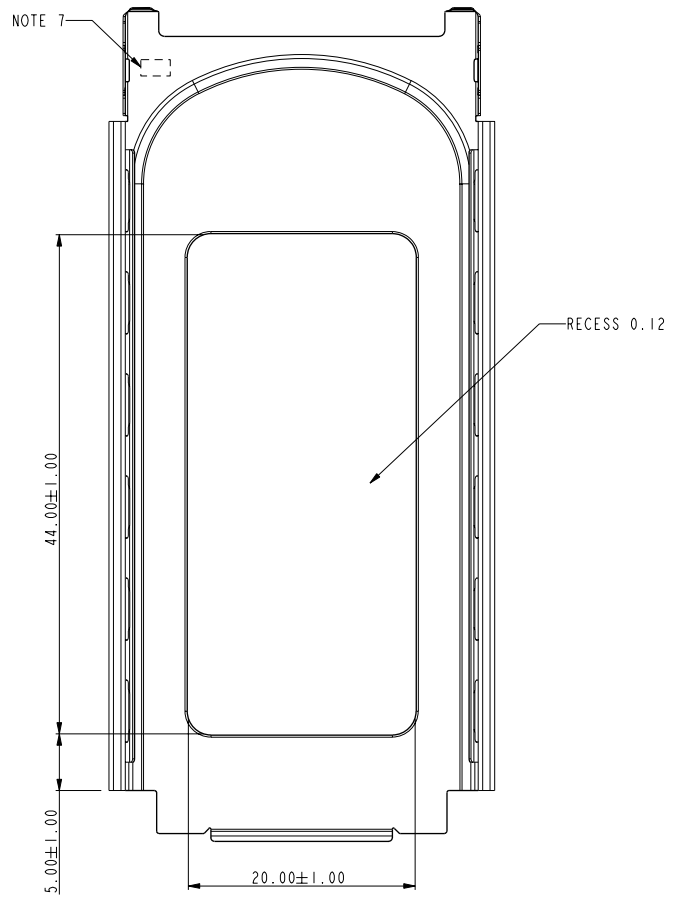
1

2

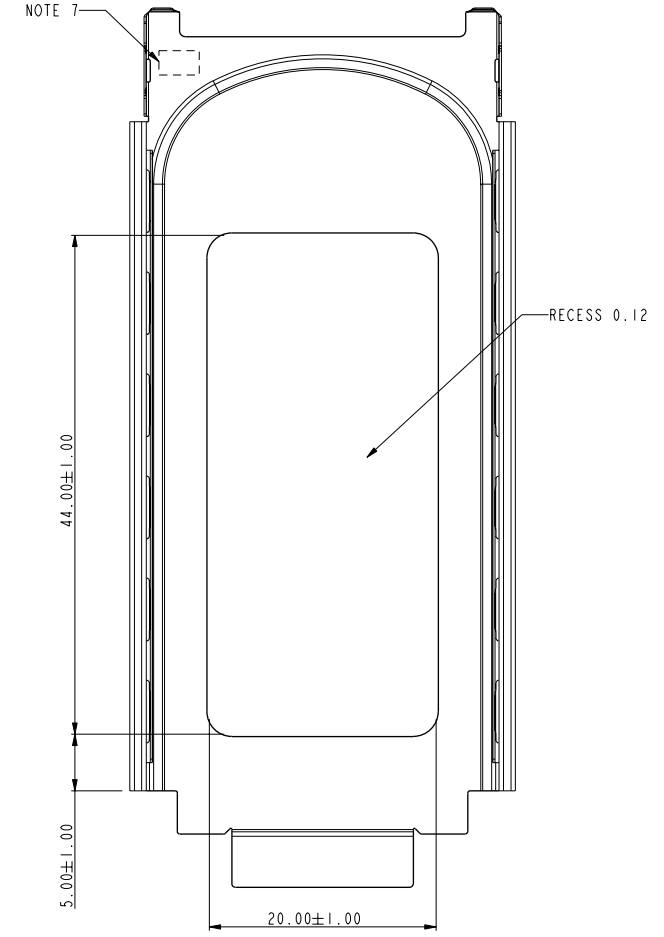
3

4

PART NUMBER
10030574-000XRLF
10030574-001XRLF



10030574-000XRLF  
 ALL FEATURE DIMENSIONS ARE SAME AS 10030574-000XLF  
 EXCEPT THE RECESS FEATURE



10030574-001XRLF  
 ALL FEATURE DIMENSIONS ARE SAME AS 10030574-001XLF  
 EXCEPT THE RECESS FEATURE



Copyright FCI.

www.fciconnect.com			surface <input checked="" type="checkbox"/>	tolerance std	projection	MM		
			TOLERANCES UNLESS OTHERWISE SPECIFIED		← →			
Dr	DAVID TENG	2004-10-04	ANGULAR	LINEAR	0.X	±0.30		
Eng	DAVID TENG	2004-10-04			0.XX	±0.15	size A4	Scale 1.000
Chr	PAUL WANG	2004-10-04			0°	±2°	0.XXX	±0.08
Appr	JOSEPH HSIA	2004-10-04	Product family			ECN N08-0247	Spec ref	
FCI		title		BOTTOM SHIELD SUB-ASSEMBLY		dwg no	10030574	
				EXPRESSCARD/34 MODULE CARD KIT				Rev.
		catalog no		10030574		CUSTOMER	sheet 4 of 4	